

Filter Cartridge Housing BECO INTEGRA® CART KHF Range

BECO INTEGRA CART cartridge housings are manufactured of stainless steel AISI 316L and can be applied within the filtration of liquids with high flow rates in Life Science applications. This series is available as 1 x 40" version. The housings are ATEX certified.

Special Features

- ATEX certified
- The application of material AISI 316L avoids corrosion even at long term use
- Especially designed for high flow rates
- Easy and fast cartridge change
- The optimized design allows thorough and fast cleaning
- Low product loss thanks to compact design
- Resistant to hot water or steam sterilization

Application

The BECO INTEGRA CART KHF cartridge housing is designed for the filtration of media of fluid group 1+2 according to Pressure Equipment Directive PED 2014/68/EU. It is installed horizontally with fixed legs, so it can be used in spaces with low ceiling height. Thanks to an optimized filtrate chamber design and a special surface treatment, the housings are very easy to clean.

The BECO INTEGRA CART KHF cartridge housings are suitable for applications with BECO PROTECT® HF HighFlow pleated depth filter cartridges.

Other versions and further components for expansion to complete systems are available on request and would be customized according to specification.

Technical Data

Max. permissible operating pressure and temperature:	Liquid: max. 145 psi (10 bar) Gas: max. 43 psi (3 bar) 14°F–302°F (-10°C–150°C)
---	--

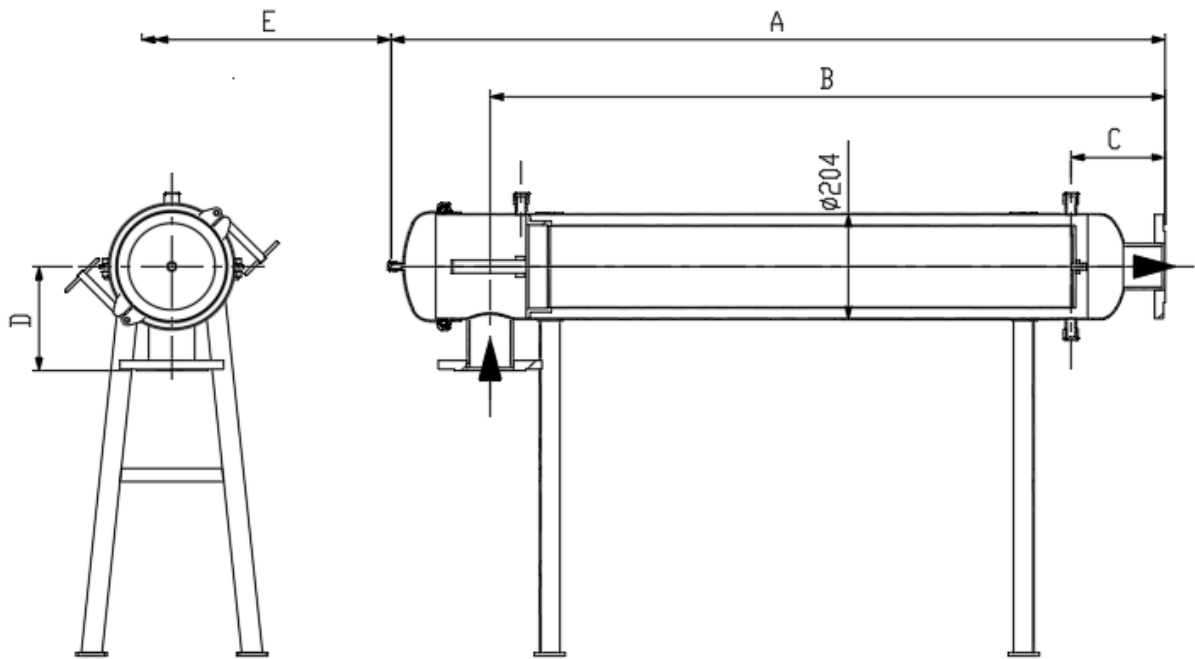


BECO INTEGRA CART KHF cartridge housing:
1 x 40" cartridge (V-clamp)

Product contacting parts:	Stainless steel AISI 316L
Gaskets:	EPDM (Silicone, Viton available upon request)
Housing suitable for:	Media of fluid group 1+2, liquid, exception: fluid group 1, explosive Media of fluid group 2, gaseous, according to PED 2014/68/EU
ATEX classification:	II 2 GD c X
Housing connection:	Flange 3" acc. to EN1092-1 PN16, (threaded male connection acc. to DIN 11851 or butt welding end on request)
Housing closure:	1 x 40": V-clamp (alternatives on request)
Vent connection:	½" BSPM
Drain:	½" BSPM
Fittings:	Vent and drain units are available at special request

Article No.	Qty	Cartr. length in	Dimensions in (mm)					Connections In-/Outlet	Volume gal (l)	Weight lb (kg)	Perm. pressure psi (bar) liquid / gaseous
			A	B	C	D	E				
KHF14UF8	1	40	59.02 (1.499)	51.26 (1302)	7.13 (181)	7.91 (201)	39.37 (1000)	3"	115 (43.5)	84.7 (38.4)	145 / 43 (10 / 3)
KHF14UG8	1	40	59.02 (1.499)	51.26 (1302)	7.13 (181)	7.91 (201)	39.37 (1000)	3"	115 (43.5)	84.7 (38.4)	145 / 43 (10 / 3)
KHF14US8	1	40	59.02 (1.499)	51.26 (1302)	7.13 (181)	7.91 (201)	39.37 (1000)	3"	115 (43.5)	84.7 (38.4)	145 / 43 (10 / 3)

BECO INTEGRA CART KHF filter cartridge housing in flange design



1x40" cartridge housing
(front view)

1x40" cartridge housing
(side view)

North America
44 Apple Street
Tinton Falls, NJ 07724
Toll Free: 800 656-3344
(North America only)
Tel: +1 732 212-4700

Europe/Africa/Middle East
Auf der Heide 2
53947 Nettersheim, Germany
Tel: +49 2486 809-0

Friedensstraße 41
68804 Altlußheim, Germany
Tel: +49 6205 2094-0

An den Nahewiesen 24
55450 Langenlonsheim, Germany
Tel: +49 6704 204-0

China
No. 3, Lane 280,
Linhong Road
Changning District, 200335
Shanghai, P.R. China
Tel: +86 21 5200-0099

Singapore
100G Pasir Panjang Road #07-08
Singapore 118523
Tel: +65 6825-1668

Brazil
Av. Ermano Marchetti, 1435 -
Água Branca, São Paulo - SP,
05038-001, Brazil
Tel: +55 11 3616-8461

**For more information, please
email us at filtration@eaton.com
or visit www.eaton.com/filtration**

EN
1 A 7.2.8
06-2020

© 2020 Eaton. All rights reserved. All trademarks and registered trademarks are the property of their respective owners. All information and recommendations appearing in this brochure concerning the use of products described herein are based on tests believed to be reliable. However, it is the user's responsibility to determine the suitability for his own use of such products. Since the actual use by others is beyond our control, no guarantee, expressed or implied, is made by Eaton as to the effects of such use or the results to be obtained. Eaton assumes no liability arising out of the use by others of such products. Nor is the information herein to be construed as absolutely complete, since additional information may be necessary or desirable when particular or exceptional conditions or circumstances exist or because of applicable laws or government regulations.



Powering Business Worldwide