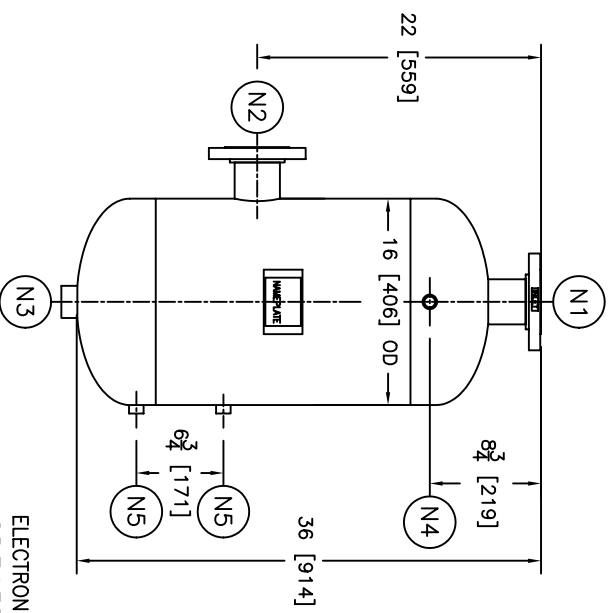
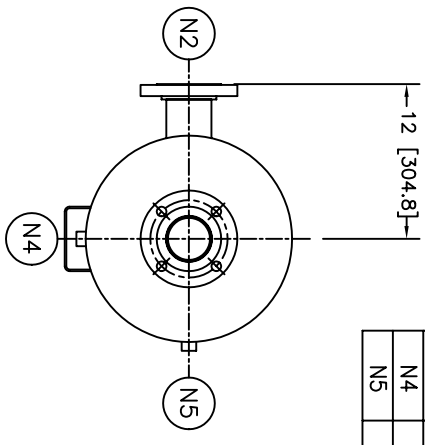


NOZZLE SCHEDULE			
ITEM	QTY.	NAME	DESCRIPTION
N1	1	INLET	3" - 150# RF50 ASME B16.5
N2	1	OUTLET	3" - 150# RF50 ASME B16.5
N3	1	DRAIN	1-1/2" NPT 3000# COUPLING
N4	1	VENT	1/2" NPT 3000# COUPLING
N5	2	WATER GAGE	1/2" NPT 3000# COUPLING

REV	DATE	CHANGE	ECR	BY	APP
A	11/25/03	NEW ISSUE	B894	LH	VA
B	11/1/05	REVISED TITLE BLOCK	D507	FM	LH




NOTES:

- UNITS ARE TO BE DESIGNED & FABRICATED (BUT NOT STAMPED) IN ACCORDANCE WITH ASME B & PV CODE, SECTION VIII, DIVISION 1 IN COMPLIANCE TO CURRENT PUBLISHED ADDENDA.
- ALL DIMENSIONS ARE IN INCHES / [MM].
- ALL BOLT HOLES ARE TO STRADDLE NATURAL CENTERLINES.
- SHIPPING WEIGHT: 200 POUNDS.
- DESIGN DATA:
- DESIGN PRESSURE- 150 PSIG
- DESIGN TEMPERATURE- 300° F
- MIN. DESIGN METAL TEMP.- -20° F @ 150 PSIG
- HYDROTEST PRESSURE- 206 PSIG
- CORROSION ALLOWANCE- 0 INCHES
- MATERIAL: 304 STAINLESS STEEL.

CUSTOMER: -
REG. NO.: -
P.O. NO.: -
TAG NO.: -
PART NO.: 315R150S/U/M

ELECTRONIC FILE NAME:
SD315R150S.DWG
TOLERANCES UNLESS OTHERWISE SPECIFIED
PER ENGINEERING STANDARD ES--

UNAUTHORIZED USE, MANUFACTURE OR REPRODUCTION IN WHOLE OR IN PART IS PROHIBITED. DRAWING, DESIGN AND OTHER DISCLOSURES PROPERTY OF EATON FILTRATION, LLC

		EATON FILTRATION, LLC 900 FAIRMOUNT AVENUE, ELIZABETH, NEW JERSEY 07207					
		NAME 3" TYPE "15-R" GAS / LIQUID SEPARATOR, 150# FLG, 304SS					
DRAWN	LH	DATE	11/24/03	CHECKED	FM	DATE	11/25/03
APP	VA	DATE	11/25/03	SCALE	1/16	ECR	B894
SIZE	A	DWG NO		SD315R150S		REV	B