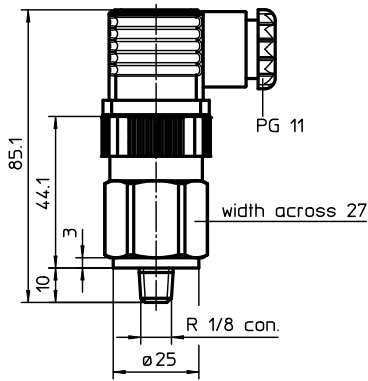


CLOGGING INDICATOR

Series E (electrical), O (visual)

Sheet No.
1616 P



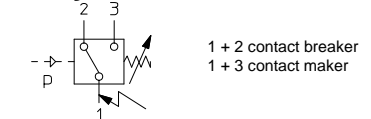
1. Type index: (ordering example)

E2.0,3.P = pressure switch, contact maker and contact breaker, switching pressure 0,3 bar
 E2.1,5.P = pressure switch, contact maker and contact breaker, switching pressure 1,5 bar
 E2.2,5.P = pressure switch, contact maker and contact breaker, switching pressure 2,5 bar

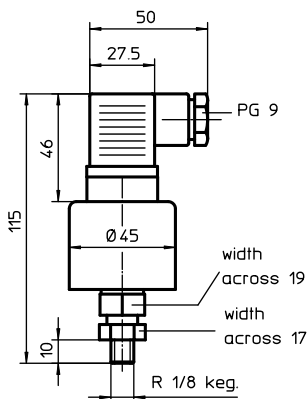
2. Technical data:

max. pressure to 100 bar
 temperature range: -20°C to +80°C
 max. contact load: max.250 V ≅ /3A
 sealing material: nitrile (NBR)
 protection: IP 65
 plug-in connector: DIN 43650A

3. Symbol:



The functions contact making, contact breaking or contact making and breaking refer to the increasing pressure.



1. Type index: (ordering example)

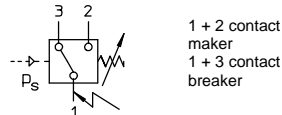
E4.-0,25.P = pressure switch, contact maker and contact breaker, switching pressure -0,25 bar

2. Technical data:

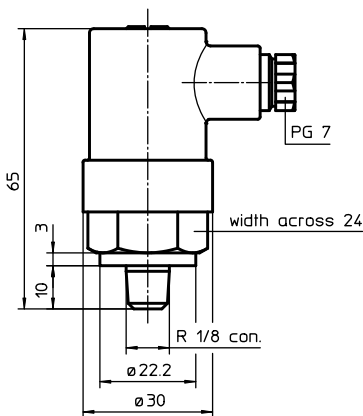
max. pressure to 80 bar
 temperature range: -20°C to +80°C
 max. contact load: max.250 V ≅ /5A
 sealing material: nitrile (NBR)
 protection: IP 65

For the electrical connection please use only enclosed utensil socket. Other utensil sockets have a longer fixing screw which can destroy the inside micro switch. The screw of an available utensil socket should have a max. thread reach of 28 mm. Do not forget the shaped packing by sticking up the utensil and tighten the fixing screw moderately.

3. Symbol:



The functions contact making, contact breaking or contact making and breaking refer to the increasing pressure (0 bar → -0,25 bar).



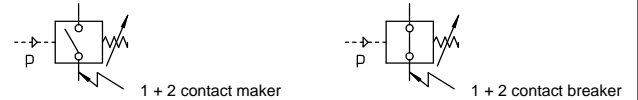
1. Type index: (ordering example)

E1.1,5.P = pressure switch, contact maker, switching pressure 1,5 bar
 E1.2,5.P = pressure switch, contact maker, switching pressure 2,5 bar
 E5.1,5.P = pressure switch, contact breaker, switching pressure 1,5 bar
 E5.2,5.P = pressure switch, contact breaker, switching pressure 2,5 bar
 E5.5,0.P = pressure switch, contact breaker, switching pressure 5,0 bar

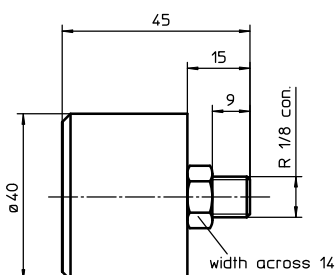
2. Technical data:

max. pressure to 300 bar
 temperature range: -20°C to +100°C
 max. contact load: max.250 V ≅ /0,5A
 sealing material: nitrile (NBR)
 protection: IP 65

3. Symbol:



The function contact making or contact breaking refer to the increasing pressure.



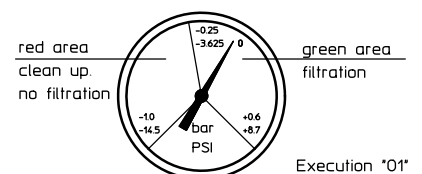
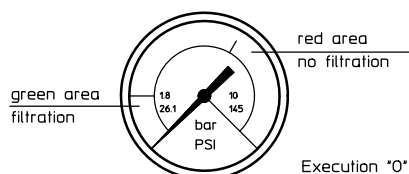
1. Type index: (ordering example)

O = clogging indicator visual, 0 to 10 bar
 O1 = clogging indicator visual, + 0,6 bar to -1,0 bar

2. Technical data:

temperature range: -20°C to +80°C

3. Symbol:



Execution "0"

Execution "*0"

EDV 10/17

Changes of measures and design are subject to alteration!