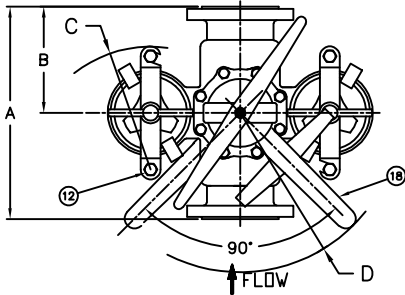
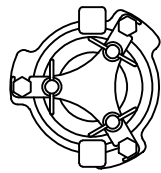
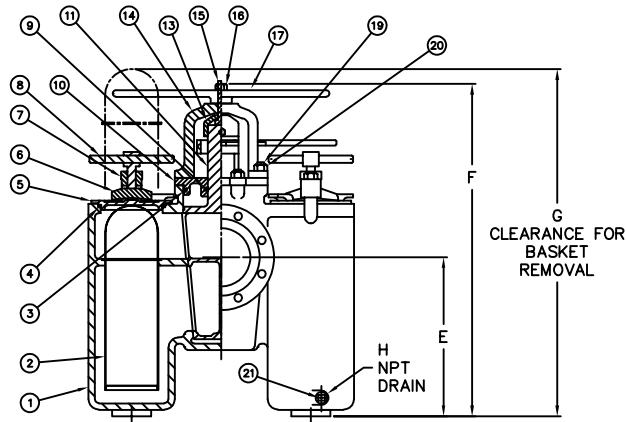


PIPE SIZE (NOMINAL)	DIMENSIONS												WEIGHT		PART NO.										
	A		B		C		D		E		F		G			H (NOM.)		J		K		L		LBS.	KGS.
IN.	MM.	IN.	MM.	IN.	MM.	IN.	MM.	IN.	MM.	IN.	MM.	IN.	MM.	IN.	MM.	IN.	MM.	IN.	MM.	IN.	MM.				
6" (150mm)	22.00	/ 559	12.88	/ 327	11.75	/ 298	19.75	/ 502	18.50	/ 470	35.00	/ 889	42.00	/ 1067	3/8	/ 10	20.75	/ 527	0.63	/ 16	12.50	/ 318	615	/ 279	ST0500600R22C
8" (200mm)	25.00	/ 635	14.00	/ 356	--	/ --	28.00	/ 711	22.44	/ 570	50.00	/ 1270	56.00	/ 1422	1/2	/ 15	30.75	/ 781	0.88	/ 22	17.00	/ 432	1670	/ 757	ST0500800R22C

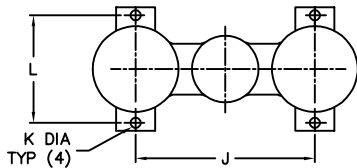


NOTES:

1. INLET/OUTLET FLANGE CONNECTIONS PER ASME B16.5.
2. SIZE 6" USE COVER CLAMP (ITEM 6).
3. MAX. WORKING PRESSURE: 6" SIZE.
200 PSI @ 100°F (13.8 BAR @ 37.8°C)
MAX. WORKING PRESSURE: 8" SIZE.
150 PSI @ 100°F (10.3 BAR @ 37.8°C)



8" COVER & YOKE DETAIL



REV	DESCRIPTION	BY	DATE
G	UPDATED TITLE BLOCK	S. PATIL	0112361 7/22/2015
-	NEW RELEASE	FM	D507 11/1/2005

REVISIONS

CUSTOMER INFO	
NAME	
P.O. NO.	
TAG NO.	
S.O. NO.	
PART NO.	

ITEM	PART NUMBER	MATERIAL
21	DRAIN PLUG	STAINLESS STEEL
20	BONNET STUD NUT	CARBON STEEL
19	BONNET STUD	ALLOY STEEL
18	TURNING HANDLE	DUCTILE IRON
17	LIFTING HANDLE	DUCTILE IRON
16	JACKSCREW NUT	CARBON STEEL
15	JACKSCREW	STEEL
14	JACK BONNET	DUCTILE IRON
13	JACK COLLAR	DUCTILE IRON
12	YOKE STUD	STEEL
11	DIVERTER PLUG	SSTL ASTM A351 GR. CF8M
10	BONNET	SSTL ASTM A351 GR. CF8M
9	O-RING	VITON
8	YOKE SCREW AND PIN ASSY	CARBON STEEL
7	YOKE	DUCTILE IRON
6	COVER CLAMP	DUCTILE IRON
5	COVER	SSTL ASTM A351 GR. CF8M
4	O-RING	VITON
3	O-RING (SIZE - 6") GASKET (SIZE - 8")	VITON NON-ASBESTOS
2	BASKET PERF. DIA. MESH	
1	BODY	SSTL ASTM A351 GR. CF8M

PART LIST FOR:

DRAWN BY FM	HYDRAULICS GROUP
SCALE AS DRAWN	FILTRATION DIVISION
RESTRICTION RESTRICTED	GALESBURG, MICHIGAN, USA • TINTON FALLS, NEW JERSEY, USA
SHEET 1 OF 1	TITLE MODEL 50 DUPLEX STRAINER 150# RAISED FACE FLANGE SIZES 6" & 8" STAINLESS STEEL
PROJECTION THIRD ANGLE	DATE 1/31/94
	SIZE A
	DWG FILENAME SD051094
	REV G

FATON CORPORATION - CONFIDENTIAL AND PROPRIETARY NOTICE TO PERSONS RECEIVING THIS DRAWING AND/OR TECHNICAL INFORMATION
THIS DOCUMENT, INCLUDING THE DESIGN AND INFORMATION CONTAINED HEREIN IS CONFIDENTIAL AND IS THE EXCLUSIVE PROPERTY OF FATON AT ALL TIMES. BY TRANSFER OF POSSESSION OF THIS DOCUMENT THE RECIPIENT ACKNOWLEDGES AND AGREES THAT THIS DOCUMENT CANNOT BE USED IN ANY MANNER IN VIOLATION OF THE INTERESTS OF FATON AND THAT NO PORTION OF THIS DRAWING MAY BE COPIED OR OTHERWISE REPRODUCED WITHOUT THE PRIOR WRITTEN CONSENT OF FATON. IN THE CASE OF CONTRACTING ORGANIZATION, PROVISIONS OF THIS NOTICE SHALL GOVERN THE STATUS OF THIS DOCUMENT.
©2015 FATON CORPORATION - ALL RIGHTS RESERVED.