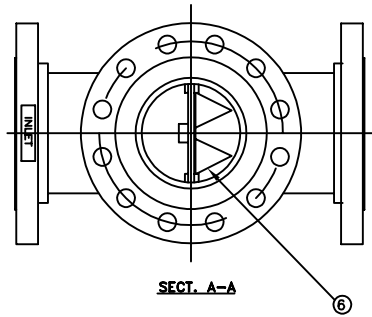
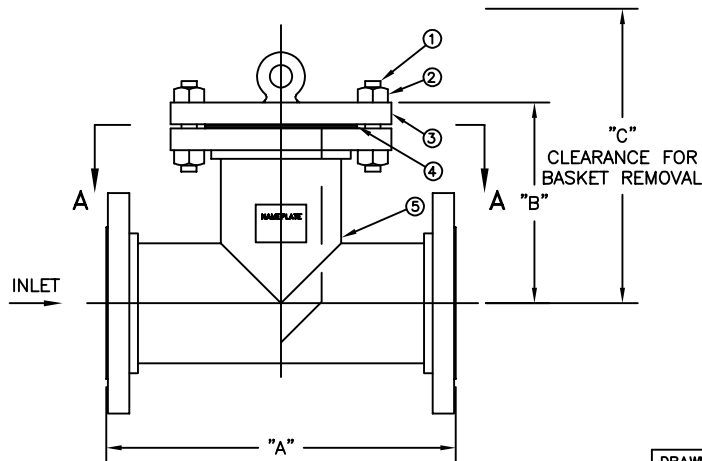


PIPE SIZE (NOMINAL)	DIMENSIONS			APPROX. WEIGHT (DRY)		PART NO.
	"A" IN. (MM)	"B" IN. (MM)	"C" IN. (MM)	LBS. (KGS)		
14 (350mm)	32.00 / 813	17.50 / 445	42.00 / 1067	660 / 299.4		ST091140BR3BA
16 (400mm)	34.00 / 864	18.56 / 471	45.00 / 1143	820 / 371.9		ST091160BR3BA
18 (450mm)	38.00 / 965	20.75 / 527	50.00 / 1270	1015 / 460.4		ST091180BR3BA
20 (500mm)	41.38 / 1051	22.50 / 572	55.00 / 1397	1235 / 560.2		ST091200BR3BA
24 (600mm)	46.00 / 1168	25.00 / 635	62.00 / 1575	1875 / 850.5		ST091240BR3BA

REVISIONS				
REV	DESCRIPTION	BY	ECO	DATE
C	UPDATE TITLE BLOCK	FM	0104921	11/24/2014


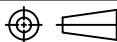


NO.	PART NAME	MATERIAL
1	STUDS	ASTM A193 GR. B7
2	NUTS	ASTM A194 GR. 2H
3	COVER	CARBON STEEL
4	GASKET	NON-ASBESTOS
5	BODY	CARBON STEEL
6	BASKET	316 SSSL
	PERF. / MESH	



NOTES:

1. STRAINER IS DESIGNED AND FABRICATED IN ACCORDANCE WITH ASME B31.1 POWER PIPING CODE.
2. ALL DIMENSIONS ON IN INCHES / MM.
3. ALL FITTINGS CONFORM TO ASME STANDARD.
4. DESIGN PRESSURE: 150 PSIG @ 150°F
(10.3 BAR @ 65.6°C)

DRAWN BY FM		 HYDRAULICS GROUP FILTRATION DIVISION GALESBURG, MICHIGAN, USA • TINTON FALLS, NEW JERSEY, USA			
SCALE AS DRAWN					
RESTRICTION RESTRICTED		TITLE MODEL 91 TEE STRAINER BOLTED COVER SIZES 14" TO 24" 150#RF FLANGE CARBON STEEL			
SHEET 1 OF 1		DATE 11/5/97	SIZE A	DWG FILENAME SD091BC7	REV C
PROJECTION THIRD ANGLE 		<small>EATON CORPORATION - CONFIDENTIAL AND PROPRIETARY NOTICE TO PERSONS RECEIVING THIS DRAWING AND/OR TECHNICAL INFORMATION THIS DOCUMENT, INCLUDING THE DRAWING AND INFORMATION CONTAINED THEREON IS CONFIDENTIAL AND IS THE EXCLUSIVE PROPERTY OF EATON AT ANY TIME. BY TAKING THE POSSESSION OF THIS DOCUMENT THE RECIPIENT ACKNOWLEDGES AND AGREES THAT THIS DOCUMENT CANNOT BE USED IN ANY MANNER ADVERSE TO THE INTEREST OF EATON AND THAT NO PORTION OF THIS DRAWING MAY BE COPIED OR OTHERWISE REPRODUCED WITHOUT THE PRIOR WRITTEN CONSENT OF EATON, IN THE CASE OF CONFLICTING CONTRACTUAL PROVISIONS, THIS NOTICE SHALL GOVERN THE STATUS OF THIS DOCUMENT. 2014 EATON CORPORATION - ALL RIGHTS RESERVED.</small>			
CUSTOMER INFO					
NAME					
P.O. NO.					
TAG NO.					
S.O. NO.					
PART NO.	SEE TABLE				