

DOT 406 and 407 Compliant

In August of 1995 the Department of Transportation (DOT) made several changes in the over-the-road tanker specification. Portions of the specification now cover aviation refuelers. DOT 406 and 407 require that all vents and pressure relief devices shall not leak more than one liter of product in the event of a rollover. Tanks used on aircraft refuelers, until recently, have not been able to comply. The main reason for the non-compliance was that the vents were outward opening vents, which were susceptible to opening when a positive head of fuel would be applied to the poppet in the event of a rollover.

Eaton's Carter product line offers Model 64168 3-inch Mechanically Operated Inward Opening Vent that is in compliance with DOT 406 and 407. In the event of a rollover, the more head pressure the poppet of the vent is subjected to, the greater the sealing capability.

Model 64168 is opened mechanically by a rod connected to the bottom loading valve (Eaton Bottom Loading Valve Models 64129, 64174 or equivalent).

Features

- Full 3-inch flow capability
- Vapor hood — standard
- Fire screen — standard
- Buna N (nitrile) seals standard, Viton optional
- Fits standard 3-inch TTMA sump mounting ring

Ordering Data

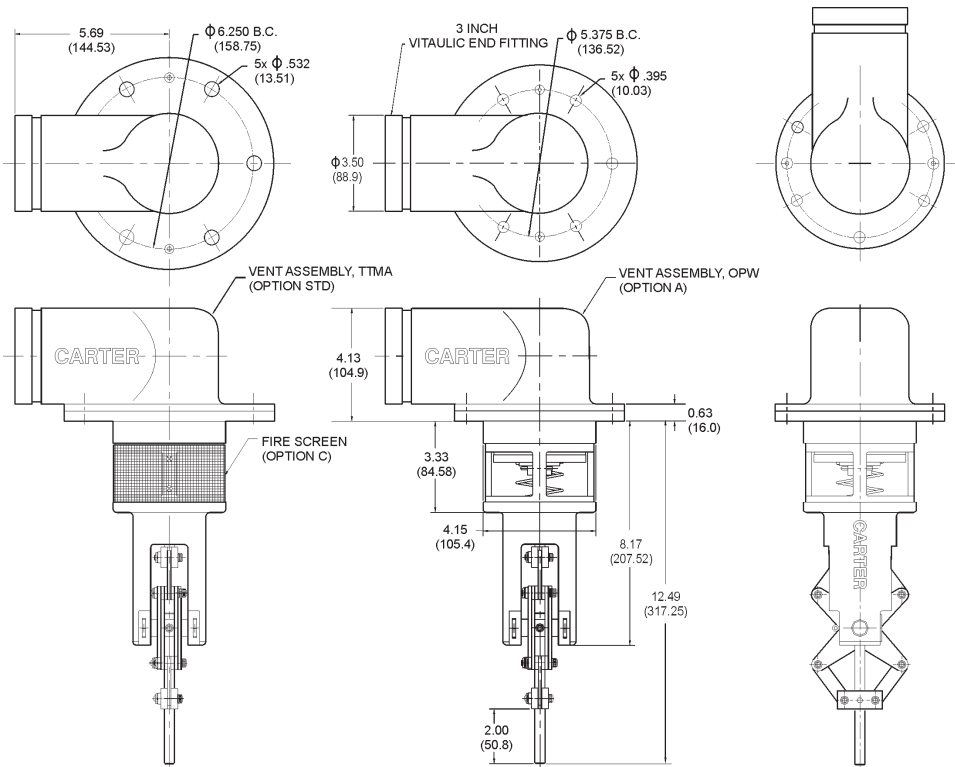
Model 64168 3-inch vent comes standard with a mounting flange to mate to a standard 3-inch TTMA sump ring, a fire screen and an aluminum vapor hood. The options shown below may be added to the basic 64168 model number to obtain desired features.

Option Letter	Description
A	Replaces standard hood with an aluminum hood to mate with OPW 5.375 inch (136.52 mm) dia. bolt circle with 6 holes .395 inch (10.03 mm) dia.
B	Replaces standard hood with 4-inch TTMA sump flange
D	Changes all seals from nitrile to Viton
E	Adjustable vent rod, aluminum tube to be provided by the customer

Example: 64168D — 3-inch vent with standard vapor hood, fire screen and Viton seals

Envelope Dimensions

Shown in inches (millimeters)



Eaton
 Aerospace Group
 Fuel & Electrical Distribution Division
 9650 Jeronimo Road
 Irvine, CA 92618
 Phone: (949) 452 9500
 Fax: (949) 452 9992
 E-mail: groundfueling@eaton.com
www.eaton.com/aerospace

Copyright © 2013 Eaton
 All Rights Reserved
 Form No. DS100-104C
 May 2013