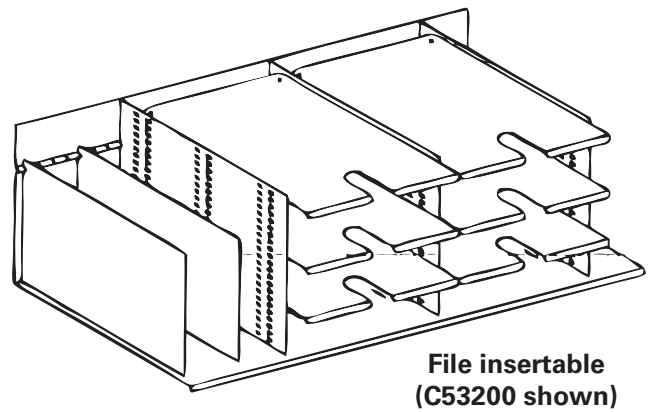


Adjustable organizer

Please read these instructions carefully and follow the installation steps in sequence.

1. Attach bumpers to each corner of the underside of base shelf (see figure 1).
2. Shelf supports fit into the slots in the bottom and rear of the base shelf. After determining where you wish to place horizontal shelves, insert one shelf support into the base shelf (see figure 2).
3. Locate the locking shelf (this shelf has vertical tabs). Insert the tabs into the shelf support loops (see figure 3). Using the locking shelf as a guide, install a second shelf support (See figure 3).

NOTE: The locking shelf can be installed anywhere in a shelf stack, but should be located near the top.



Base shelf

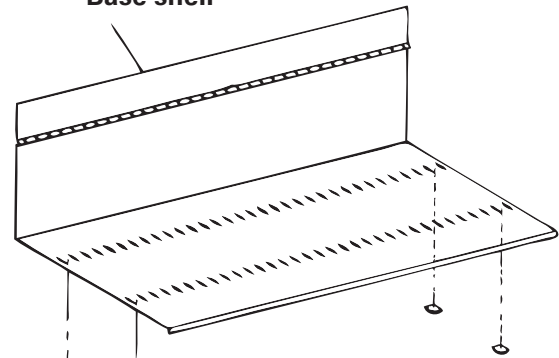


Figure 1

Bumpers

Locking shelf

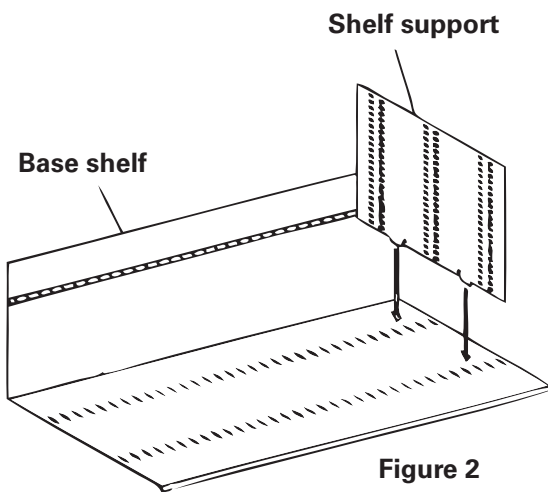
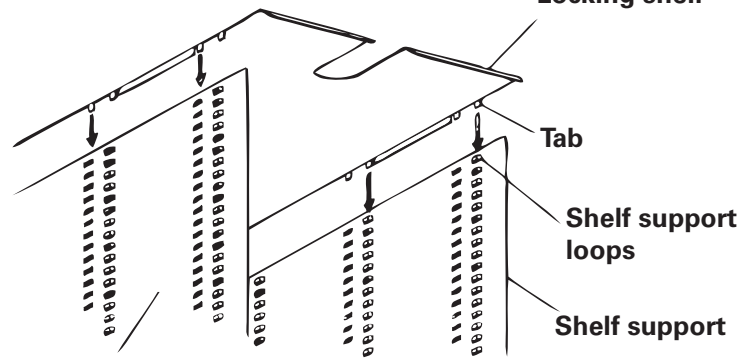


Figure 2



Second shelf support

Figure 3



Powering Business Worldwide

4. Horizontal shelves can now be installed at ½" intervals, either level or tilted (see figure 4).

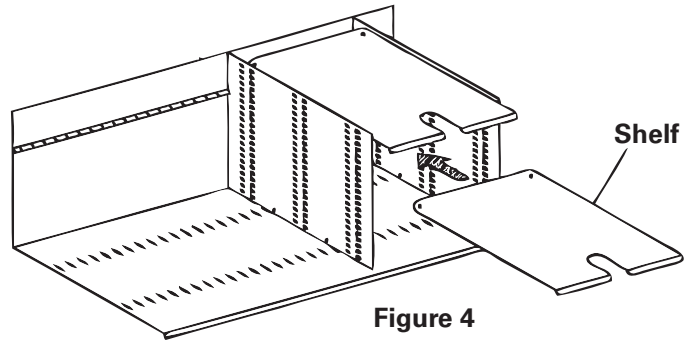


Figure 4

5. Dividers (C53200 only) may be installed in two different ways, either as a rigid upright or a "wobble block". For use as a rigid upright, insert Divider into the base and rear slot (see figure 5a), or reversed for a "wobble block" (see figure 5b).

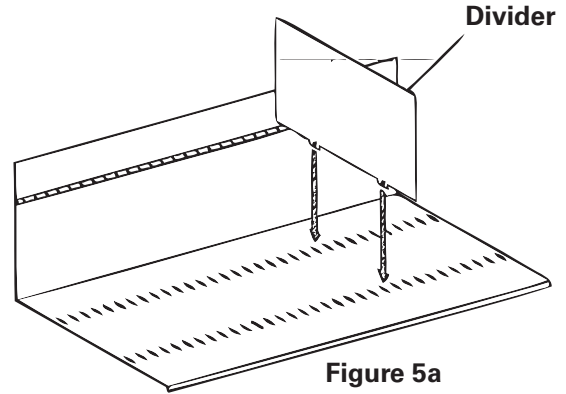


Figure 5a

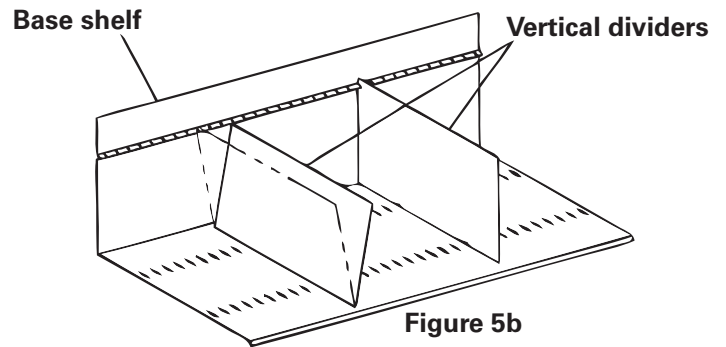


Figure 5b

Replacements parts list

Part no.	Description	Quantity/Unit	
		C53200	C53400
1 81082	Base shelf	1	1
2 81083	Shelf support	3	4
3 81084	Divider	3	N/A
4 81085	Shelf 10" reg.	N/A	2
5 81086	Shelf 10" locking	N/A	1
6 81087	Shelf 11" reg.	4	4
7 81088	Shelf 10" locking	2	2
8 81090	Bumper	6	6

Eaton
 1000 Eaton Boulevard
 Cleveland, OH 44122
 United States
 Eaton.com

© 2018 Eaton
 All Rights Reserved
 Printed in USA
 Publication No. IL210009EN
 April 2018

Eaton is a registered trademark.

All trademarks are property of their respective owners.