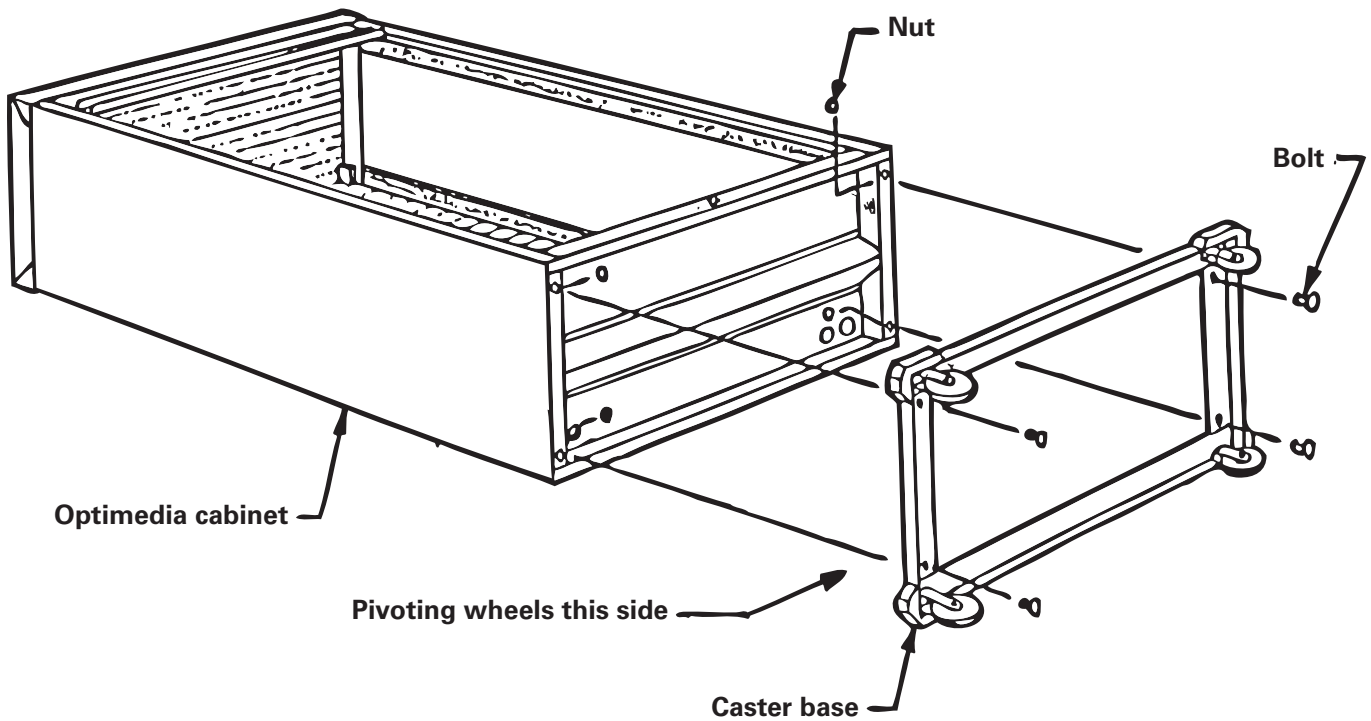


Optimedia caster base

Read instructions fully. The only tool required is a Phillips head screwdriver.

1. Open cabinet door. Carefully lay cabinet on it's back. Remove the 4 1" dia. plastic guides.
2. Position base against cabinet. Use 1/4-20 nuts and bolts. Make certain pivoting wheels are positioned as shown.
3. Place cabinet in upright position.



Eaton
1000 Eaton Boulevard
Cleveland, OH 44122
United States
Eaton.com

© 2018 Eaton
All Rights Reserved
Printed in USA
Publication No. 1L210008EN
April 2018

Eaton is a registered trademark.

All trademarks are property
of their respective owners.