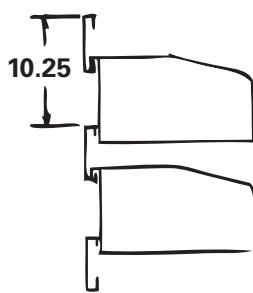


Data box hanger rail

Please read these instructions carefully and follow the installations steps in sequence.

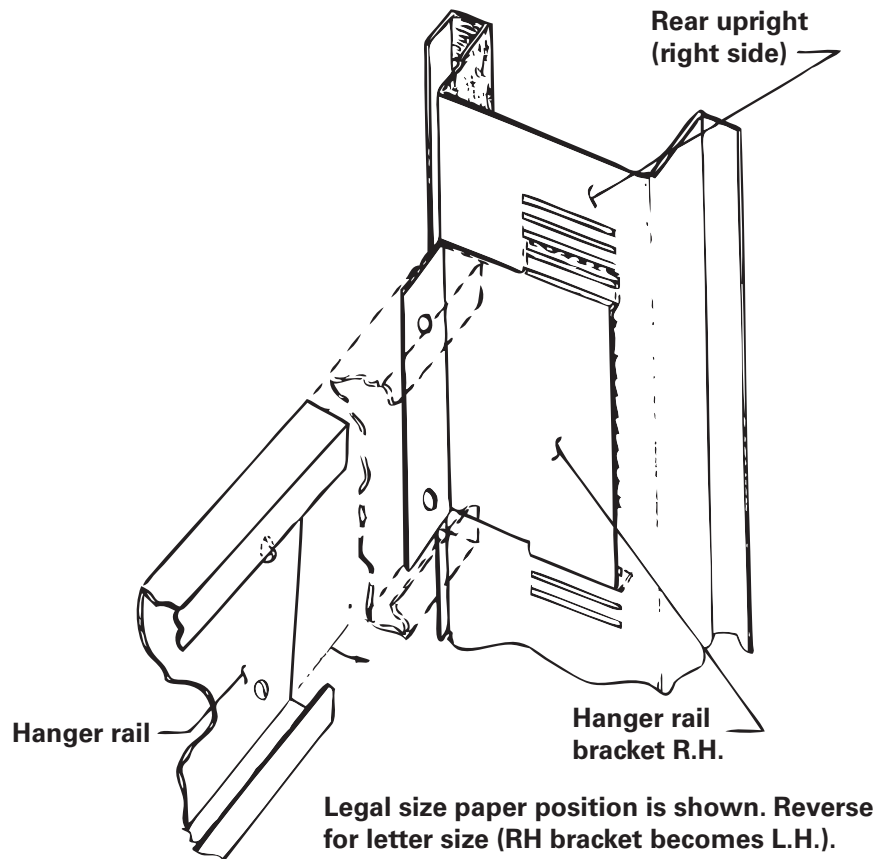
1. Position first hanger rail brackets at the highest desired position
2. Slide the hanger rail behind the brackets from above or below which ever is most convenient.
3. Hook the top of the hanger rail over the bracket and swing the bottom in.
4. Attach with the (4) 10-24 screws provided.



Multiple level spacing



Single or bottom level



Attachment is with (2) screws at each end

Eaton
1000 Eaton Boulevard
Cleveland, OH 44122
United States
Eaton.com

© 2018 Eaton
All Rights Reserved
Printed in USA
Publication No. 1L210010EN
April 2018

Eaton is a registered trademark.

All trademarks are property of their respective owners.