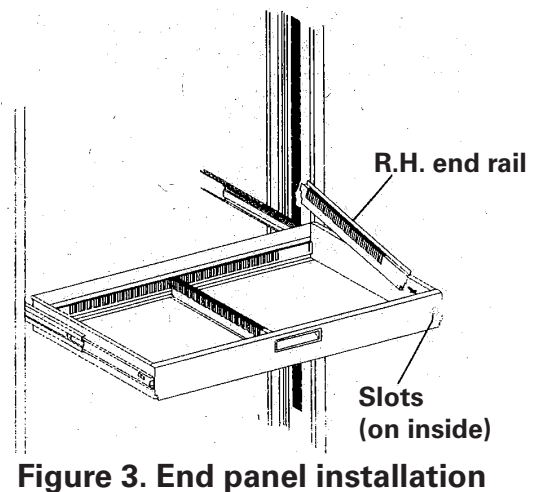
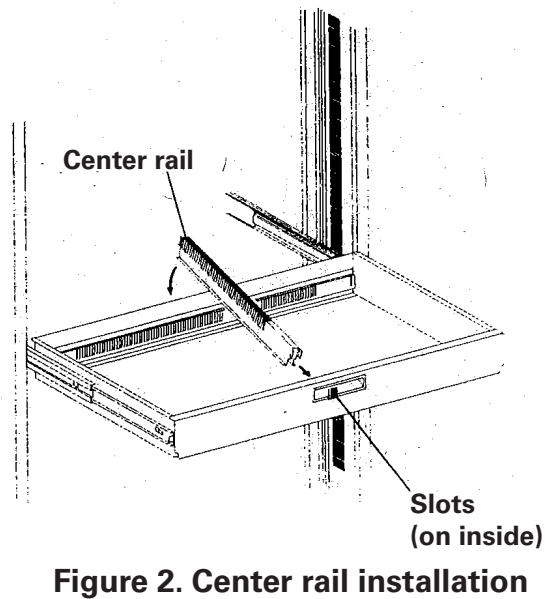
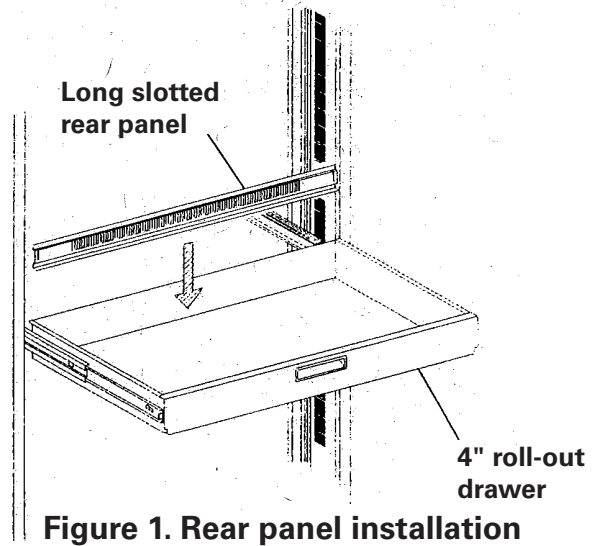


4 Rail divider kit

Please read these instructions carefully and follow the installation steps in sequence.

The 3 rail divider kit installs into a 4" roll-out drawer with a front or a 6" drawer. (You must order a UM91-FP Slotted Front Panel if using the divider kit in a 6" drawer.)

1. Pull the roll-out drawer all the way out (see Figure 1.) Place the long slotted rear panel to the rear of the drawer (no attachment is required).
2. Install center rail as shown in Figure 2, positioning it in middle of drawer by inserting the tabs into the front slotted panel first, then into the rear panel. When installed the space on either side should be approximately 15 $\frac{7}{8}$ ".
3. Install R.H. end rail to the far R.H. side of the drawer (see Figure 3). Insert the tab at the front of the rail in to the single slot at the far right front of the drawer, then insert the rear of the rail in to the far right slot in the rear panel. Repeat the instructions to install the L.H. end rail on the far L.H. side of the drawer.



Powering Business Worldwide

4. Install adjustable compressor on each rail as shown in Figure 4.
5. Install the first rail with its compressor into the rear slots of the center rail and either the L.H. or R.H. end rail. The compressor should be facing the front of the drawer (see Figure 5).
6. Place media in the drawer in front of the rail and adjust the compressor to contain it.
7. Install the second rail in front of the media, allowing some clearance between the media and the back of the rail (see Figure 5). Install remaining rails in the same manor.
8. To remove the divider kit, reverse the above installation procedure.

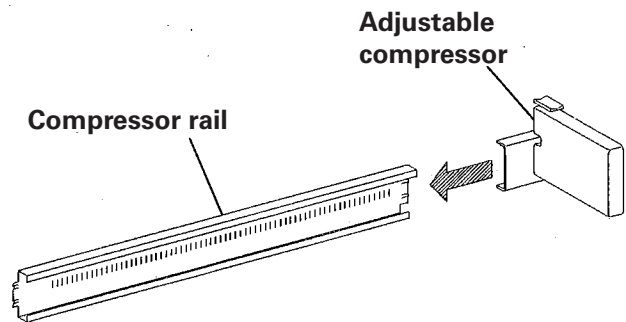


Figure 4. Compressor assembly

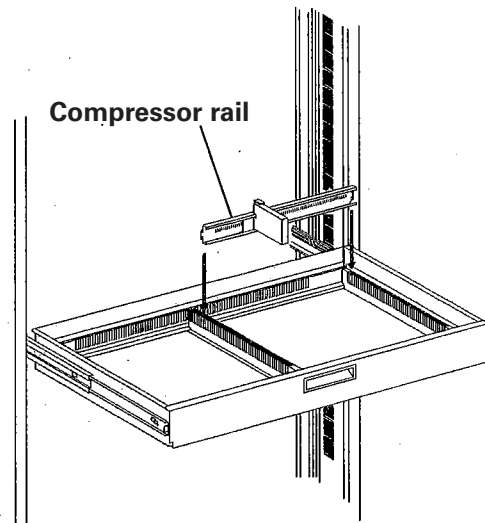


Figure 5. Compressor installation

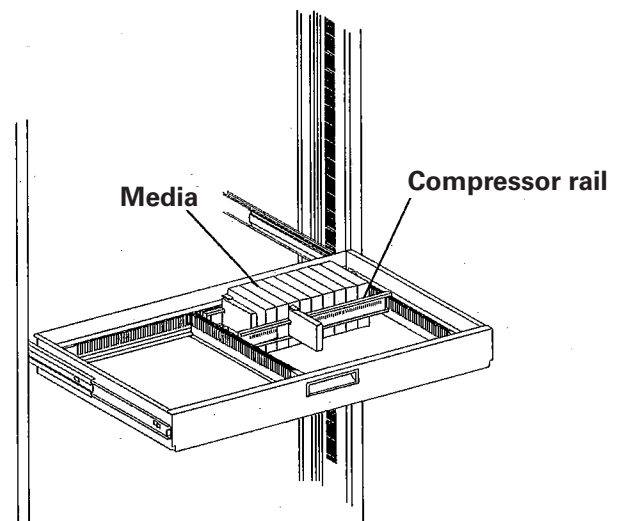


Figure 6. Media loading

Eaton
 1000 Eaton Boulevard
 Cleveland, OH 44122
 United States
 Eaton.com

© 2018 Eaton
 All Rights Reserved
 Printed in USA
 Publication No. 1L210014EN
 April 2018