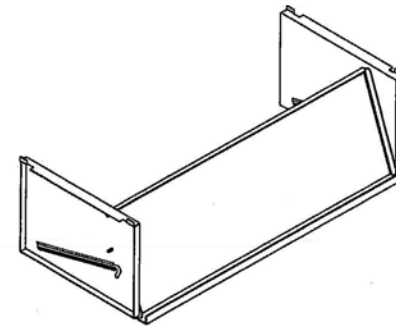


Optimedia® Periodical Shelf

Please read these instructions carefully and follow the installation steps in sequence.

The periodical shelf must be located a specific distance above the nearest component or media below it. The periodical shelf may be used in conjunction with a stationary shelf.

1. Locate the slots in the uprights for mounting the two end brackets (see Figure 1). **Make sure all the slots are at the same level.** Use the counting holes in the uprights as a guide when counting slots for spacing. **Note: all the slots are 1/4" apart; the counting holes are 2" apart.**
2. Starting at either side of the cabinet, hold an end bracket horizontally and insert its two offset tabs into the slots in the uprights (see Figure 2). Then let it pivot downward and hang vertically. Install the other end bracket the same way.
3. Next install the periodical shelf (see Figure 3). Hold the shelf horizontally between the two end brackets, above the bumpers. Retract the L.H. pivot pin on the shelf and insert the R.H. pivot pin into the plastic busing in the R.H. end bracket. Then release the L.H. pivot pin into the plastic bushing in the L.H. end bracket. Rotate the front of the shelf down until it rests against the bumpers.



Periodical shelf

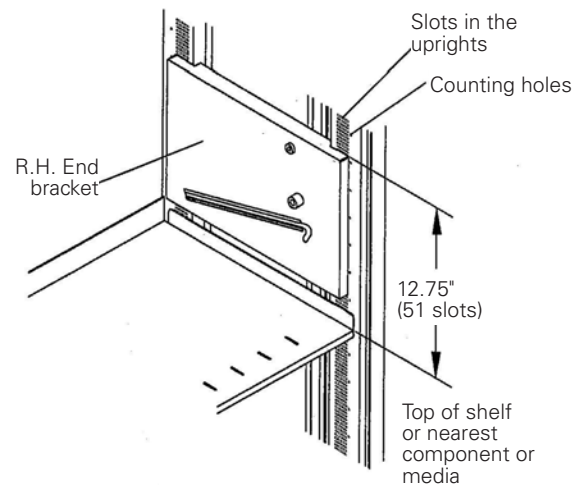


Figure 1

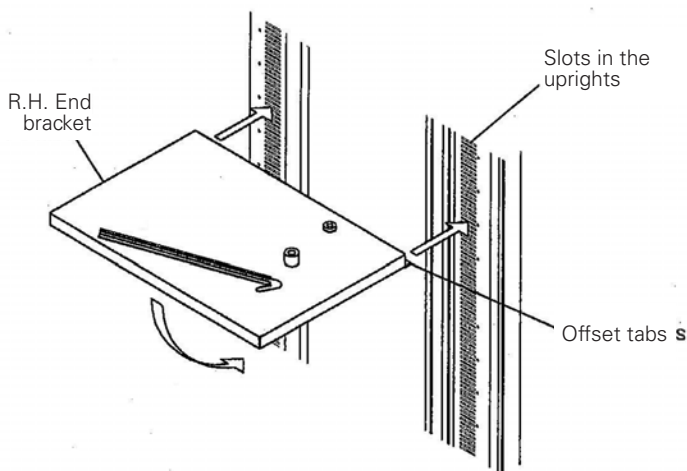


Figure 2

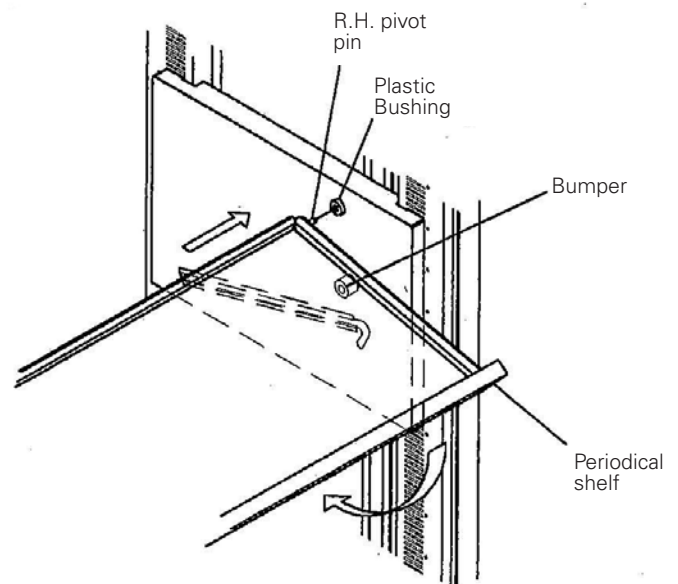


Figure 3

Effective May 2018

4. Assemble one support bar into the plastic lined track on the R. H. side panel by inserting the shoulder rivet into the track at the location shown in Figure 4. Now slide the rivet toward the bottom of the track.
5. Thread one spacer onto each of the hex headed self tapping screws as shown in Figure 5. Assemble the support bars to the pivot brackets using the two screw/spacer assemblies. (Bars should pivot freely without binding). Install hex nuts in screws.
6. To remove the periodical shelf, reverse the above installation procedure.

To use the shelf support

1. Lift the shelf to a horizontal extended position. Lift the shelf slightly above horizontal until the support bars audibly snap into a locked position.
2. To disengage the shelf, lift the shelf slightly above horizontal while pulling the support bars upward to a disengaged position. Lower the shelf to a closed position (see Figure 7).
3. **CAUTION:** The maximum load on the shelf when locked into reference position should not exceed 20 pounds.

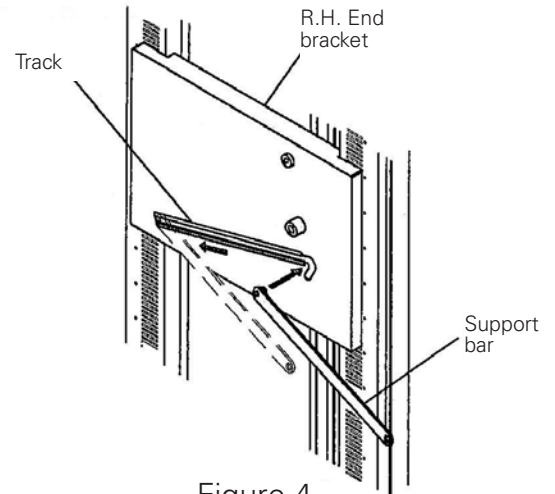


Figure 4

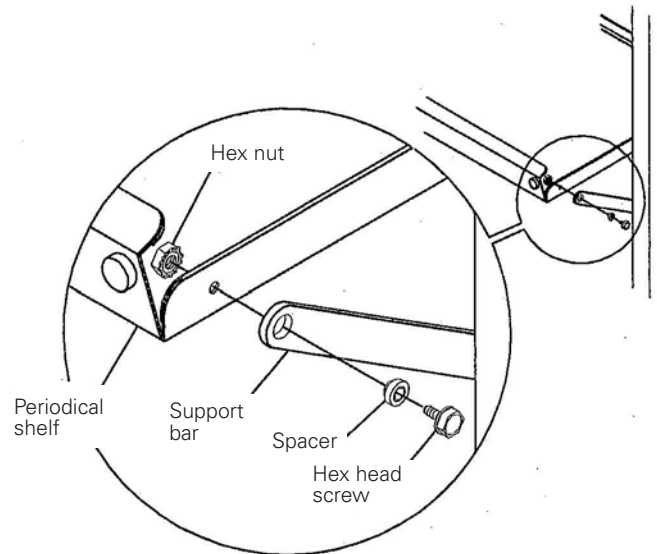


Figure 5

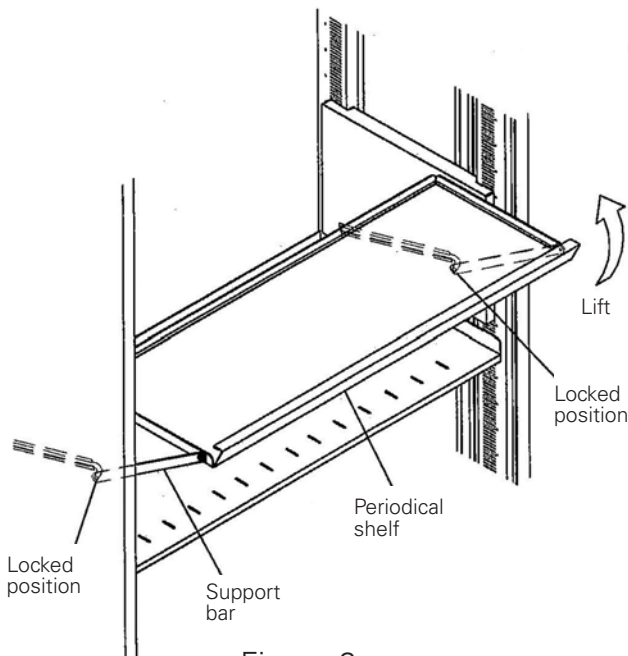


Figure 6

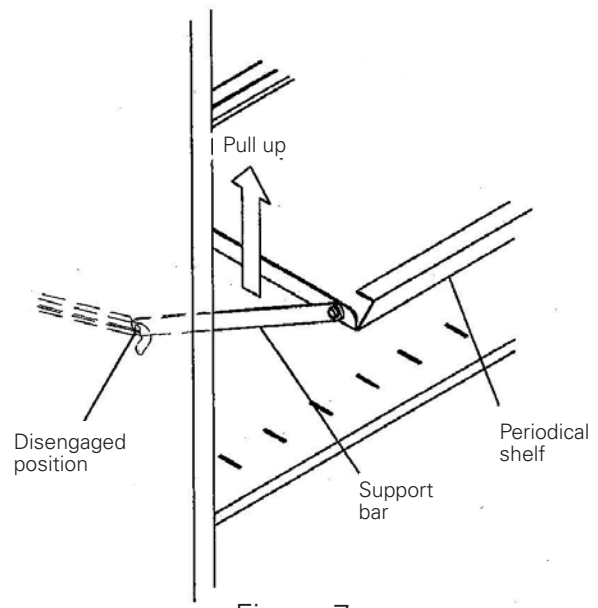
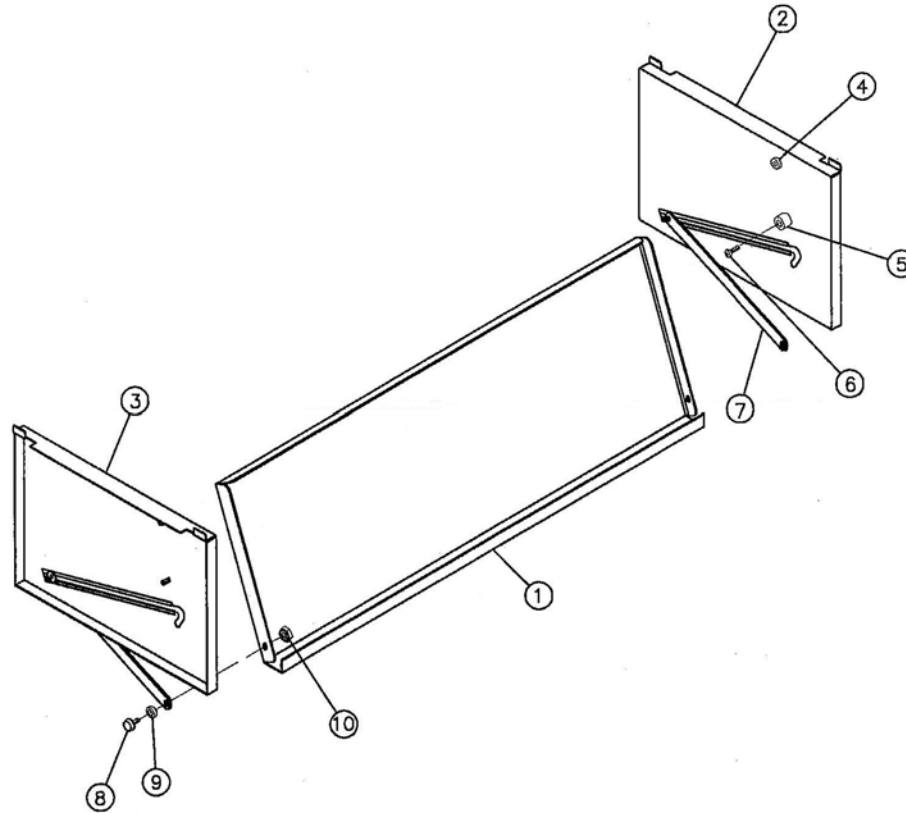


Figure 7

IL211008EN

Effective May 2018



Replacement Parts List

#	Part Number	Description	Qty. per unit
1	66083	Periodical Shelf	1
2	81637	R.H. End Bracket	1
3	81636	L.H. End Bracket	1
4	58621	Plastic Bushing	2
5	21053	Bumper	2
6	80023	Screw, #10 x .75"	2
7	2487P	Support Bar	2
8	66334	Hex Head Screw	2
9	40992	Spacer	2
10	18242	Hex Nut	2

Eaton
 1000 Eaton Boulevard
 Cleveland, OH 44122
 United States
 Eaton.com

© 2018 Eaton
 All Rights Reserved
 Printed in USA
 Publication No. IL211008EN 66720
 May 2018