

# Optimedia<sup>®</sup> 4" Roll-Out Front

*Please read these instructions carefully and follow the installation steps in sequence.*

The 4" roll-out front consists of two pieces: the front panel and a slotted inner panel. Make sure the three small mounting holes in each piece are aligned.

1. Pull the roll-out drawer all the way. Place the 4" roll-out front at the front of the drawer and align its three bottom mounting holes with the holes in the

drawer. Using a Phillips screwdriver, attach the 4" roll-out front to the drawer from underneath with three screws (see Figure 1). Then attach each end with a screw.

2. To remove the 4" roll-out front, remove all the screws.

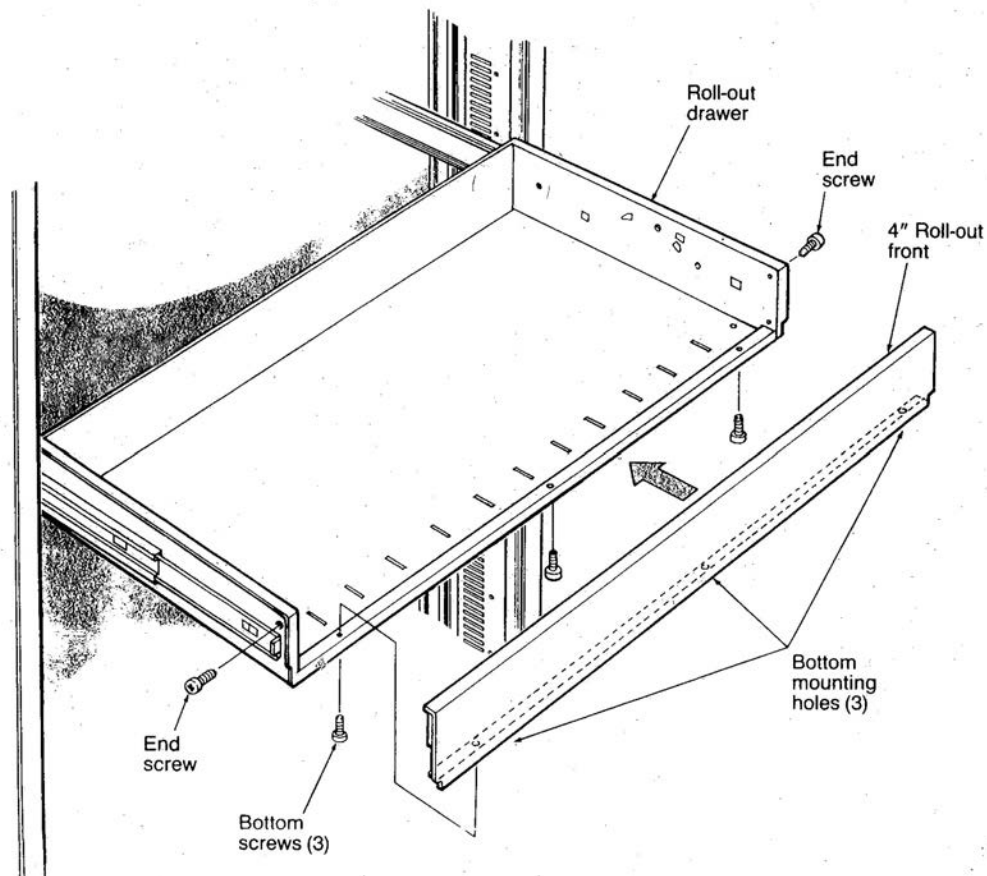


Figure 1. 4" Roll-out front installation

**Eaton**  
1000 Eaton Boulevard  
Cleveland, OH 44122  
United States  
Eaton.com

© 2018 Eaton  
All Rights Reserved  
Printed in USA  
Publication No. IL211010EN 66725  
May 2018