

# Tambor replacement

Please read the following safety instructions carefully and follow the installation steps in sequence.

This repair should be done by a Maintenance Mechanic; it will take approximately 45 minutes to complete.

Open tambour door completely. Remove all materials from cabinet; remove components to provide at least 36" of working space at top. Lay cabinet on its back on a rug or other soft material to protect painted surface.

If there is a 3" base on the unit it must be removed. Remove front filler assembly by removing 4 screws as shown (see Figure 1).

## REMOVING TAMBOUR SHAFT ASSEMBLY

**WARNING: WHEN TAMBOUR DOOR IS OPEN, THE COUNTERBALANCE SPRING IS UNDER TENSION. DO NOT PROCEED UNTIL A LOCKING PIN IS INSERTED UNDER SPRING TAIL AND INTO ONE OF THE THREE HOLES IN THE SPROCKET (SEE FIGURE 2).**

With a  $\frac{1}{8}$ " hex key, loosen the set screw in the right hand sprocket. Slide the right hand sprocket toward the center of the cabinet approximately three inches (see Figure 3).

Carefully slide the spring tail to the left and down. Remember, it is under tension (see Figure 4)

Slide the tambour shaft assembly to the right until the left hand sprocket disengages the bearing hole in the left hand tambour track. Swing the left hand end of the tambour track. Swing the left hand end of the tambour shaft assembly down and slide the spring tail out of the spring holder.

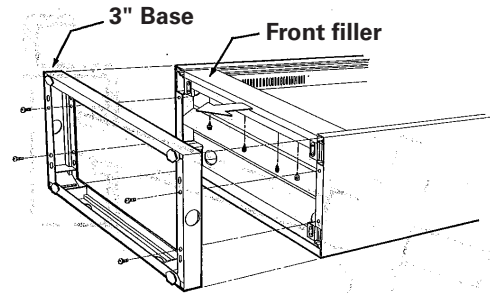


Figure 1

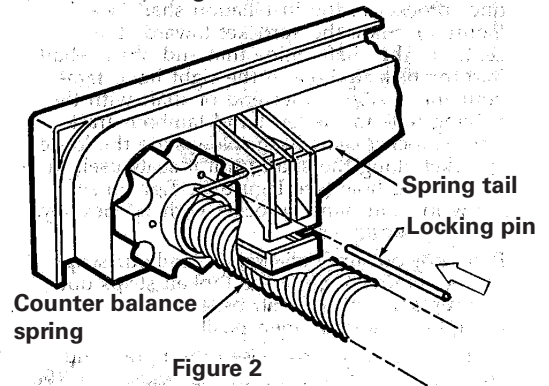


Figure 2

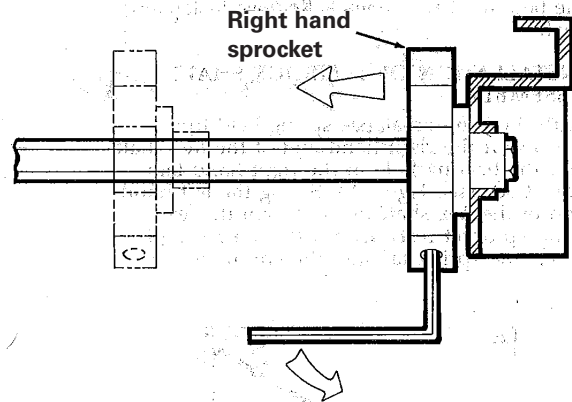


Figure 3

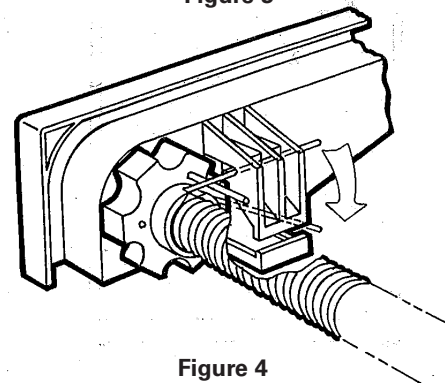


Figure 4



Powering Business Worldwide

Continue to swing the tambour shaft assembly down and to the left (see Figure 5). Remove the right hand end of the tambour shaft assembly from the bearing hold in the right hand tambour track.

### TAMBOUR REPLACEMENT

With the  $\frac{1}{8}$ " hex key, loosen the set screw in one sprocket of the installation shaft (see Figure 6). Slide the sprocket towards the center of the shaft. Slide that end of the shaft into the bearing hole in the right hand tambour track. Align other end of shaft with the bearing hole in the left hand tambour track until sprocket seats itself. Now slide the loose sprocket along the shaft until it seats itself in the bearing hole (see Figure 7). Tighten set screw in right hand sprocket with  $\frac{1}{8}$ " hex key. Do not overtighten.

Pull door out until all broken tambour strips can be removed. Slide the broken strips out and replace with new strips. Reinsert door; move to its normal open position.

With the  $\frac{1}{8}$ " hex key, loosen the right hand sprocket set screw; slide the sprocket 3" to the left. Slide the entire installation shaft to the right. Swing the left end of the shaft toward the bottom of the cabinet. Remove installation shaft.

### INSTALLATION OF TAMBOUR SHAFT ASSEMBLY

With the counterbalance spring held to the left, insert the right hand end of the hex shaft into the bearing hole in the right hand tambour track (see Figure 8). Swing the left hand end of the hex shaft upward until the left hand sprocket rests against the spring holder. Insert the spring tail into the spring holder.

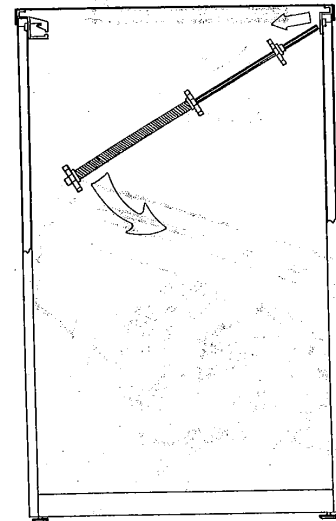


Figure 5

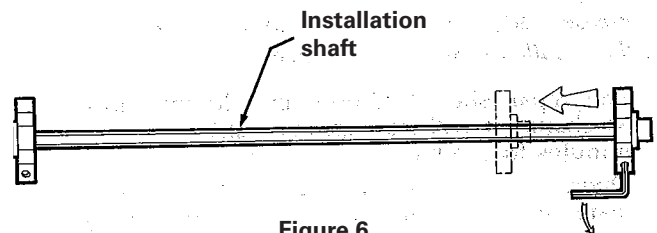


Figure 6

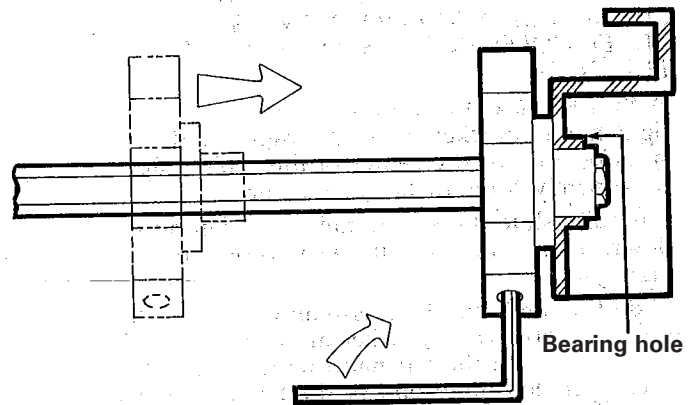


Figure 7

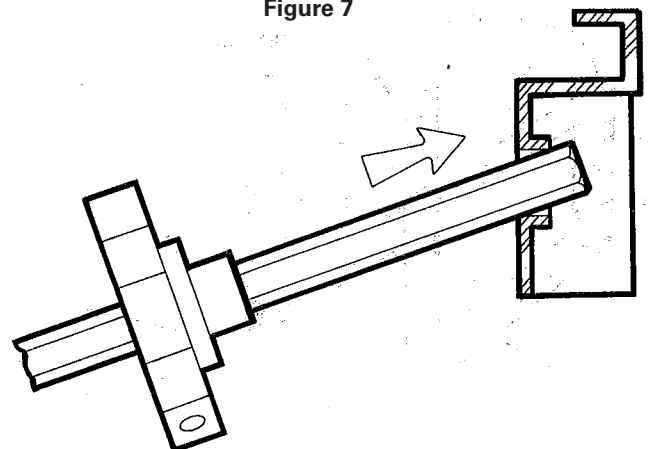


Figure 8

Continue to swing the hex shaft upward until the left hand sprocket hub is next to the bearing hole in the left hand tambour track. Slide the tambour shaft assembly to the left until the left hand sprocket hub is seated firmly in the bearing hole of the left hand tambour track.

Slide the right hand sprocket to the right until the sprocket hub is seated firmly in the bearing hold of the right hand tambour track (see Figure 9). Ensure that both sprockets are seated firmly. With a  $\frac{1}{8}$ " hex key, tighten the set screw in the right hand sprocket tooth. DO NOT OVER-TIGHTEN.

Slide the spring tail up and to the right so that it rests in the uppermost spring holder notch. Be sure that corresponding sprocket teeth engage the same tambour strip (see Figure 10).

Pull the retaining pin to the right and remove. Discard pin. Replace front filler assembly and base, if applicable.

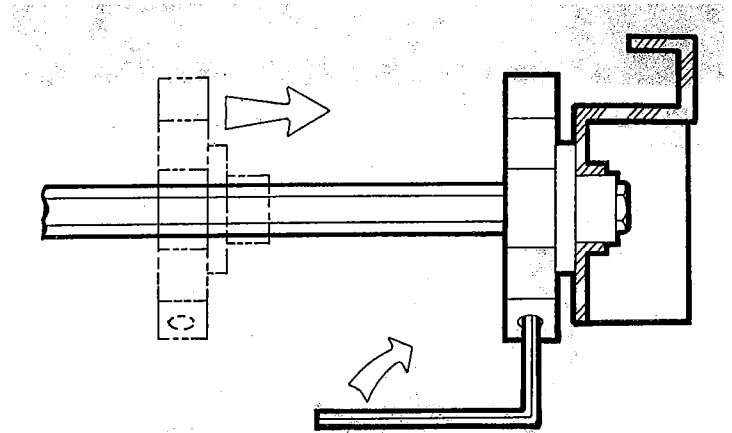


Figure 9

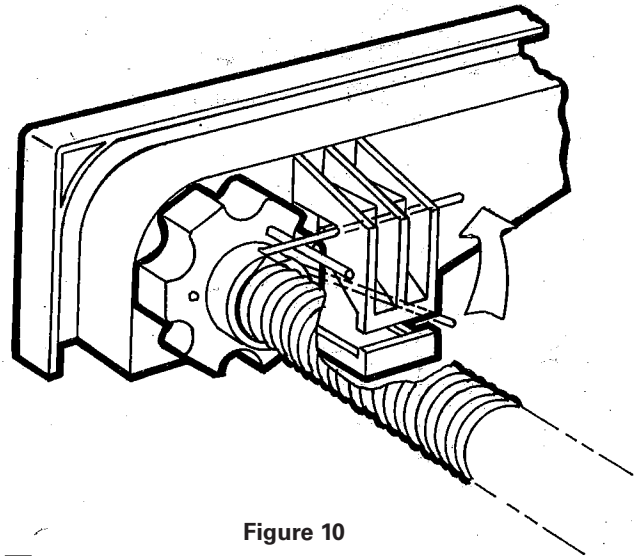


Figure 10

**Eaton**  
1000 Eaton Boulevard  
Cleveland, OH 44122  
United States  
Eaton.com

© 2018 Eaton  
All Rights Reserved  
Printed in USA  
Publication No. 1L210021EN  
April 2018

Eaton is a registered trademark.

All trademarks are property  
of their respective owners.