

End Panels Horizontal Cable Management

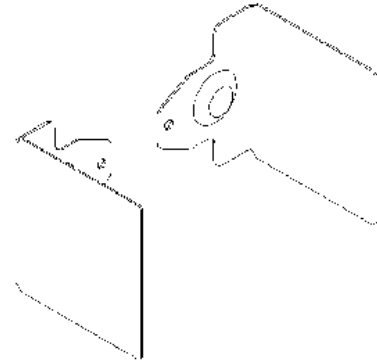
Please read these instructions carefully and follow the installation steps in sequence.

Tools Required

- None

1. Insert the dimpled tab of the End Panel into the space between the extruded Cable Management and the steel Mounting Rail. See Figure 1.

Push the End Panel in until it bottoms out.



End Panels
Part No. 7170X

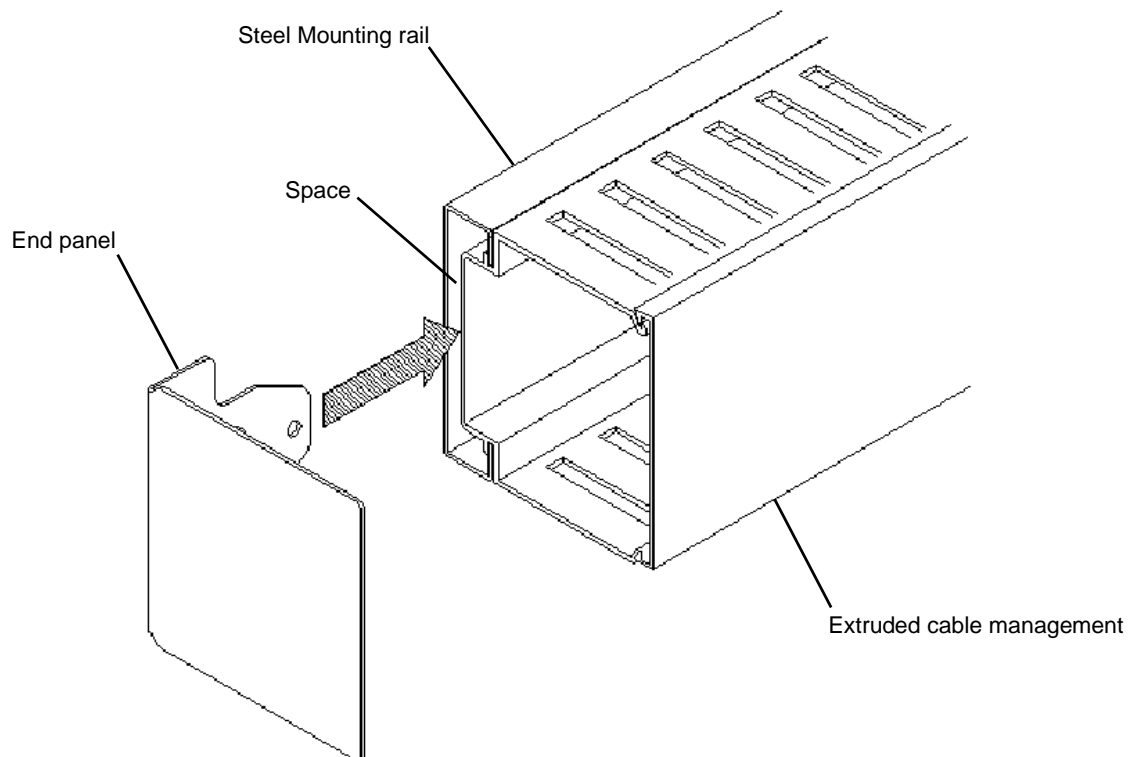


Figure 1.

Eaton
1000 Eaton Boulevard
Cleveland, OH 44122
United States
Eaton.com

© 2018 Eaton
All Rights Reserved
Printed in USA
Publication No. IL211018EN
May 2018

Eaton
160 Gold Star Boulevard
Worcester, MA 01606
United States
800-225-7348
508-852-4300
Eaton.com/furniture

Eaton is a registered trademark.

*All trademarks are property
of their respective owners.

Follow us on social media to get the
latest product and support information.

