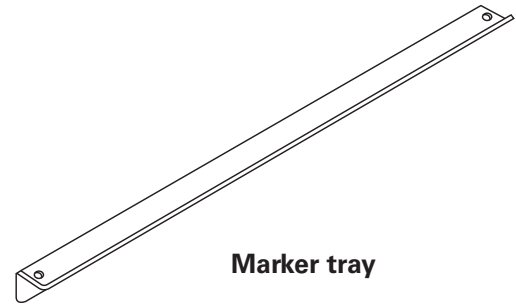


# Marker tray

1. Remove the release liner from the double faced tape on the back of the **Marker Tray**.
2. Carefully align the bottom of the Tray with the bend line at the bottom of the White Board and center it side to side.

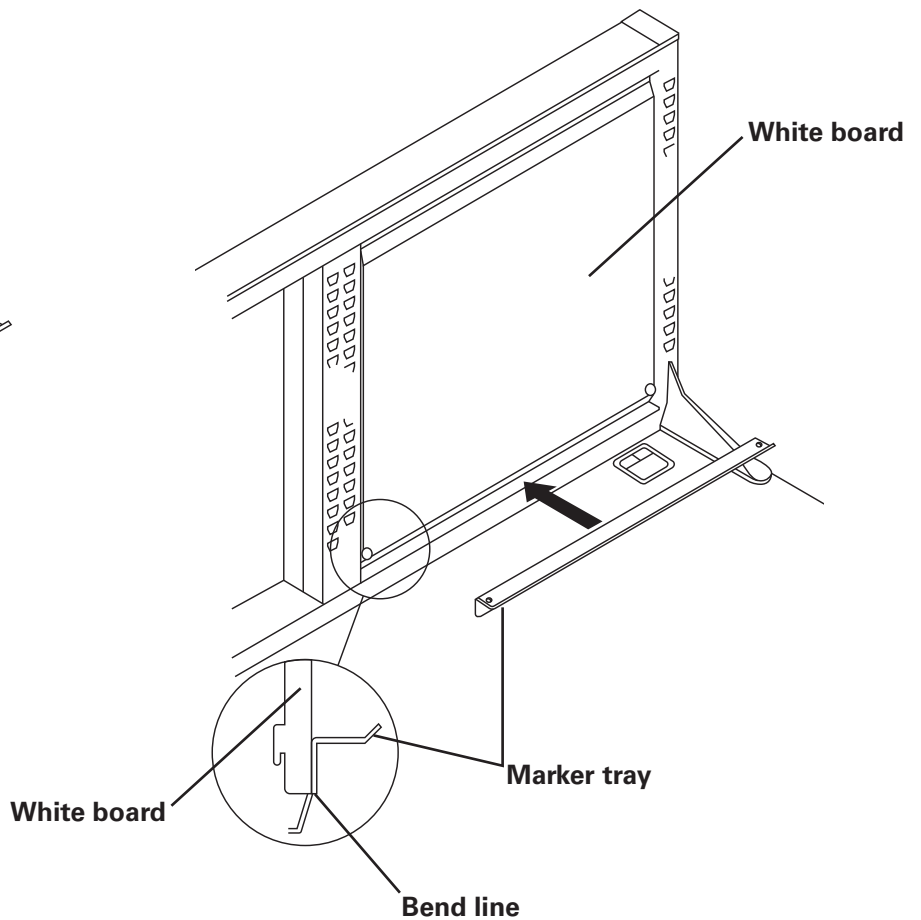
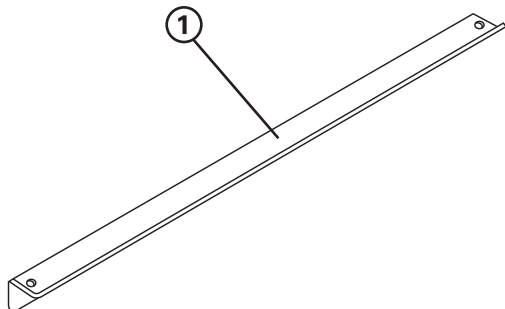
Now press the Marker Tray firmly in place. For maximum adhesion, do not use the Tray for 24 hours.



Marker tray

## Parts line

Part number	Description	Qty.
6596X	Marker tray - 24"	
1 6597X	Marker tray - 30"	1
6598X	Marker tray - 36"	



**Eaton**  
 1000 Eaton Boulevard  
 Cleveland, OH 44122  
 United States  
 Eaton.com

© 2018 Eaton  
 All Rights Reserved  
 Printed in USA  
 Publication No. IL210007EN  
 April 2018

Eaton is a registered trademark.

All trademarks are property of their respective owners.