

Sliding Keyboard/Pedestal Bracket

Overview

- The **Sliding Keyboard/Pedestal Brackets** are designed to accommodate both 30" (762mm) and 36" (914,4mm) deep worksurfaces.
- They can be used with laminate, phenolic and maple worksurfaces.
- Both units can only be used with 36" (914,4mm) thru 96" (2438,4mm) Linear TechBenches.
- Each unit is rated for 150 lbs (330,0 kg).
- The Keyboard Bracket has a mounting hole pattern to accept a "KB" Cobra style mounting track.
- The Pedestal Bracket has (2) sets of hole patterns. One hole pattern is for a C38X series Pedestal, the other is for a "KB" Cobra style keyboard track.
- A safety locking feature prevents accidental disengagement on the units.
- A synthetic grease must be applied to both front and rear TechBench™ stiffeners as well as the Sliding Keyboard/Pedestal Bracket assemblies. This will ensure smooth motion of loaded units.
- A knob located on the front of each Sliding keyboard/Pedestal Bracket locks the unit in place during use.

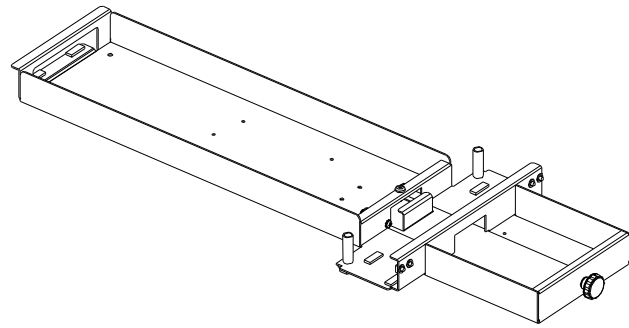


Powering Business Worldwide

Tools Required

- $\frac{9}{16}$ " Open end wrench

1. Remove the two $\frac{3}{8}$ " x $1\frac{1}{2}$ " long hex head bolts, two Plastic Rollers, Locking Knob and nylon washer from the Sliding Keyboard/Pedestal Bracket assembly. See figure 1. **Do not discard!**
2. Apply synthetic grease to entire top and underside of the two flanges as shown in figure 1.



Sliding Keyboard/Pedestal Bracket

IMPORTANT: Verify that grease has been applied to both front and rear TechBench™ stiffeners. If grease has not been applied, refer to TechBench™ manual #91398.

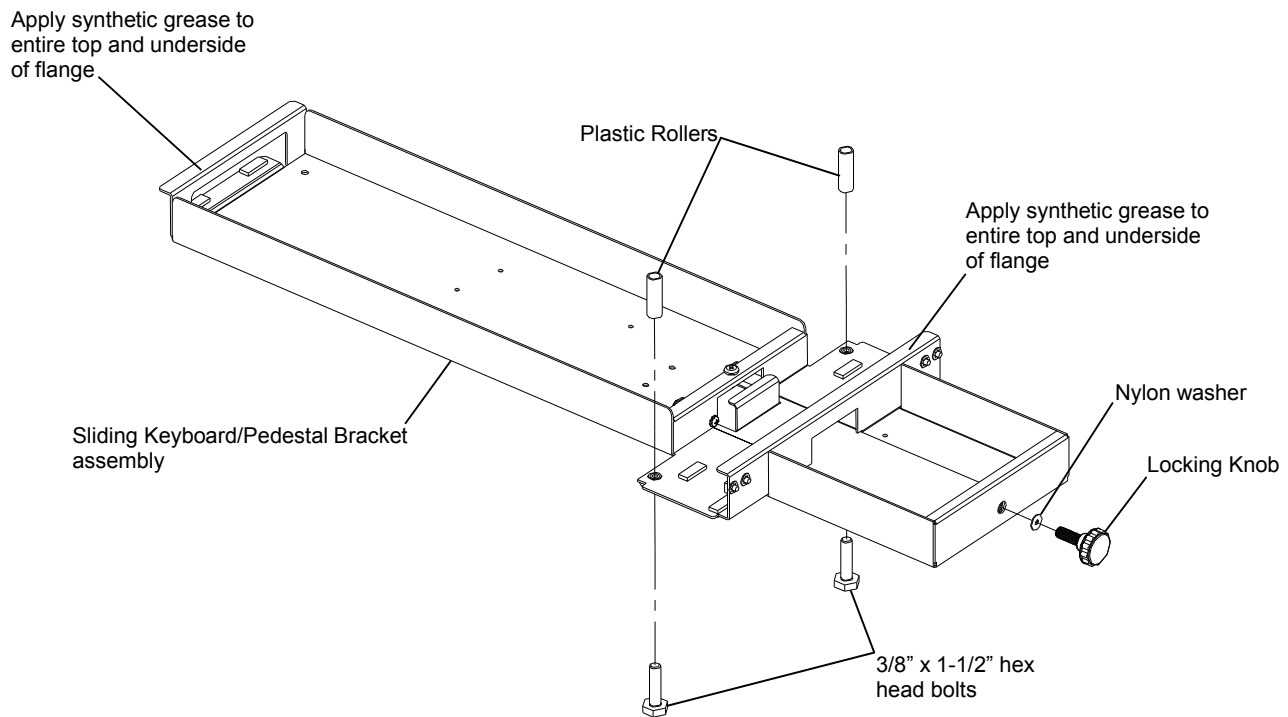


Figure 1.

3. To install the Sliding Keyboard/Pedestal Bracket assembly to the underside of the TechBench™, align the cut-out in the assembly with the front Stiffener and push the assembly up against the underside of the worksurface. See figure 2.

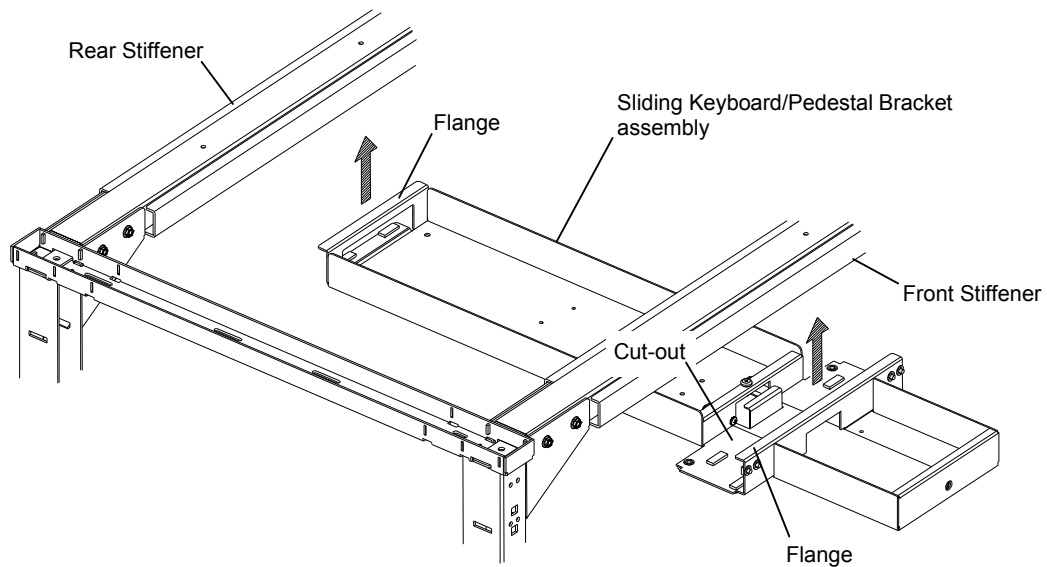


Figure 2.
(Worksurface not shown)

4. Push the assembly toward the rear of the bench to engage the flanges with the front and rear Stiffeners. See figure 3.

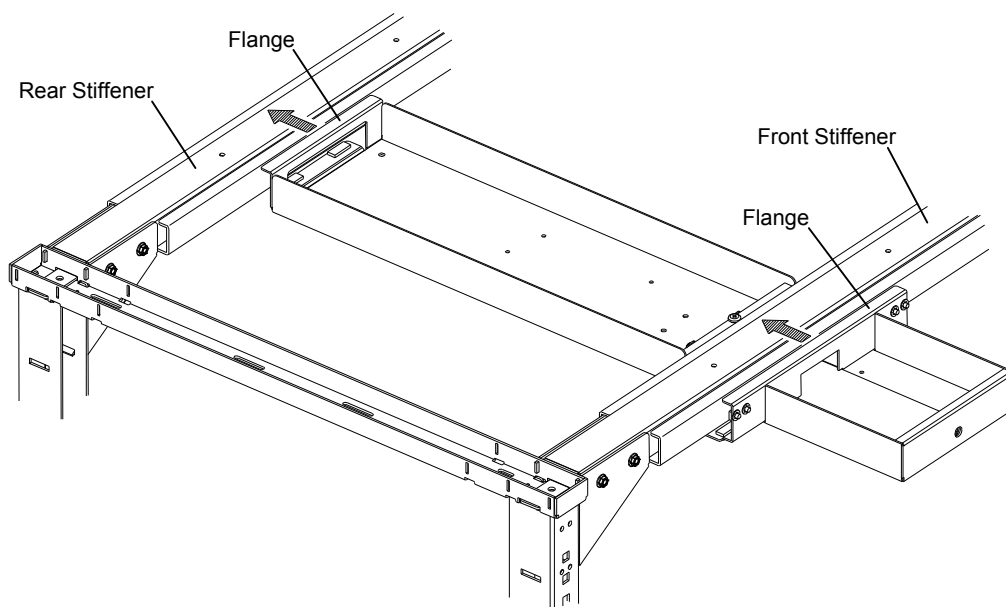


Figure 3.
(Worksurface not shown)

Instruction Sheet

IL211024EN

Effective May 2018

Sliding Keyboard/Pedestal Bracket

5. While holding the unit in place, align the two Plastic Rollers (removed in step 1) with the holes in the top of the bracket. See figure 4. The Rollers should be between the worksurface and the bracket.
6. Re-install the two Locking Bolts (removed in step 1) into the holes as shown in figure 4. Thread them all the way in and tighten using the $\frac{9}{16}$ " wrench.
7. Re-install the Locking Knob and $\frac{3}{8}$ " nylon washer (removed in step 1). **Do not** tighten.

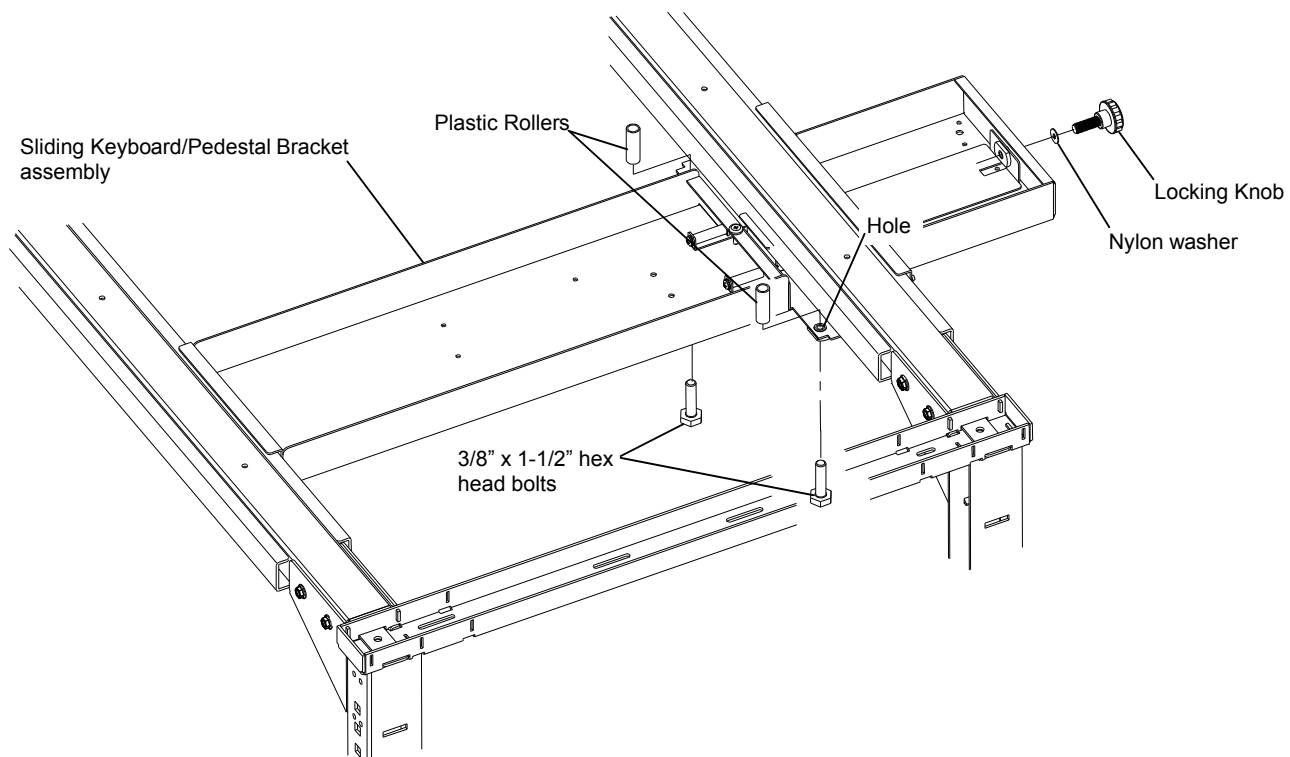


Figure 4.
(Worksurface not shown)

Eaton
1000 Eaton Boulevard
Cleveland, OH 44122
United States
Eaton.com

© 2018 Eaton
All Rights Reserved
Printed in USA
Publication No. IL211024EN 91647
May 2018

Eaton
160 Gold Star Boulevard
Worcester, MA 01606
United States
800-225-7348
508-852-4300
Eaton.com/furniture

Eaton is a registered trademark.

*All trademarks are property
of their respective owners.

Follow us on social media to get the
latest product and support information.

