

AN19 Starter Competitive Retrofit Kits

This kit will provide all necessary components to upgrade an existing competitor bi-metallic starter with an Eaton AN19 starter with solid state overload.

1. Remove the existing starter from the panel (A) and retain existing screws.
2. Review the instruction label that is provided with the competitive mounting plate (B) to locate the existing starter mounting holes. These holes will line up with the holes on the panel (A).
3. Secure the competitive mounting plate (B) to the panel (A) using the existing mounting holes.
4. Mount the AN19 starter (C) to the competitive mounting plate (B) using the screws provided with the kit. The AN19 starter will align with the raised mounting holes on the plate. See instruction label that was provided with the competitive plate (B) for reference.
5. Remove the cap insert (H) shown in Figure No. 2 from the overload on the bottom of the AN19 Starter (C). Reference Figure No. 2
6. Insert the remote reset module (E).
7. Mount the Reset Pushbutton (F) to the door.
 - a. Remove the retaining nut from the pushbutton (F).
 - b. Insert the pushbutton (F) into the 30mm mounting hole in the door.
 - c. Place the RESET legend plate (G) over the pushbutton (F).
 - d. Screw the retaining nut (F) onto the pushbutton (F) until secure.
8. Use the control wire (H) provided with the kit to connect the reset module (E) to the Reset pushbutton (F). Reference wiring diagram shown in Figure No. 2

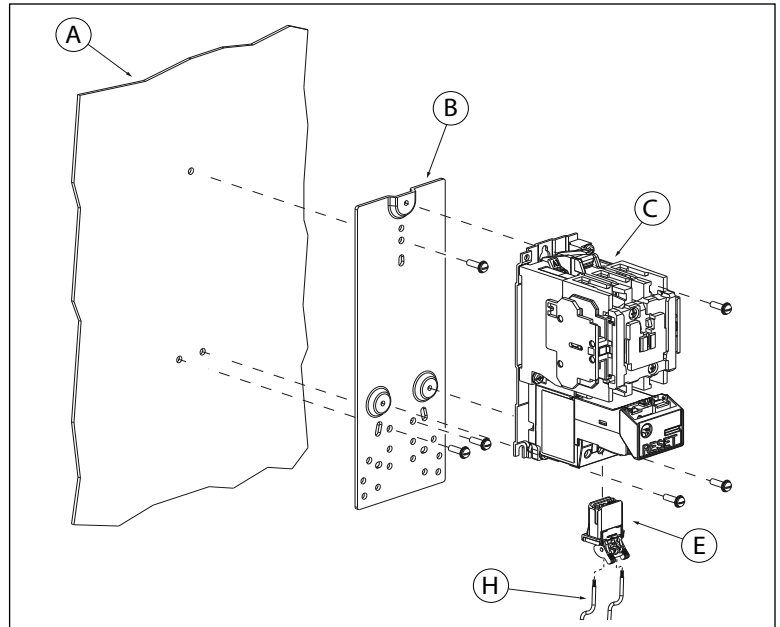


Figure 1.

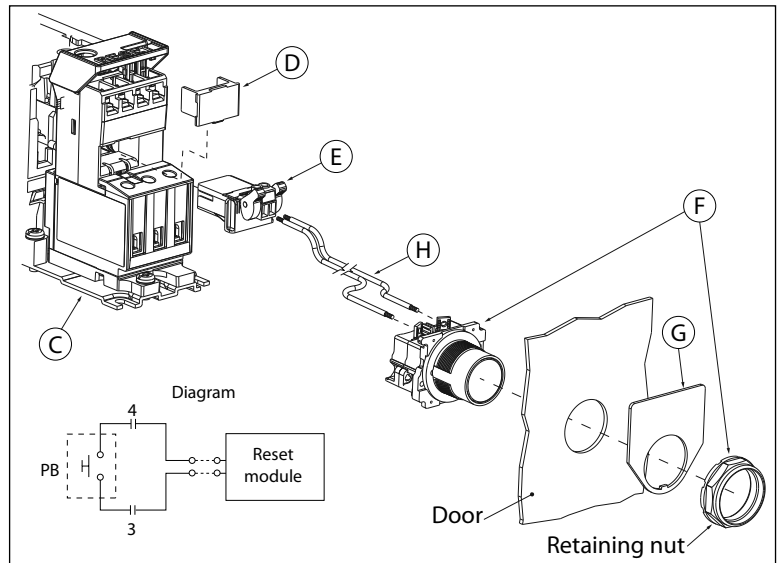


Figure 2.

Catalog Number	Description	Letter Identifier
C321CMP*	Competitive Mounting Plate	B
AN19*N0A5E*	AN19 Starter	C
	AN19 Starter overload cap	D
ZEB-XRR-120	Remote Reset Module	E
10250T23B	Reset Pushbutton	F
10250TM29	Reset Legend Plate	G
N/A	16 gauge Control Wire	H



Powering Business Worldwide

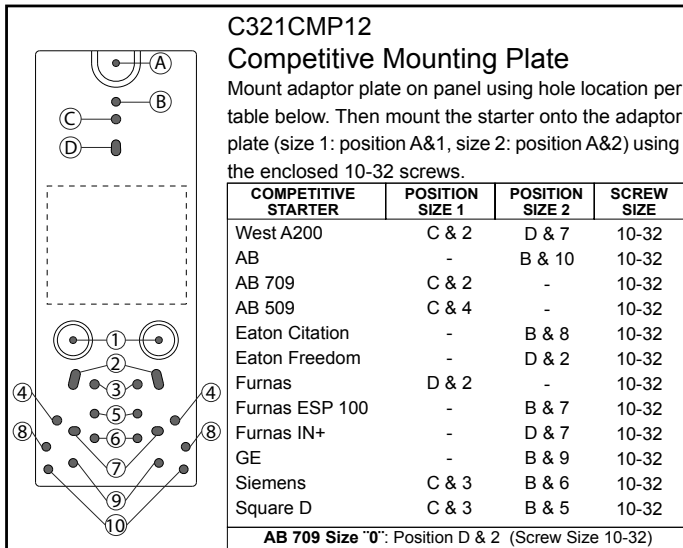


Figure 3.

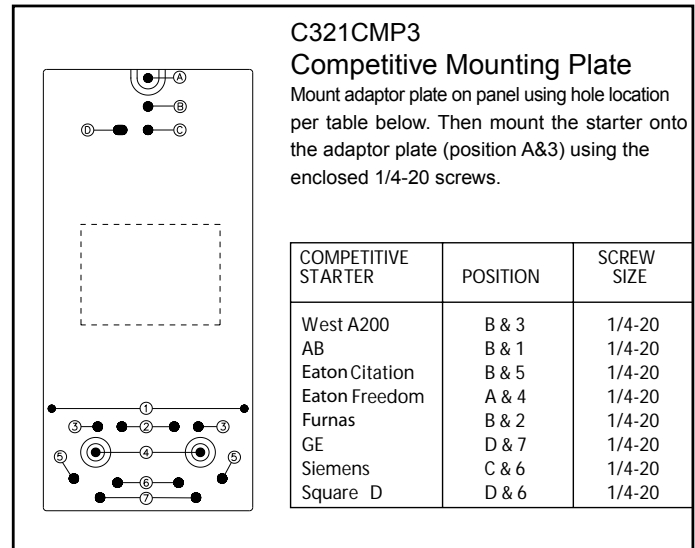


Figure 4.

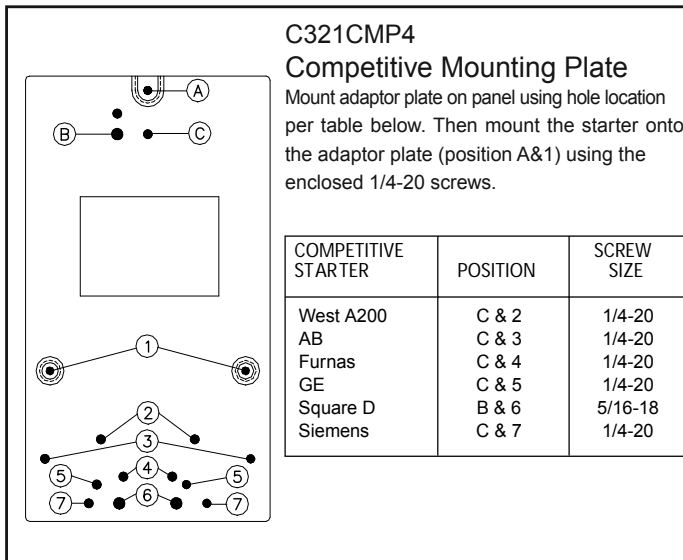


Figure 5.

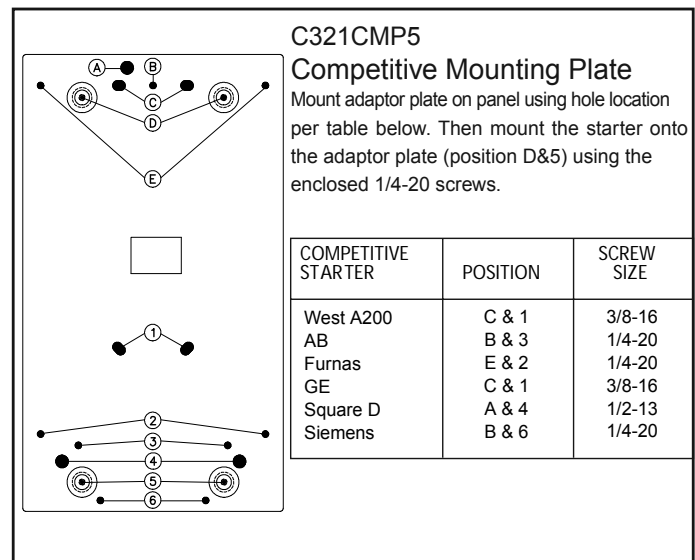


Figure 6.

Eaton
1000 Eaton Boulevard
Cleveland, OH 44122
United States
Eaton.com

© 2015 Eaton
All Rights Reserved
Publication No. P53003 / 002
April 2015