

**Electrically Held Lighting Contactors**



**Mechanically Held Lighting Contactor**



**Type 1 Non-Combination Lighting Contactors**



**4.1 UL Rated AC Contactors**

Product Description .....	<b>V10-T4-2</b>
Application Description .....	<b>V10-T4-2</b>
Standards and Certifications .....	<b>V10-T4-2</b>
Additional Reference .....	<b>V10-T4-2</b>
Catalog Number Selection .....	<b>V10-T4-3</b>
Enclosures .....	<b>V10-T4-3</b>
Cover Control .....	<b>V10-T4-4</b>
Operation .....	<b>V10-T4-9</b>
Accessories .....	<b>V10-T4-13</b>
Wiring Diagrams .....	<b>V10-T4-14</b>

## Volume 10—Enclosed Control, CA08100012E

Tab 4—Lighting Contactors

Revision date	Section	Change page(s)	Description
10/29/2019	4.1	V10-T4-14	Update drawing
10/29/2019	4.1	V10-T4-15, V10-T4-16	Title changes
10/29/2019	4.1	V10-T4-17	Update drawing
10/29/2019	4.1	V10-T4-18, V10-T4-19	Revise drawings



*Powering Business Worldwide*

#### UL Rated AC Contactors



#### Product Description

Eaton’s lighting contactors are designed to provide a safe, convenient means for local or remote switching of tungsten (incandescent filament) or ballast (fluorescent and mercury arc) lamp loads. They are also suitable for other loads such as low pressure and high pressure sodium lamp loads and other non-motor (resistive) loads. They are not recommended for most sign flashing loads.

These lighting contactors are designed to withstand the large initial inrush currents of tungsten lamp loads without contact welding. They are fully rated and do not require derating.

#### Application Description

##### Loads:

**Ballast Lamps**—Fluorescent, mercury vapor, metal halide sodium vapor, quartz—600 V maximum.

**Filament Lamps**—Incandescent, infrared, heating—480 V maximum, line to line; 277 V maximum line to neutral.

**Resistance Heating**—Radiant and convection heating, furnaces and ovens.

#### Additional Reference

Accessories .....	<b>V10-T4-13</b> and <b>Tab 15</b>
Cover Control .....	<b>V10-T4-4</b>
Dimensions .....	<b>Tab 14</b>
Accessories and Modifications .....	<b>Tab 15</b>
Technical Data and Specifications .....	<b>Tab 17</b>

#### Contents

<i>Description</i>	<i>Page</i>
UL Rated AC Contactors	
Catalog Number Selection .....	<b>V10-T4-3</b>
Enclosures .....	<b>V10-T4-3</b>
Cover Control .....	<b>V10-T4-4</b>
Product Selection .....	<b>V10-T4-6</b>
Operation	
Non-Combination Contactors.....	<b>V10-T4-9</b>
Combination Contactors .....	<b>V10-T4-11</b>
Accessories .....	<b>V10-T4-13</b>
Wiring Diagrams .....	<b>V10-T4-14</b>

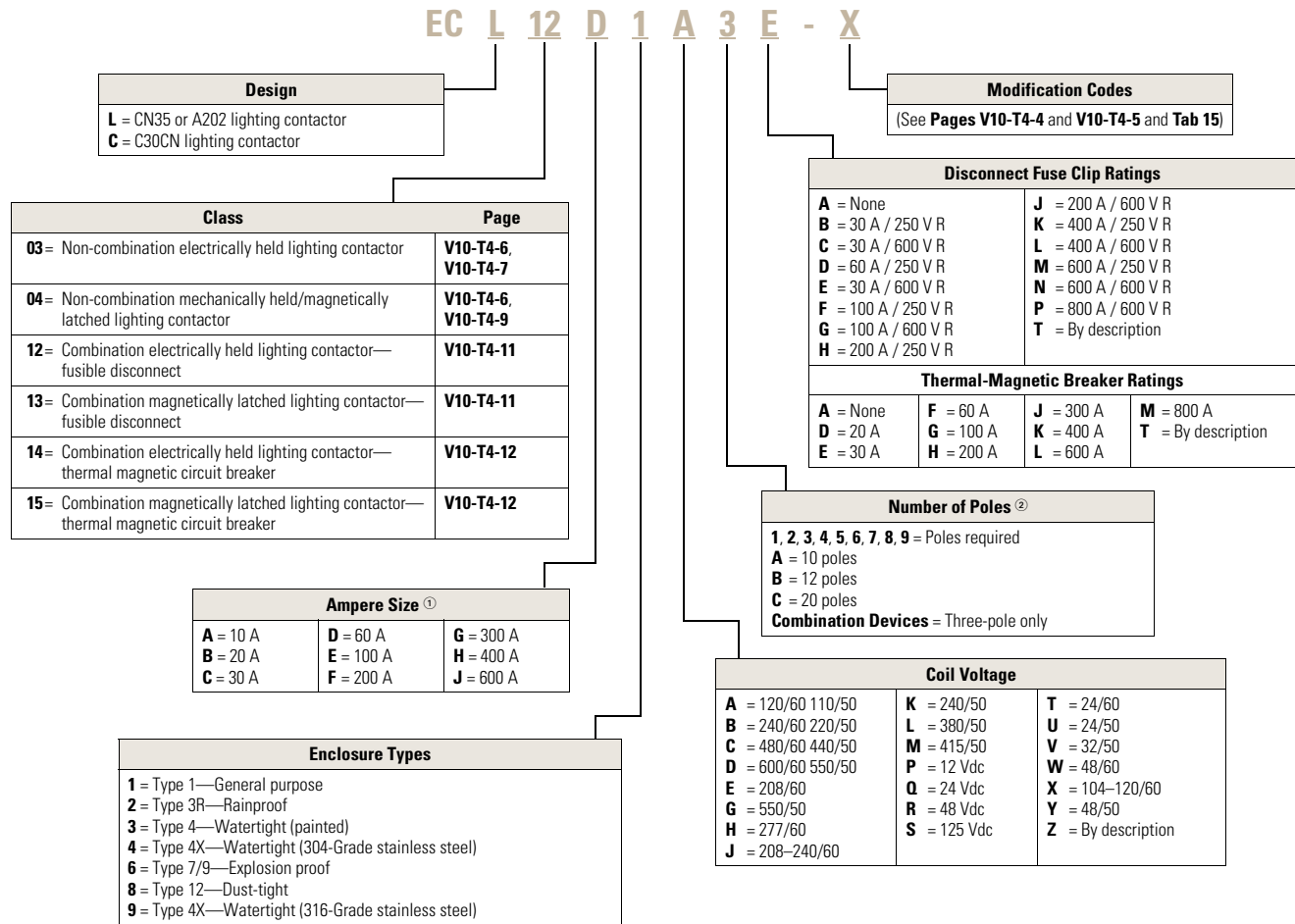
#### Standards and Certifications

**Note:** See **Tab 17** for additional information on Standards and Certifications that apply to all Enclosed Control products.

- UL Listed
- cUL Listed
- ABS Type Approved
- OSHPD Certified (OSP-0015-10)

**Catalog Number Selection**

**Enclosed Lighting Contactors**



**Enclosures**

Lighting contactors are available open or mounted in Type 1, 3R, 4, 4X, 12 or 7/9 enclosures.

Type 1 is for indoor, general purpose for personal protection. Knock-outs are provided in the top and bottom for conduit entry.

Type 3R is for outdoor applications and rated for rain, sleet and external ice buildup. Type 3R enclosures have knockouts in the bottom and provisions for a hub in the top.

Type 4 and 4X are for mounting indoor or outdoor and provide protection from splashing water, hose-directed water and wind-blown dust. Watertight conduit hubs are provided in the top and bottom of Type 4X enclosures. The standard Type 4X enclosures are made of 304-Grade stainless steel, providing corrosion protection. 316-Grade stainless steel construction is available as an upgrade option.

Type 12 enclosures are for indoor mounting and protect from dripping liquids, falling dirt and dust. No knockouts or hubs are provided with Type 12 enclosures.

Type 1, 3R, 4 and 12 enclosures are painted with a polyester urethane powder coat paint meeting UL requirements and the color is ANSI 61 gray. Type 1 enclosures have knockouts for cover controls. All the other types have holes plugged, ready for cover controls. Type 7/9 is also available for explosion proof applications. Please contact the factory for additional details.

**Notes**

- ① C30CN available in 30 A only.
- ② For normally closed poles see **Tab 15**.

#### Cover Control

##### Product Selection

##### Type 1 Non-Combination Cover Control (Box 1 and Box 2 Only)

- Cover control for non-combination starters uses M22 style devices as standard
- Pushbuttons are momentary type
- Field convertible selector switches from momentary to maintained operation and vice versa
- Cover control kits include hardware, M22 pushbuttons, bracket and pre-wired wire harnesses
- See Volume 7, Tab 1, for more details on M22 pushbuttons

4

##### Type 1 Non-Combination Cover Control (Box 1 and Box 2 Only)

Box 1 offering with cover control includes CN35 10–60 A, 2- to 4-pole.

Box 2 offering with cover control includes C30CN 30 A, 1- to 12-pole; CN35 10–60 A, 2- to 6-pole; and A202 30–60 A, 2- to 5-pole.



Description	Factory Installed Cover Control Modification Code Suffix	Field Installation Kits Catalog Number
ON/OFF pushbutton	<b>P8</b>	<b>C600M2</b>
With red RUN pilot light	<b>P8P23</b>	<b>C600M201_</b> <sup>①</sup>
With red RUN/green OFF lights	<b>P8P23P25</b>	<b>C600M202_</b> <sup>①</sup>
HAND/OFF/AUTO selector switch	<b>S3</b>	<b>C600M12</b>
With red RUN pilot light	<b>S3P23</b>	<b>C600M121_</b> <sup>①</sup>
With red RUN/green OFF lights	<b>S3P23P25</b>	<b>C600M122_</b> <sup>①</sup>
ON/OFF selector switch	<b>S12</b>	<b>C600M14</b>
With red RUN pilot light	<b>S12P23</b>	<b>C600M141_</b> <sup>①</sup>
With red RUN/green OFF lights	<b>S12P23P25</b>	<b>C600M142_</b> <sup>①</sup>
Red RUN pilot light	<b>P23</b>	<b>C600M9_</b> <sup>①</sup>
Green OFF pilot light	<b>P25</b>	<b>C600M10_</b> <sup>①</sup>
Red RUN/green OFF lights	<b>P23P25</b>	<b>C600M11_</b> <sup>①</sup>

##### Note

<sup>①</sup> Add code letter from the table below to catalog number for voltage. Example: C600M101**A**.

Rating	Code Letter
85–264 Vac	<b>A</b>
480 Vac	<b>C</b>
12–30 Vac/Vdc	<b>T</b>

## Type 1, 3R, 4X and 12 Cover Control Non-Combination (Non-Box 1 and Box 2) and Combination Cover Control

Description	For Use with Lighting Contactor	Factory Installed Cover Control		Field Installation Kits	
		Type 1, 3R, 4X and 12 Modification Code Suffix	Type 7/9 Modification Code Suffix	Type 1 <sup>①②</sup> Catalog Number	Type 3R, 4X and 12 Non-Combination and Type 1, 3R, 4X and 12 Combination <sup>②</sup> Catalog Number
ON/OFF pushbuttons	Electrical three-wire C30CN; CN35; A202	P8	P8	C400GK18	C400T2
With red RUN pilot light		P8P23	P8P23	C400GK19_	—
With red RUN/GREEN off lights		P8P23P25	P8P23P25	C400GK1A_	—
ON/OFF Pushbuttons	Mechanical three-wire C30CN	P8	P8	C400GK4	C400T201
With red RUN pilot light		P8P23	P8P23	C400GK48_	—
With red RUN/GREEN off lights		P8P23P25	P8P23P25	C400GK49_	—
ON/OFF pushbuttons	Electrical and mechanical two-wire C30CN; CN35; A202	P8	P8	C400GK5	C400T14 <sup>③</sup>
With red RUN pilot light		P8P23	P8P23	C400GK52_	—
With red RUN/GREEN off lights		P8P23P25	P8P23P25	C400GK55_	—
Start/stop pushbuttons	Mechanical three-wire C30CN	P7	P7	C400GK7	C400T200
With red RUN pilot light		P7P23	P7P23	C400GK72_	—
With red RUN/GREEN off lights		P7P23P25	P7P23P25	C400GK75_	—
Start/stop pushbuttons	Electrical and mechanical two-wire C30CN	P7	P7	C400GK6	C400T13 <sup>③</sup>
With red RUN pilot light		P7P23	P7P23	C400GK62_	—
With red RUN/GREEN off lights		P7P23P25	P7P23P25	C400GK65_	—
HAND/OFF/AUTO cover control	Electrical and mechanical two-wire C30CN; CN35; A202	S3	S3 <sup>④</sup>	C400GK3	C400T12 <sup>③</sup>
With red RUN pilot light		S3P23	S3P23 <sup>④</sup>	C400GK32_	—
With red RUN/GREEN off lights		S3P23P25	S3P23P25 <sup>④</sup>	C400GK35_	—
Red RUN pilot light	All	P23	P23	C400GK42_	C400T9_
Green OFF pilot light		P25	P25	C400GK41_	C400T10_
Red RUN/green OFF pilot light		P23P25	P23P25	C400GK46_	C400T11_

**Notes**

- ① For use with non-combination units (box sizes 3–4).  
 ② Add code letter from table below to catalog number for voltage in place of \_.

Rating	Code Letter	Rating	Code Letter	Rating	Code Letter
24 V 60 Hz	T	240 V 60 Hz	B	480 V 60 Hz	C
120 V 60 Hz	A	277 V 60 Hz	H	600 V 60 Hz	D
208 V 60 Hz	E	380 V 60 Hz	L		

③ Selector switch.

④ With three-position selector switch, Mod **C20** (two-wire control relay) must be used with magnetically latched contactor (ECL04, ECL13, ECL15).

## Product Selection

## Two-Wire and Three-Wire Control Wiring Options—Two-Wire Control Standard

## Class ECC03—Non-Combination Electrically Held Lighting Contactor—Two or Three-Wire Control

Number of Poles	Type 1 Catalog Number ①	Type 3R Catalog Number ①	Type 4X ② Catalog Number ①	Type 7/9 Catalog Number ①	Type 12 Catalog Number ①	Component Contactor (Open) Catalog Number ①
<b>Continuous Amps—30</b>						
2	ECC03C1_2A	ECC03C2_2A	ECC03C4_2A	ECC03C6_2A	ECC03C8_2A	C30CNE20_0
3	ECC03C1_3A	ECC03C2_3A	ECC03C4_3A	ECC03C6_3A	ECC03C8_3A	C30CNE30_0
4	ECC03C1_4A	ECC03C2_4A	ECC03C4_4A	ECC03C6_4A	ECC03C8_4A	C30CNE40_0
5	ECC03C1_5A	ECC03C2_5A	ECC03C4_5A	ECC03C6_5A	ECC03C8_5A	C30CNE50_0
6	ECC03C1_6A	ECC03C2_6A	ECC03C4_6A	ECC03C6_6A	ECC03C8_6A	C30CNE60_0
7	ECC03C1_7A	ECC03C2_7A	ECC03C4_7A	ECC03C6_7A	ECC03C8_7A	C30CNE70_0
8	ECC03C1_8A	ECC03C2_8A	ECC03C4_8A	ECC03C6_8A	ECC03C8_8A	C30CNE80_0
9	ECC03C1_9A	ECC03C2_9A	ECC03C4_9A	ECC03C6_9A	ECC03C8_9A	C30CNE90_0
10	ECC03C1_AA	ECC03C2_AA	ECC03C4_AA	ECC03C6_AA	ECC03C8_AA	C30CNE100_0
12	ECC03C1_BA	ECC03C2_BA	ECC03C4_BA	ECC03C6_BA	ECC03C8_BA	C30CNE120_0

## Class ECC04—Non-Combination Mechanically Held Lighting Contactor—Two-Wire Control ③

Number of Poles	Type 1 Catalog Number ①	Type 3R Catalog Number ①	Type 4X ② Catalog Number ①	Type 7/9 Catalog Number ①	Type 12 Catalog Number ①	Component Contactor (Open) Catalog Number ①
<b>Continuous Amps—30</b>						
2	ECC04C1_2A	ECC04C2_2A	ECC04C4_2A	ECC04C6_2A	ECC04C8_2A	C30CNM20_
3	ECC04C1_3A	ECC04C2_3A	ECC04C4_3A	ECC04C6_3A	ECC04C8_3A	C30CNM30_
4	ECC04C1_4A	ECC04C2_4A	ECC04C4_4A	ECC04C6_4A	ECC04C8_4A	C30CNM40_
5	ECC04C1_5A	ECC04C2_5A	ECC04C4_5A	ECC04C6_5A	ECC04C8_5A	C30CNM50_
6	ECC04C1_6A	ECC04C2_6A	ECC04C4_6A	ECC04C6_6A	ECC04C8_6A	C30CNM60_
7	ECC04C1_7A	ECC04C2_7A	ECC04C4_7A	ECC04C6_7A	ECC04C8_7A	C30CNM70_
8	ECC04C1_8A	ECC04C2_8A	ECC04C4_8A	ECC04C6_8A	ECC04C8_8A	C30CNM80_
9	ECC04C1_9A	ECC04C2_9A	ECC04C4_9A	ECC04C6_9A	ECC04C8_9A	C30CNM90_
10	ECC04C1_AA	ECC04C2_AA	ECC04C4_AA	ECC04C6_AA	ECC04C8_AA	C30CNM100_
12	ECC04C1_BA	ECC04C2_BA	ECC04C4_BA	ECC04C6_BA	ECC04C8_BA	C30CNM120_

## Notes

① For first open position (coil voltage), use the table below.

② The catalog numbers listed in the Type 4X column are for Type 4X 304-Grade stainless steel, as indicated by the **seventh** digit. Example: ECC03C4A2A. To order Type 4X 316-Grade stainless steel, change that digit to **9**. To order Type 4 painted steel, change that digit to **3**. To order non-metallic, change that digit to **5**. For details on these alternate enclosures, see **Tab 13**.

Suffix	Coil Voltage	Suffix	Coil Voltage	Suffix	Coil Voltage
<b>A</b>	120/60 or 110/50	<b>D</b>	600/60 or 550/50	<b>T</b>	24/60
<b>B</b>	240/60 or 220/50	<b>E</b>	208/60	<b>V</b>	28/60 or 24/50
<b>C</b>	480/60 or 440/50	<b>H</b>	277/60 or 240/50	<b>X</b>	347/60

③ Add **C18** modification code for three-wire control.

To get the C30CN lighting contactor with normally closed power poles, see **Tab 15**, for modification codes.

## Class ECL03—Non-Combination Electrically Held Lighting Contactor

No. of Poles	Frame Size	Type 1 General Purpose Catalog Number ①	Type 3R Rainproof Catalog Number ①	Type 4X ② Watertight and Dust-Tight Stainless Steel Catalog Number ①	Type 7/9 Hazardous Location Catalog Number ①	Type 12 Dust-Tight Industrial Catalog Number ①	Component Contactor (Open) Catalog Number ①
<b>Maximum Ampere Rating — 10 ③</b>							
2	45 mm	ECL03A1_2A	ECL03A2_2A	ECL03A4_2A	ECL03A6_2A	ECL03A8_2A	CN35AN2_B
3		ECL03A1_3A	ECL03A2_3A	ECL03A4_3A	ECL03A6_3A	ECL03A8_3A	CN35AN3_B
4		ECL03A1_4A	ECL03A2_4A	ECL03A4_4A	ECL03A6_4A	ECL03A8_4A	CN35AN4_B
5		ECL03A1_5A	ECL03A2_5A	ECL03A4_5A	ECL03A6_5A	ECL03A8_5A	—
6		ECL03A1_6A	ECL03A2_6A	ECL03A4_6A	ECL03A6_6A	ECL03A8_6A	—
9		ECL03A1_9A	ECL03A2_9A	ECL03A4_9A	ECL03A6_9A	ECL03A8_9A	—
10		ECL03A1_AA	ECL03A2_AA	ECL03A4_AA	ECL03A6_AA	ECL03A8_AA	—
12		ECL03A1_BA	ECL03A2_BA	ECL03A4_BA	ECL03A6_BA	ECL03A8_BA	—
20		ECL03A1_CA	ECL03A2_CA	ECL03A4_CA	ECL03A6_CA	ECL03A8_CA	—
<b>Maximum Ampere Rating — 20 ③</b>							
2	45 mm	ECL03B1_2A	ECL03B2_2A	ECL03B4_2A	ECL03B6_2A	ECL03B8_2A	CN35BN2_B
3		ECL03B1_3A	ECL03B2_3A	ECL03B4_3A	ECL03B6_3A	ECL03B8_3A	CN35BN3_B
4		ECL03B1_4A	ECL03B2_4A	ECL03B4_4A	ECL03B6_4A	ECL03B8_4A	CN35BN4_B
5		ECL03B1_5A	ECL03B2_5A	ECL03B4_5A	ECL03B6_5A	ECL03B8_5A	—
6		ECL03B1_6A	ECL03B2_6A	ECL03B4_6A	ECL03B6_6A	ECL03B8_6A	CN35BN6_B
9		ECL03B1_9A	ECL03B2_9A	ECL03B4_9A	ECL03B6_9A	ECL03B8_9A	CN35BN9_B
10		ECL03B1_AA	ECL03B2_AA	ECL03B4_AA	ECL03B6_AA	ECL03B8_AA	—
12		ECL03B1_BA	ECL03B2_BA	ECL03B4_BA	ECL03B6_BA	ECL03B8_BA	CN35BN12_B
20		ECL03B1_CA	ECL03B2_CA	ECL03B4_CA	ECL03B6_CA	ECL03B8_CA	—
<b>Maximum Ampere Rating — 30 ③</b>							
2	45 mm	ECL03C1_2A	ECL03C2_2A	ECL03C4_2A	ECL03C6_2A	ECL03C8_2A	CN35DN2_B
3		ECL03C1_3A	ECL03C2_3A	ECL03C4_3A	ECL03C6_3A	ECL03C8_3A	CN35DN3_B
4		ECL03C1_4A	ECL03C2_4A	ECL03C4_4A	ECL03C6_4A	ECL03C8_4A	CN35DN4_B
5		ECL03C1_5A	ECL03C2_5A	ECL03C4_5A	ECL03C6_5A	ECL03C8_5A	CN35DN5_B
6		ECL03C1_6A	ECL03C2_6A	ECL03C4_6A	ECL03C6_6A	ECL03C8_6A	CN35DN6_B
9		ECL03C1_9A	ECL03C2_9A	ECL03C4_9A	ECL03C6_9A	ECL03C8_9A	CN35DN9_B
10		ECL03C1_AA	ECL03C2_AA	ECL03C4_AA	ECL03C6_AA	ECL03C8_AA	—
12		ECL03C1_BA	ECL03C2_BA	ECL03C4_BA	ECL03C6_BA	ECL03C8_BA	CN35DN12_B
20		ECL03C1_CA	ECL03C2_CA	ECL03C4_CA	ECL03C6_CA	ECL03C8_CA	—
<b>Maximum Ampere Rating — 60 ③</b>							
2	65 mm	ECL03D1_2A	ECL03D2_2A	ECL03D4_2A	ECL03D6_2A	ECL03D8_2A	CN35GN2_B
3		ECL03D1_3A	ECL03D2_3A	ECL03D4_3A	ECL03D6_3A	ECL03D8_3A	CN35GN3_B
4		ECL03D1_4A	ECL03D2_4A	ECL03D4_4A	ECL03D6_4A	ECL03D8_4A	CN35GN4_B
5		ECL03D1_5A	ECL03D2_5A	ECL03D4_5A	ECL03D6_5A	ECL03D8_5A	CN35GN5_B
6		ECL03D1_6A	ECL03D2_6A	ECL03D4_6A	ECL03D6_6A	ECL03D8_6A	—
9		ECL03D1_9A	ECL03D2_9A	ECL03D4_9A	ECL03D6_9A	ECL03D8_9A	—
10		ECL03D1_AA	ECL03D2_AA	ECL03D4_AA	ECL03D6_AA	ECL03D8_AA	—
12		ECL03D1_BA	ECL03D2_BA	ECL03D4_BA	ECL03D6_BA	ECL03D8_BA	—

## Notes

① For open position (coil voltage), use the table below:

Suffix	Coil Voltage	Suffix	Coil Voltage	Suffix	Coil Voltage
A	120/60 or 110/5	C	480/60 or 440/50	E	208/60
B	240/60 or 220/50	D	600/60 or 550/50	H	277/60

② The catalog numbers listed in the Type 4X column are for Type 4X 304-Grade stainless steel, as indicated by the seventh digit. Example: ECL03B4A2A. To order Type 4X 316-Grade stainless steel, change that digit to 9. To order Type 4 painted steel, change that digit to 3. To order non-metallic, change that digit to 5. For details on these alternate enclosures, see **Tab 13**.

③ Ampere ratings are based on a maximum load voltage of 480 V for tungsten lamp applications and 600 V for ballast or mercury vapor type applications.



#### Class ECL03—Non-Combination Electrically Held Lighting Contactor, continued

No. of Poles	Frame Size	Type 1 General Purpose Catalog Number ①	Type 3R Rainproof Catalog Number ①	Type 4X ② Watertight and Dust-Tight Stainless Steel Catalog Number ①	Type 7/9 Hazardous Location Catalog Number ①	Type 12 Dust-Tight Industrial Catalog Number ①	Component Contactor (Open) Catalog Number ①
<b>Maximum Ampere Rating — 100 ③</b>							
2	90 mm	ECL03E1_2A	ECL03E2_2A	ECL03E4_2A	ECL03E6_2A	ECL03E8_2A	CN35KN2_
3		ECL03E1_3A	ECL03E2_3A	ECL03E4_3A	ECL03E6_3A	ECL03E8_3A	CN35KN3_
4		ECL03E1_4A	ECL03E2_4A	ECL03E4_4A	ECL03E6_4A	ECL03E8_4A	—
5		ECL03E1_5A	ECL03E2_5A	ECL03E4_5A	ECL03E6_5A	ECL03E8_5A	—
6		ECL03E1_6A	ECL03E2_6A	ECL03E4_6A	ECL03E6_6A	ECL03E8_6A	—
9		ECL03E1_9A	ECL03E2_9A	ECL03E4_9A	ECL03E6_9A	ECL03E8_9A	—
<b>Maximum Ampere Rating — 200 ③</b>							
2	180 mm	ECL03F1_2A	ECL03F2_2A	ECL03F4_2A	ECL03F6_2A	ECL03F8_2A	CN35NN2_
3		ECL03F1_3A	ECL03F2_3A	ECL03F4_3A	ECL03F6_3A	ECL03F8_3A	CN35NN3_
4		ECL03F1_4A	ECL03F2_4A	ECL03F4_4A	ECL03F6_4A	ECL03F8_4A	—
5		ECL03F1_5A	ECL03F2_5A	ECL03F4_5A	ECL03F6_5A	ECL03F8_5A	—
6		ECL03F1_6A	ECL03F2_6A	ECL03F4_6A	ECL03F6_6A	ECL03F8_6A	—
<b>Maximum Ampere Rating — 300 ③</b>							
2	180 mm	ECL03G1_2A	ECL03G2_2A	ECL03G4_2A	ECL03G6_2A	ECL03G8_2A	CN35SN2_
3		ECL03G1_3A	ECL03G2_3A	ECL03G4_3A	ECL03G6_3A	ECL03G8_3A	CN35SN3_
4		ECL03G1_4A	ECL03G2_4A	ECL03G4_4A	ECL03G6_4A	ECL03G8_4A	—
5		ECL03G1_5A	ECL03G2_5A	ECL03G4_5A	ECL03G6_5A	ECL03G8_5A	—
6		ECL03G1_6A	ECL03G2_6A	ECL03G4_6A	ECL03G6_6A	ECL03G8_6A	—
<b>Maximum Ampere Rating — 400 ③④</b>							
2	220 mm	ECL03H1_2A	ECL03H2_2A	ECL03H4_2A	ECL03H6_2A	ECL03H8_2A	CN35TN2_
3		ECL03H1_3A	ECL03H2_3A	ECL03H4_3A	ECL03H6_3A	ECL03H8_3A	CN35TN3_

#### Notes

① For open position (coil voltage), use the table below:

Suffix	Coil Voltage	Suffix	Coil Voltage	Suffix	Coil Voltage
<b>A</b>	120/60 or 110/5	<b>C</b>	480/60 or 440/50	<b>E</b>	208/60
<b>B</b>	240/60 or 220/50	<b>D</b>	600/60 or 550/50	<b>H</b>	277/60

② The catalog numbers listed in the Type 4X column are for Type 4X 304-Grade stainless steel, as indicated by the **seventh** digit. Example: ECL03E**4**A2A. To order Type 4X 316-Grade stainless steel, change that digit to **9**. To order Type 4 painted steel, change that digit to **3**. To order non-metallic, change that digit to **5**. For details on these alternate enclosures, see **Tab 13**.

③ Ampere ratings are based on a maximum load voltage of 480 V for tungsten lamp applications and 600 V for ballast or mercury vapor type applications.

④ UL ballast and resistive ratings only.

## Operation

A permanent magnet is built into the contactor structure that will maintain the contactor in its energized state indefinitely without using control power. When

energized, a DC current is applied to the latch coil, producing a magnetic field that reinforces the polarity of the permanent magnet, pulling in the contactor. The current to

the coil is disconnected by the coil clearing interlock. In order to drop out the contactor, it is necessary to apply a field through the STOP coil in the reverse

direction to the permanent magnet. This momentarily cancels the magnetic attraction and the contactor drops out.

## Non-Combination Contactors

### Class ECL04—Non-Combination Magnetically Latched Lighting Contactor

No. of Poles	Type 1 General Purpose Catalog Number <sup>①</sup>	Type 3R Rainproof Catalog Number <sup>①</sup>	Type 4X <sup>②</sup> Watertight and Dust-Tight Stainless Steel Catalog Number <sup>①</sup>	Type 7/9 Hazardous Location Catalog Number <sup>①</sup>	Type 12 Dust-Tight Industrial Catalog Number <sup>①</sup>	Component Contactor (Open) Catalog Number <sup>①</sup>
<b>Maximum Ampere Rating—30 <sup>③</sup></b>						
2	ECL04C1_2A	ECL04C2_2A	ECL04C4_2A	ECL04C6_2A	ECL04C8_2A	A202K1B_M
3	ECL04C1_3A	ECL04C2_3A	ECL04C4_3A	ECL04C6_3A	ECL04C8_3A	A202K1C_M
4	ECL04C1_4A	ECL04C2_4A	ECL04C4_4A	ECL04C6_4A	ECL04C8_4A	A202K1D_M
5	ECL04C1_5A	ECL04C2_5A	ECL04C4_5A	ECL04C6_5A	ECL04C8_5A	A202K1E_M
6	ECL04C1_6A	ECL04C2_6A	ECL04C4_6A	ECL04C6_6A	ECL04C8_6A	A202K1F_M
8	ECL04C1_8A	ECL04C2_8A	ECL04C4_8A	ECL04C6_8A	ECL04C8_8A	A202K1G_M
9	ECL04C1_9A	ECL04C2_9A	ECL04C4_9A	ECL04C6_9A	ECL04C8_9A	—
10	ECL04C1_AA	ECL04C2_AA	ECL04C4_AA	ECL04C6_AA	ECL04C8_AA	A202K1H_M
12	ECL04C1_BA	ECL04C2_BA	ECL04C4_BA	ECL04C6_BA	ECL04C8_BA	A202K1K_M
20	ECL04C1_CA	ECL04C2_CA	ECL04C4_CA	ECL04C6_CA	ECL04C8_CA	—
<b>Maximum Ampere Rating—60 <sup>③</sup></b>						
2	ECL04D1_2A	ECL04D2_2A	ECL04D4_2A	ECL04D6_2A	ECL04D8_2A	A202K2B_M
3	ECL04D1_3A	ECL04D2_3A	ECL04D4_3A	ECL04D6_3A	ECL04D8_3A	A202K2C_M
4	ECL04D1_4A	ECL04D2_4A	ECL04D4_4A	ECL04D6_4A	ECL04D8_4A	A202K2D_M
5	ECL04D1_5A	ECL04D2_5A	ECL04D4_5A	ECL04D6_5A	ECL04D8_5A	A202K2E_M
6	ECL04D1_6A	ECL04D2_6A	ECL04D4_6A	ECL04D6_6A	ECL04D8_6A	A202K2F_M
8	ECL04D1_8A	ECL04D2_8A	ECL04D4_8A	ECL04D6_8A	ECL04D8_8A	A202K2G_M
9	ECL04D1_9A	ECL04D2_9A	ECL04D4_9A	ECL04D6_9A	ECL04D8_9A	—
10	ECL04D1_AA	ECL04D2_AA	ECL04D4_AA	ECL04D6_AA	ECL04D8_AA	A202K2H_M
12	ECL04D1_BA	ECL04D2_BA	ECL04D4_BA	ECL04D6_BA	ECL04D8_BA	A202K2K_M
20	ECL04D1_CA	ECL04D2_CA	ECL04D4_CA	ECL04D6_CA	ECL04D8_CA	—

#### Notes

<sup>①</sup> For open position (coil voltage), use the table below:

Enclosed Suffix	Open Suffix	Coil Voltage	Enclosed Suffix	Open Suffix	Coil Voltage
<b>A</b>	<b>A</b>	120/60 or 110/50	<b>D</b>	<b>E</b>	600/60
<b>B</b>	<b>W</b>	240/60 or 220/50	<b>E</b>	<b>B</b>	208/60
<b>C</b>	<b>X</b>	480/60 or 440/50	<b>H</b>	<b>Z</b>	277/60

<sup>②</sup> The catalog numbers listed in the Type 4X column are for Type 4X 304-Grade stainless steel, as indicated by the **seventh** digit. Example: ECL04C4A2A. To order Type 4X 316-Grade stainless steel, change that digit to **9**. To order Type 4 painted steel, change that digit to **3**. To order non-metallic, change that digit to **5**. For details on these alternate enclosures, see **Tab 13**.

<sup>③</sup> Ampere ratings are based on a maximum load voltage of 480 V for tungsten lamp applications and 600 V for ballast or mercury vapor type applications.

#### Class ECL04—Non-Combination Magnetically Latched Lighting Contactor, continued

No. of Poles	Type 1 General Purpose Catalog Number ①	Type 3R Rainproof Catalog Number ①	Type 4X ② Watertight and Dust-Tight Stainless Steel Catalog Number ①	Type 7/9 Hazardous Location Catalog Number ①	Type 12 Dust-Tight Industrial Catalog Number ①	Component Contactor (Open) Catalog Number ①
<b>Maximum Ampere Rating—100 ③</b>						
2	ECL04E1_2A	ECL04E2_2A	ECL04E4_2A	ECL04E6_2A	ECL04E8_2A	A202K3B_M
3	ECL04E1_3A	ECL04E2_3A	ECL04E4_3A	ECL04E6_3A	ECL04E8_3A	A202K3C_M
4	ECL04E1_4A	ECL04E2_4A	ECL04E4_4A	ECL04E6_4A	ECL04E8_4A	A202K3D_M
5	ECL04E1_5A	ECL04E2_5A	ECL04E4_5A	ECL04E6_5A	ECL04E8_5A	A202K3E_M
6	ECL04E1_6A	ECL04E2_6A	ECL04E4_6A	ECL04E6_6A	ECL04E8_6A	A202K3F_M
8	ECL04E1_8A	ECL04E2_8A	ECL04E4_8A	ECL04E6_8A	ECL04E8_8A	A202K3G_M
9	ECL04E1_9A	ECL04E2_9A	ECL04E4_9A	ECL04E6_9A	ECL04E8_9A	—
10	ECL04E1_AA	ECL04E2_AA	ECL04E4_AA	ECL04E6_AA	ECL04E8_AA	A202K3H_M
12	ECL04E1_BA	ECL04E2_BA	ECL04E4_BA	ECL04E6_BA	ECL04E8_BA	A202K3K_M
20	ECL04E1_CA	ECL04E2_CA	ECL04E4_CA	ECL04E6_CA	ECL04E8_CA	—
<b>Maximum Ampere Rating—200 ③</b>						
2	ECL04F1_2A	ECL04F2_2A	ECL04F4_2A	ECL04F6_2A	ECL04F8_2A	A202K4B_M
3	ECL04F1_3A	ECL04F2_3A	ECL04F4_3A	ECL04F6_3A	ECL04F8_3A	A202K4C_M
4	ECL04F1_4A	ECL04F2_4A	ECL04F4_4A	ECL04F6_4A	ECL04F8_4A	A202K4D_M
5	ECL04F1_5A	ECL04F2_5A	ECL04F4_5A	ECL04F6_5A	ECL04F8_5A	A202K4E_M
6	ECL04F1_6A	ECL04F2_6A	ECL04F4_6A	ECL04F6_6A	ECL04F8_6A	A202K4F_M
8	ECL04F1_8A	ECL04F2_8A	ECL04F4_8A	ECL04F6_8A	ECL04F8_8A	A202K4G_M
9	ECL04F1_9A	ECL04F2_9A	ECL04F4_9A	ECL04F6_9A	ECL04F8_9A	—
10	ECL04F1_AA	ECL04F2_AA	ECL04F4_AA	ECL04F6_AA	ECL04F8_AA	A202K4H_M
12	ECL04F1_BA	ECL04F2_BA	ECL04F4_BA	ECL04F6_BA	ECL04F8_BA	A202K4K_M
20	ECL04F1_CA	ECL04F2_CA	ECL04F4_CA	ECL04F6_CA	ECL04F8_CA	—
<b>Maximum Ampere Rating—300 ③</b>						
2	ECL04G1_2A	ECL04G2_2A	ECL04G4_2A	ECL04G6_2A	ECL04G8_2A	A202K5B_M A202K5C_M
3	ECL04G1_3A	ECL04G2_3A	ECL04G4_3A	ECL04G6_3A	ECL04G8_3A	A202K5C_M
4	ECL04G1_4A	ECL04G2_4A	ECL04G4_4A	ECL04G6_4A	ECL04G8_4A	—
5	ECL04G1_5A	ECL04G2_5A	ECL04G4_5A	ECL04G6_5A	ECL04G8_5A	—
6	ECL04G1_6A	ECL04G2_6A	ECL04G4_6A	ECL04G6_6A	ECL04G8_6A	—
<b>Maximum Ampere Rating—400 ③</b>						
2	ECL04H1_2A	ECL04H2_2A	ECL04H4_2A	ECL04H6_2A	ECL04H8_2A	A202K6B_M
3	ECL04H1_3A	ECL04H2_3A	ECL04H4_3A	ECL04H6_3A	ECL04H8_3A	A202K6C_M
4	ECL04H1_4A	ECL04H2_4A	ECL04H4_4A	ECL04H6_4A	ECL04H8_4A	—
5	ECL04H1_5A	ECL04H2_5A	ECL04H4_5A	ECL04H6_5A	ECL04H8_5A	—
6	ECL04H1_6A	ECL04H2_6A	ECL04H4_6A	ECL04H6_6A	ECL04H8_6A	—

#### Notes

① For open position (coil voltage), use the table below:

Enclosed Suffix	Open Suffix	Coil Voltage	Enclosed Suffix	Open Suffix	Coil Voltage
<b>A</b>	<b>A</b>	120/60 or 110/50	<b>D</b>	<b>E</b>	600/60
<b>B</b>	<b>W</b>	240/60 or 220/50	<b>E</b>	<b>B</b>	208/60
<b>C</b>	<b>X</b>	480/60 or 440/50	<b>H</b>	<b>Z</b>	277/60

② The catalog numbers listed in the Type 4X column are for Type 4X 304-Grade stainless steel, as indicated by the **seventh** digit. Example: ECL04E6A2A. To order Type 4X 316-Grade stainless steel, change that digit to **9**. To order Type 4 painted steel, change that digit to **3**. To order non-metallic, change that digit to **5**. For details on these alternate enclosures, see **Tab 13**.

③ Ampere ratings are based on a maximum load voltage of 480 V for tungsten lamp applications and 600 V for ballast or mercury vapor type applications.

## Combination Contactors

## Class ECL12 and ECL13—Combination Lighting Contactor—Fusible Disconnect

Max. Amp Rating <sup>①</sup>	No. of Poles	Fuse Clips Amps/Volts <sup>②</sup>	Type 1 General Purpose Catalog Number <sup>③</sup>	Type 3R Rainproof Catalog Number <sup>③</sup>	Type 4X <sup>④</sup> Watertight and Dust-Tight SS Catalog Number <sup>③</sup>	Type 7/9 Hazardous Location Catalog Number <sup>③</sup>	Type 12 Dust-Tight Industrial Catalog Number <sup>③</sup>	Component Contactor (Open) Catalog Number <sup>③</sup>
<b>Electrically Held—Class ECL12</b>								
30	3	30/250	ECL12C1_3B	ECL12C2_3B	ECL12C4_3B	ECL12C6_3B	ECL12C8_3B	CN35DN3_B
		30/600	ECL12C1_3C	ECL12C2_3C	ECL12C4_3C	ECL12C6_3C	ECL12C8_3C	—
60		60/250	ECL12D1_3D	ECL12D2_3D	ECL12D4_3D	ECL12D6_3D	ECL12D8_3D	CN35GN3_B
		60/600	ECL12D1_3E	ECL12D2_3E	ECL12D4_3E	ECL12D6_3E	ECL12D8_3E	—
100		100/250	ECL12E1_3F	ECL12E2_3F	ECL12E4_3F	ECL12E6_3F	ECL12E8_3F	CN35KN3_
		100/600	ECL12E1_3G	ECL12E2_3G	ECL12E4_3G	ECL12E6_3G	ECL12E8_3G	—
200		200/250	ECL12F1_3H	ECL12F2_3H	ECL12F4_3H	ECL12F6_3H	ECL12F8_3H	CN35NN3_
		200/600	ECL12F1_3J	ECL12F2_3J	ECL12F4_3J	ECL12F6_3J	ECL12F8_3J	—
300		400/250	ECL12G1_3K	ECL12G2_3K	ECL12G4_3K	ECL12G6_3K	ECL12G8_3K	CN35SN3_
		400/600	ECL12G1_3L	ECL12G2_3L	ECL12G4_3L	ECL12G6_3L	ECL12G8_3L	—
400		400/250	ECL12H1_3K	ECL12H2_3K	ECL12H4_3K	ECL12H6_3K	ECL12H8_3K	CN35TN3_
		400/600	ECL12H1_3L	ECL12H2_3L	ECL12H4_3L	ECL12H6_3L	ECL12H8_3L	—
<b>Magnetically Latched—Class ECL13</b>								
30	3	30/250	ECL13C1_3B	ECL13C2_3B	ECL13C4_3B	ECL13C6_3B	ECL13C8_3B	A202K1C_M
		30/600	ECL13C1_3C	ECL13C2_3C	ECL13C4_3C	ECL13C6_3C	ECL13C8_3C	—
60		60/250	ECL13D1_3D	ECL13D2_3D	ECL13D4_3D	ECL13D6_3D	ECL13D8_3D	A202K2C_M
		60/600	ECL13D1_3E	ECL13D2_3E	ECL13D4_3E	ECL13D6_3E	ECL13D8_3E	—
100		100/250	ECL13E1_3F	ECL13E2_3F	ECL13E4_3F	ECL13E6_3F	ECL13E8_3F	A202K3C_M
		100/600	ECL13E1_3G	ECL13E2_3G	ECL13E4_3G	ECL13E6_3G	ECL13E8_3G	—
200		200/250	ECL13F1_3H	ECL13F2_3H	ECL13F4_3H	ECL13F6_3H	ECL13F8_3H	A202K4C_M
		200/600	ECL13F1_3J	ECL13F2_3J	ECL13F4_3J	ECL13F6_3J	ECL13F8_3J	—

**Notes**

- ① The listed ampere ratings are based on a maximum load voltage of 480 V for tungsten lamp applications and 600 V for ballasts or mercury vapor type applications.
- ② Power fuses are not included.
- ③ The underscore ( \_ ) indicates missing code letter for coil selection—see table below. Example: Magnet coils with 120/110 V coils—change the eighth character to **A**. ECL12C1**A**3B.

Rating	Code Letter	Rating	Code Letter	Rating	Code Letter
120 V 60 Hz	<b>A</b>	240 V 60 Hz	<b>B</b>	480 V 60 Hz	<b>C</b>
208 V 60 Hz	<b>E</b>	277 V 60 Hz	<b>H</b>	600 V 60 Hz	<b>D</b>

- ④ The catalog numbers listed in the Type 4X column are for Type 4X 304-Grade stainless steel, as indicated by the **seventh** digit. Example: ECL12C**4**A3B. To order Type 4X 316-Grade stainless steel, change that digit to **9**. To order Type 4 painted steel, change that digit to **3**. To order non-metallic, change that digit to **5**. For details on these alternate enclosures, see **Tab 13**.

# 4.1

## Lighting Contactors

### UL Rated AC Contactors

4

#### Class ECL14 and ECL15—Combination Lighting Contactor—Thermal Magnetic Circuit Breaker

Max. Amp Rating <sup>①</sup>	No. of Poles	Continuous Ampere Rating at 40°C	Type 1 General Purpose Catalog Number <sup>②</sup>	Type 3R Rainproof Catalog Number <sup>②</sup>	Type 4X <sup>③</sup> Watertight and Dust-Tight SS Catalog Number <sup>②</sup>	Type 7/9 Hazardous Location Catalog Number <sup>②</sup>	Type 12 Dust-Tight Industrial Catalog Number <sup>②</sup>	Component Contactor (Open) Catalog Number <sup>②</sup>
<b>Electrically Held—Class ECL14</b>								
30	3	30	ECL14C1_3E	ECL14C2_3E	ECL14C4_3E	ECL14C6_3E	ECL14C8_3E	CN35DN3_B
60		60	ECL14D1_3F	ECL14D2_3F	ECL14D4_3F	ECL14D6_3F	ECL14D8_3F	CN35GN3_B
100		100	ECL14E1_3G	ECL14E2_3G	ECL14E4_3G	ECL14E6_3G	ECL14E8_3G	CN35KN3_
200		200	ECL14F1_3H	ECL14F2_3H	ECL14F4_3H	ECL14F6_3H	ECL14F8_3H	CN35NN3_
300		300	ECL14G1_3J	ECL14G2_3J	ECL14G4_3J	ECL14G6_3J	ECL14G8_3J	CN35SN3_
400		400	ECL14H1_3K	ECL14H2_3K	ECL14H4_3K	ECL14H6_3K	ECL14H8_3K	CN35TN3_
<b>Magnetically Latched—Class ECL15</b>								
30	3	30	ECL15C1_3E	ECL15C2_3E	ECL15C4_3E	ECL15C6_3E	ECL15C8_3E	A202K1C_M
60		60	ECL15D1_3F	ECL15D2_3F	ECL15D4_3F	ECL15D6_3F	ECL15D8_3F	A202K2C_M
100		100	ECL15E1_3G	ECL15E2_3G	ECL15E4_3G	ECL15E6_3G	ECL15E8_3G	A202K3C_M
200		200	ECL15F1_3H	ECL15F2_3H	ECL15F4_3H	ECL15F6_3H	ECL15F8_3H	A202K4C_M

#### Notes

- ① The listed ampere ratings are based on a maximum load voltage of 480 V for tungsten lamp applications and 600 V for ballasts or mercury vapor type applications.
- ② The underscore ( \_ ) indicates missing code letter for coil selection—see table below. Example: Magnet coils with 120/110 V coils—change the eighth character to **A**. ECL14C1**A**3E.

Rating	Code Letter	Rating	Code Letter	Rating	Code Letter
120 V 60 Hz	<b>A</b>	240 V 60 Hz	<b>B</b>	480 V 60 Hz	<b>C</b>
208 V 60 Hz	<b>E</b>	277 V 60 Hz	<b>H</b>	600 V 60 Hz	<b>D</b>

- ③ The catalog numbers listed in the Type 4X column are for Type 4X 304-Grade stainless steel, as indicated by the **seventh** digit. Example: ECL14C**4**A3E. To order Type 4X 316-Grade stainless steel, change that digit to **9**. To order Type 4 painted steel, change that digit to **3**. To order non-metallic, change that digit to **5**. For details on these alternate enclosures, see **Tab 13**.

Additional common modifications are available for outside lighting for ballfields, parks, and so on:

- **E7**—Service entrance
- **E5**—Enclosure with pole mounting brackets
- **P70**—Photocell
- **T1–T25**—Timers

See **Tab 15** for details.

## Accessories

### Auxiliary Contacts

**C30CN Electrically Held Contactors**—The base C30CN product line can accept up to four auxiliary contacts (2NO/2NC), which are mounted on the top of the unit. The auxiliary contacts, rated A600, are also suitable for use on low-level circuits down to 12 V, 5 mA.

**CN35 Electrically Held Contactors**—Include a NO maintaining auxiliary contact mounted on the right side of the contactor or integral to the contactor. The 10–60 A devices will accept additional auxiliary contacts on the top (front) and/or sides. The 100–400 A sizes will accept side-mounted auxiliaries only.

### Mechanically Held and Magnetically Latched

Holding circuit auxiliary contact, if needed, is not included and should be added separately as an option.

### Power Poles for C30CN

The C30CN can be configured with up to 12 poles (30 A maximum per pole). Power poles are available in single or double pole designs and can be mounted to provide either normally open or normally closed operation with a maximum of 12 NO poles or 8 NC and 4 NO poles. Each pole is capable of accepting up to 8 AWG wire.

### Two-Wire or Three-Wire Control Module for C30CN

A mechanical latch with a two- or three-wire electronic control module delivers reliable performance and protection from such application abnormalities as line noise, leakage currents from controller outputs, or short repetitive commands burst from faulty controllers. For enclosed control, units come standard with two-wire control.

**IMPORTANT:** Add the **C18** modification code to get three-wire control with the C30CN contactor.

### Mechanically Held Kit for C30CN

A modification kit allows the conversion of an electrically held lighting contactor into a mechanically held contactor.

### Coil Kits for C30CN

The C30CN line comes in a wide range of input voltages and with coils from 24 Vac to 600 Vac.

### Two-Wire Control Relay for A202

The two-wire control relay is designed to field convert three-wire magnetically latched lighting contactors to operate controls such as photocells and timers. Terminal blocks included for fast wiring installation.

#### Enclosed Lighting Contactors



#### Type 1 Two-Wire Control Relay

Description	Magnetic Coil Voltage	Type 1 Catalog Number	Type 3R Catalog Number
Two-wire control relay	120	ECLC201A	ECLC202A
	208	ECLC201E	ECLC202E
	240	ECLC201B	ECLC202B
	277	ECLC201H	ECLC202H
	480	ECLC201C	ECLC202C

#### Wiring Diagrams

#### C30CN with C600 Control (To be used with Box 1 and Box 2 only)

##### COMBINATION MOTOR CONTROLLER

##### Connections for Control Stations

##### Local Control

Figure A  
START/STOP Pushbuttons

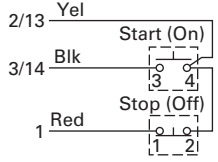


Figure B  
START/STOP Selector Switch

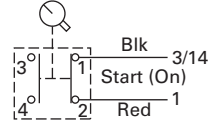


Figure D  
Two-Position Selector Switch

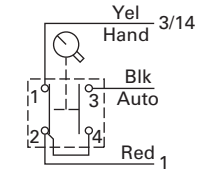


Figure C  
Three-Position Selector Switch

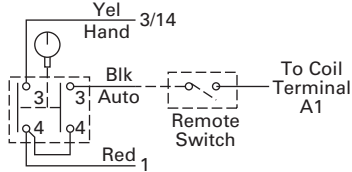


Figure E  
Pilot Light (Motor RUN)

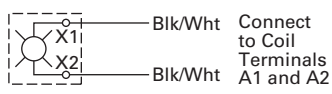
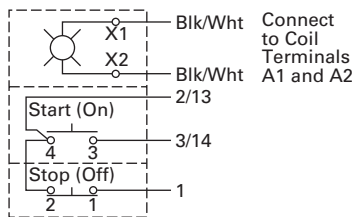
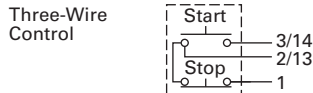
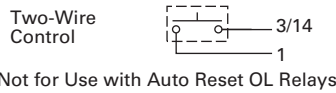


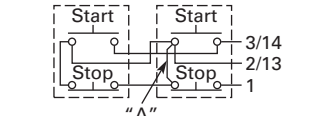
Figure F  
START/STOP with Pilot Light



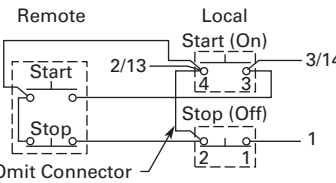
##### Remote Control



When More Than One Pushbutton Station is Used, Omit Connector "A" and Connect per Sketch Below



##### Combined Remote and Local (For Figures 1 and 2)



##### Connections for Starters

Figure 1—Front View Diagram

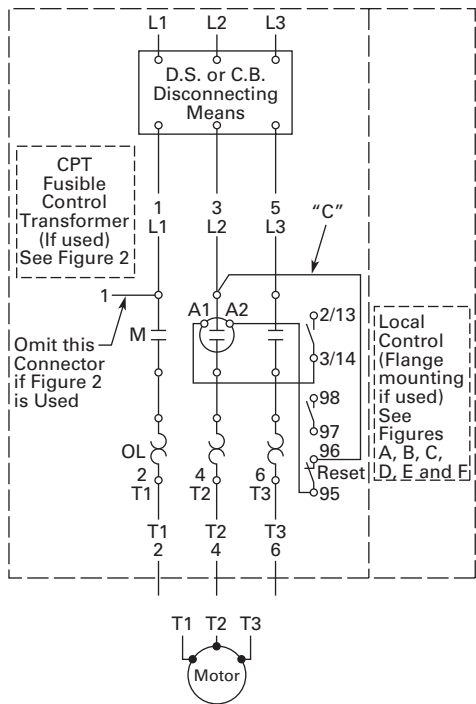
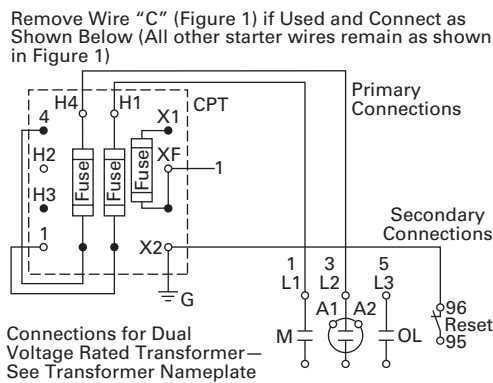
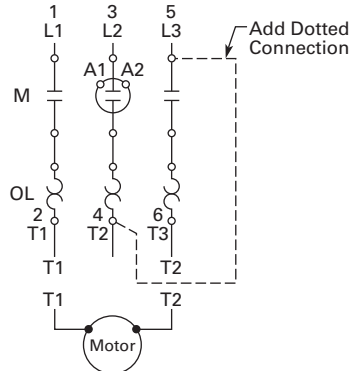


Figure 2—Fusible Control Transformer



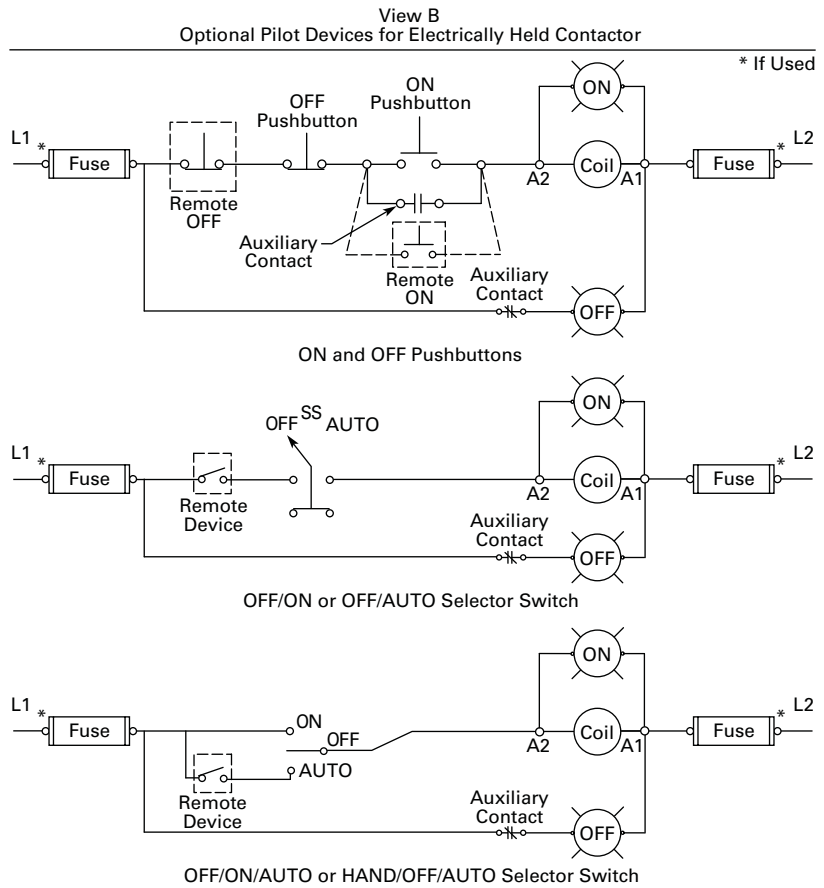
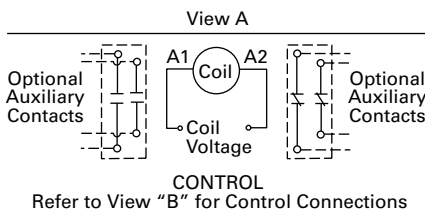
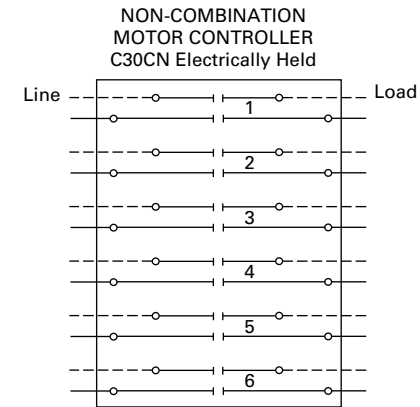
Field Conversion to Single-Phase



#### SEPARATE CONTROL

Remove Wire "C" when it is Supplied. Connect Separate Control Lines to #1 Terminal on the Remote Pilot Device, and to the #96 Terminal on the Overload Relay.

### C30CN with C600 Control (To be used with Box 1 and Box 2 only), continued





# 4.1

## Lighting Contactors

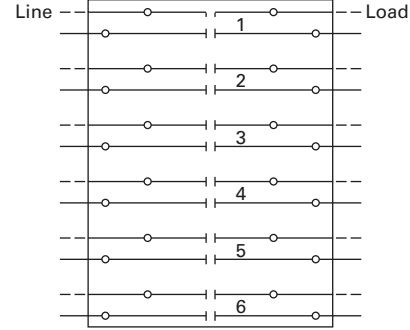
### UL Rated AC Contactors

#### C30CN with C600 Control (To be used with Box 1 and Box 2 only), continued

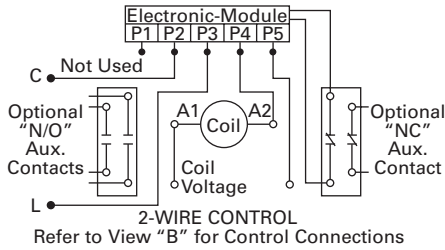
4

**NON-COMBINATION  
MOTOR CONTROLLER  
C30CNM Mechanically Held**

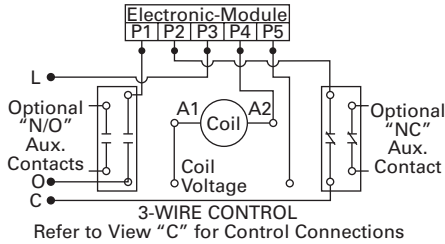
Refer to View "A" for 2-/3-Wire Control Options



View A

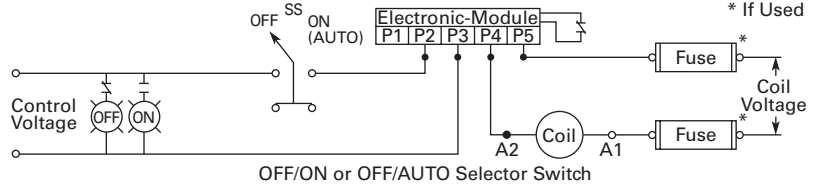


Refer to View "B" for Control Connections

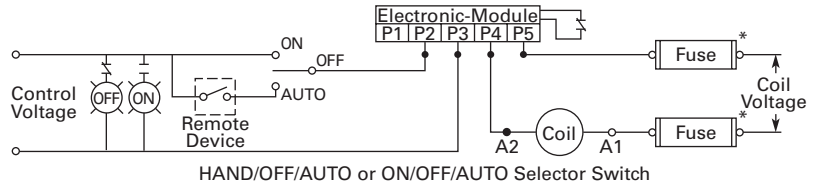


Refer to View "C" for Control Connections

View B  
Optional Pilot Devices for 2-Wire Control

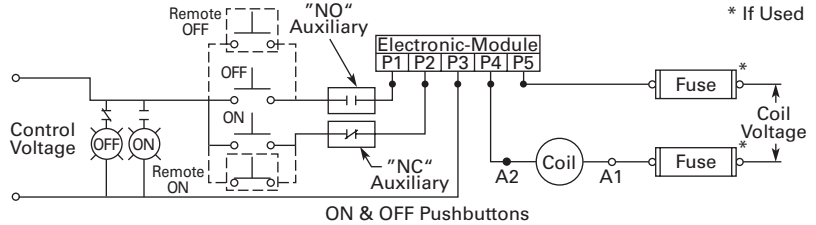


OFF/ON or OFF/AUTO Selector Switch

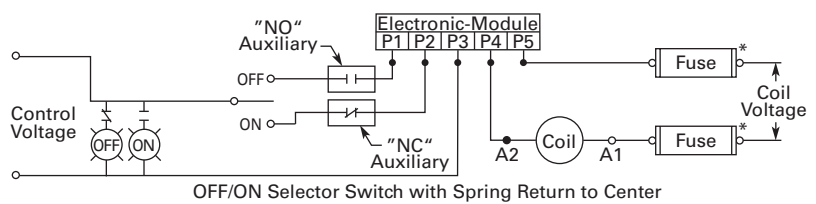


HAND/OFF/AUTO or ON/OFF/AUTO Selector Switch

View C  
Optional Pilot Devices for 3-Wire Control



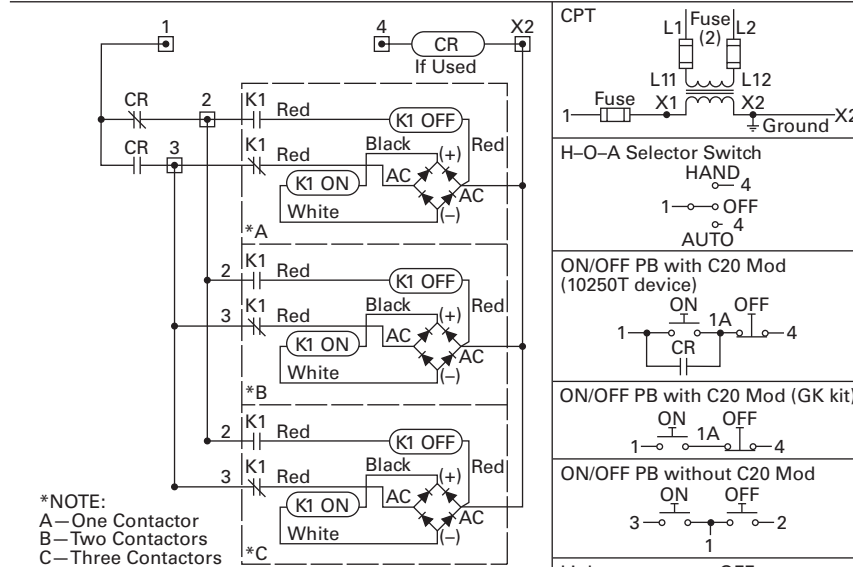
ON & OFF Pushbuttons



OFF/ON Selector Switch with Spring Return to Center

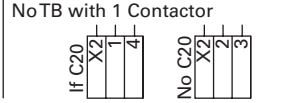
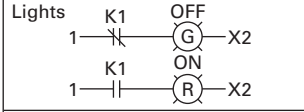
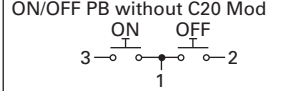
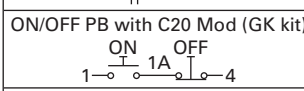
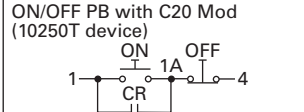
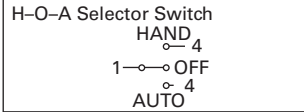
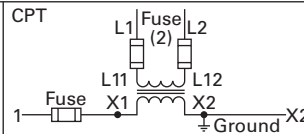
A202 Magnetically Latched with C400 Control

30–200A L04 Contactor 2–12 Pole



\*NOTE:  
A—One Contactor  
B—Two Contactors  
C—Three Contactors

Suitable for Use on a Circuit Capable of Producing Not More Than 5,000 (33–100A) or 10,000 (200A) rms Symmetrical Amperes, 600 Volts Maximum	POWER TERMINATIONS Use 60/75°C Al/Cu Conductors Only		
	Contactor Size	Wire Range (AWG)	Torque (lb-in)
	30A	14–8	18–20
	60A	14–4	45–50
	100A	6–1/0	110–130
	200A	6–300 kcmil	275–375



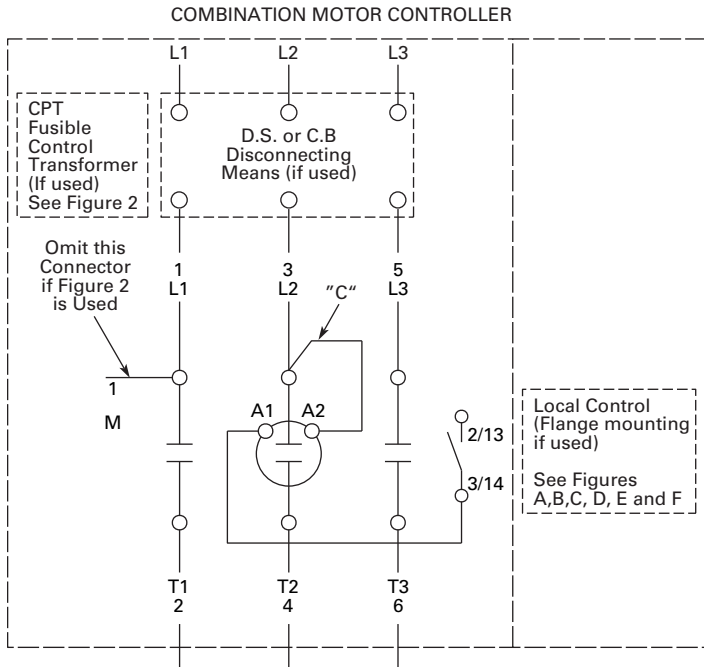
# 4.1

## Lighting Contactors

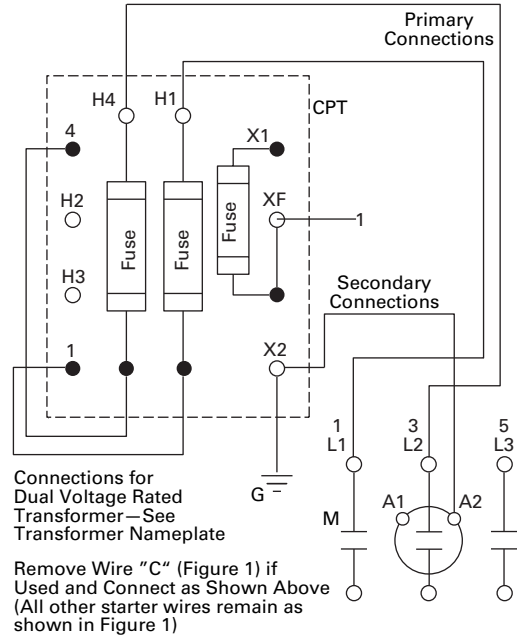
### UL Rated AC Contactors

#### CN35 Electrically Held Contactors with C400 Control

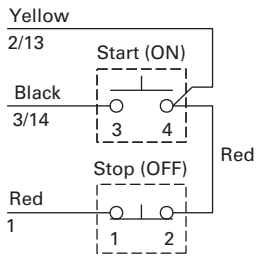
4



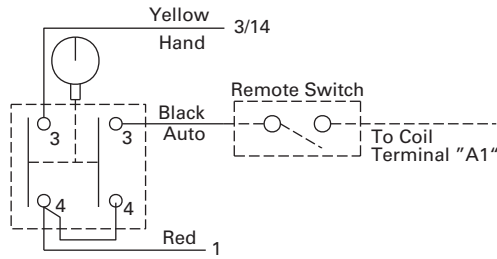
Front View Diagram  
Figure 1



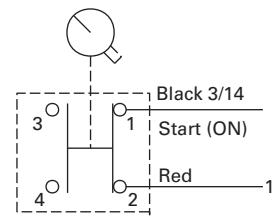
Fusible Control Transformer  
Figure 2



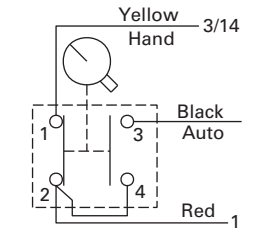
START/STOP Pushbuttons  
Figure A



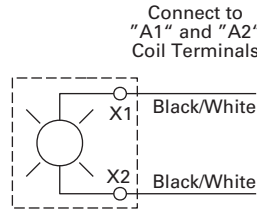
Three-Position Selector Switch  
Figure C



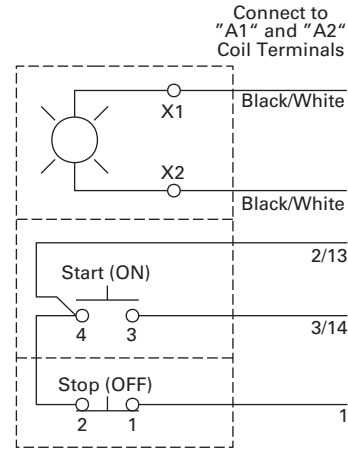
START/STOP Selector Switch  
Figure B



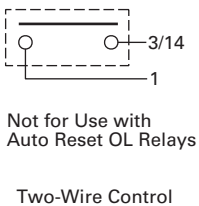
Two-Position Selector Switch  
Figure D



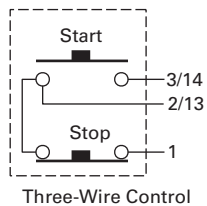
Pilot Light (Motor RUN)  
Figure E



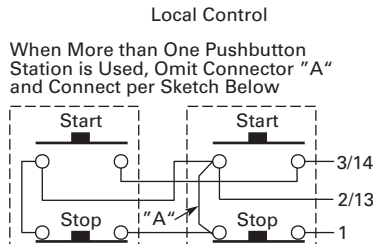
STOP/START with Pilot Light  
Figure F



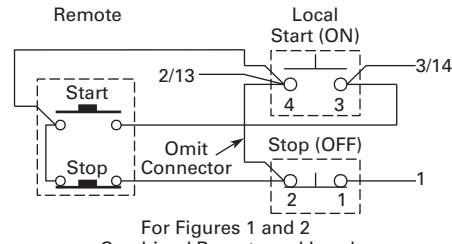
Two-Wire Control



Three-Wire Control



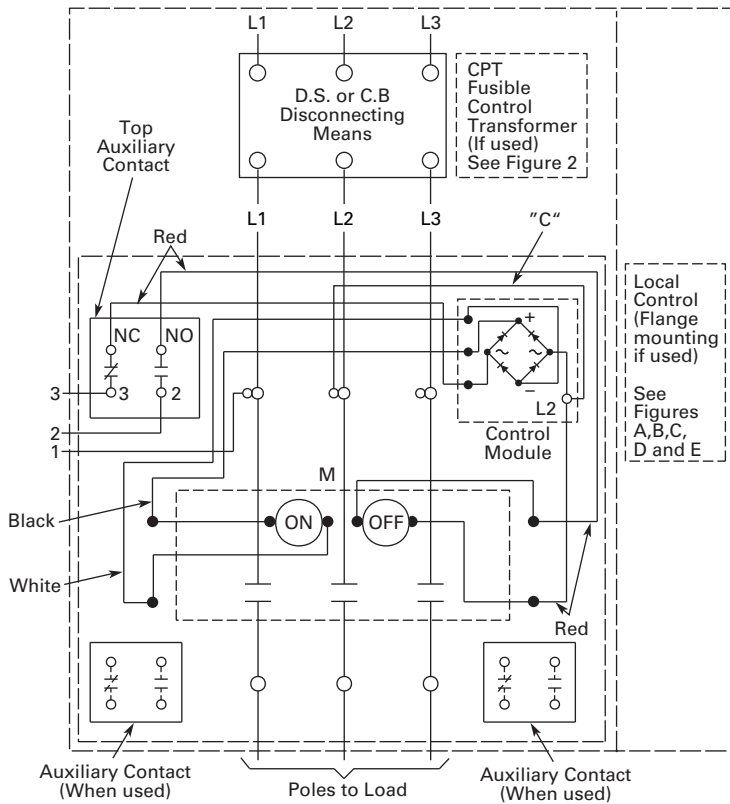
Remote Control



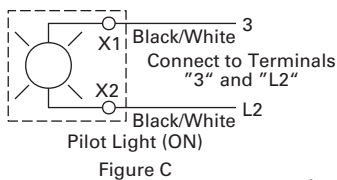
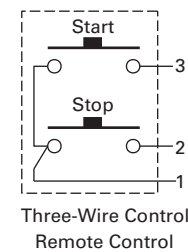
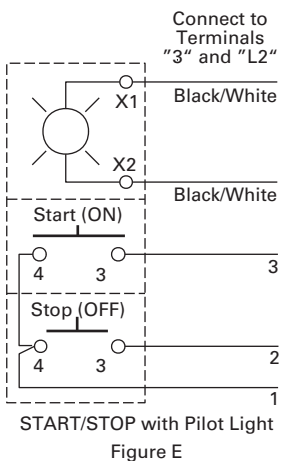
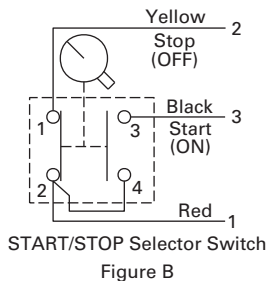
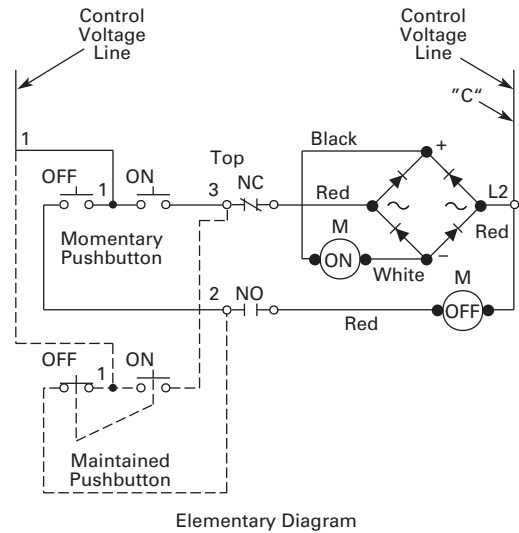
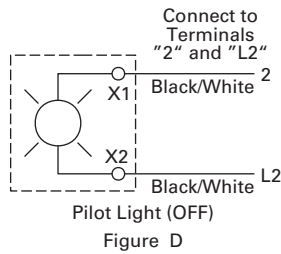
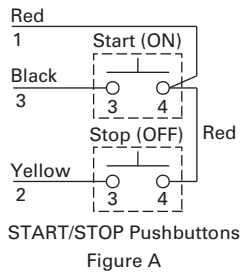
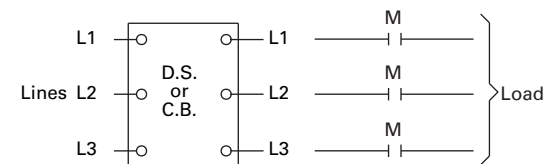
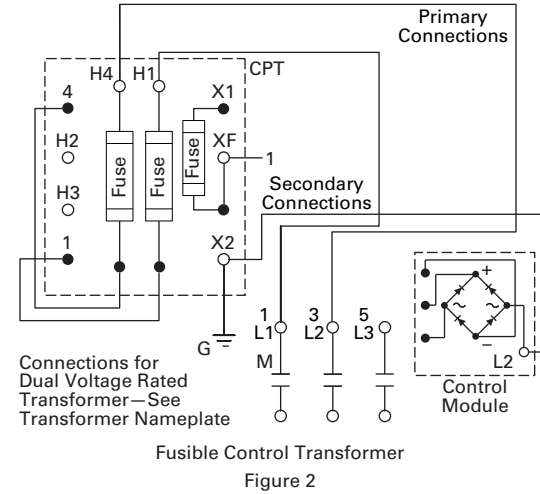
For Figures 1 and 2  
Combined Remote and Local

260880 D4

A202 Magnetically Latched Combination Contactors with C400 Control



Remove Wire "C" (Figure 1) if Used and Connect as Shown Below (All other starter wires remain as shown in Figure 1)

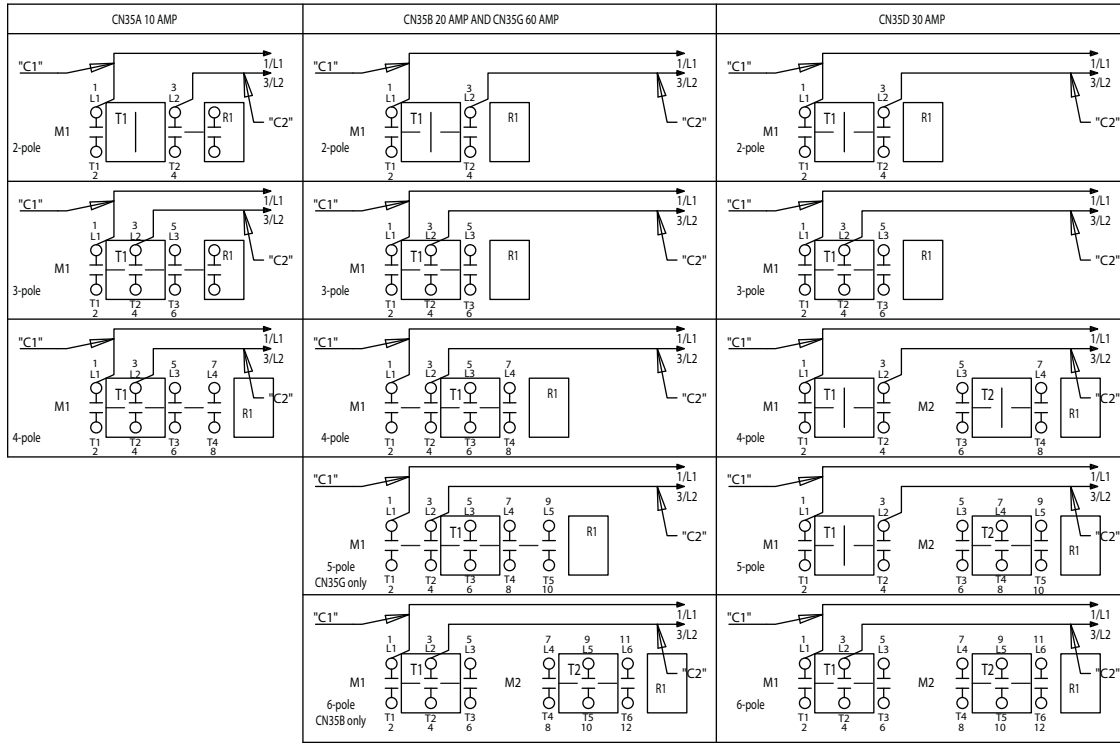


Local Control

260887 D4

### CN35 Electrically Held Contactors with C600 Control

#### NON-COMBINATION MOTOR CONTROLLER Connections for 2-, 3-, 4-, 5- and 6-Pole Contactor Configurations



#### SCHEMATIC SYMBOL LEGEND

	NORMALLY OPEN AUX.
	NORMALLY CLOSED AUX.
	NORMALLY OPEN MOMENTARY PB
	NORMALLY CLOSED MOMENTARY PB
	CONTACTOR COIL
	RED PILOT LIGHT
	GREEN PILOT LIGHT
	NORMALLY CLOSED OVERLOAD AUX.
	NORMALLY OPEN OVERLOAD AUX.
	M22-XLED230-T; USED TO LOWER VOLTAGE FOR PILOT LIGHTS.
	2-POSITION SELECTOR SWITCH (STOP/START, OFF/ON)
	3 POSITION SELECTOR SWITCH (HOA)
	SIGNIFIES LOCATION OF SIDE AND TOP ADDER AUX. REFERENCED ON DIAGRAM UNDER AUX. SYMBOL

#### CAUTION

READ AND FOLLOW INSTRUCTIONS PRIOR TO WIRING OR CONNECTING POWER!  
THIS PRODUCT CAN BE FACTORY OR FIELD CONFIGURED FOR MULTIPLE CONTROL MODES OR CONTROL VOLTAGES. CHECK NAMEPLATE FOR COIL VOLTAGE.

##### SEPARATE CONTROL POWER

FOR COIL VOLTAGES 120V AND LESS; CONNECT SEPARATE CONTROL LINES TO THE NO. 61 TERMINAL ON THE TOP ADDER AUX. AND TO THE NO. 96 TERMINAL ON THE OVERLOAD RELAY.

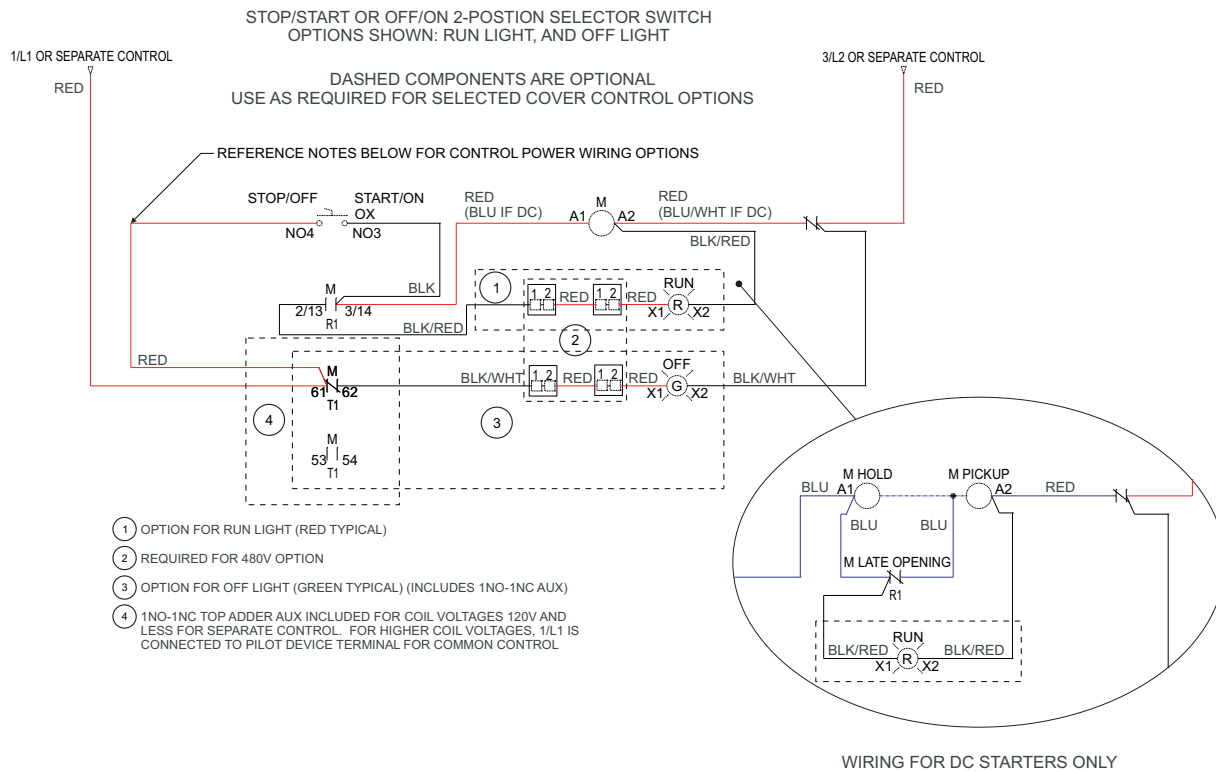
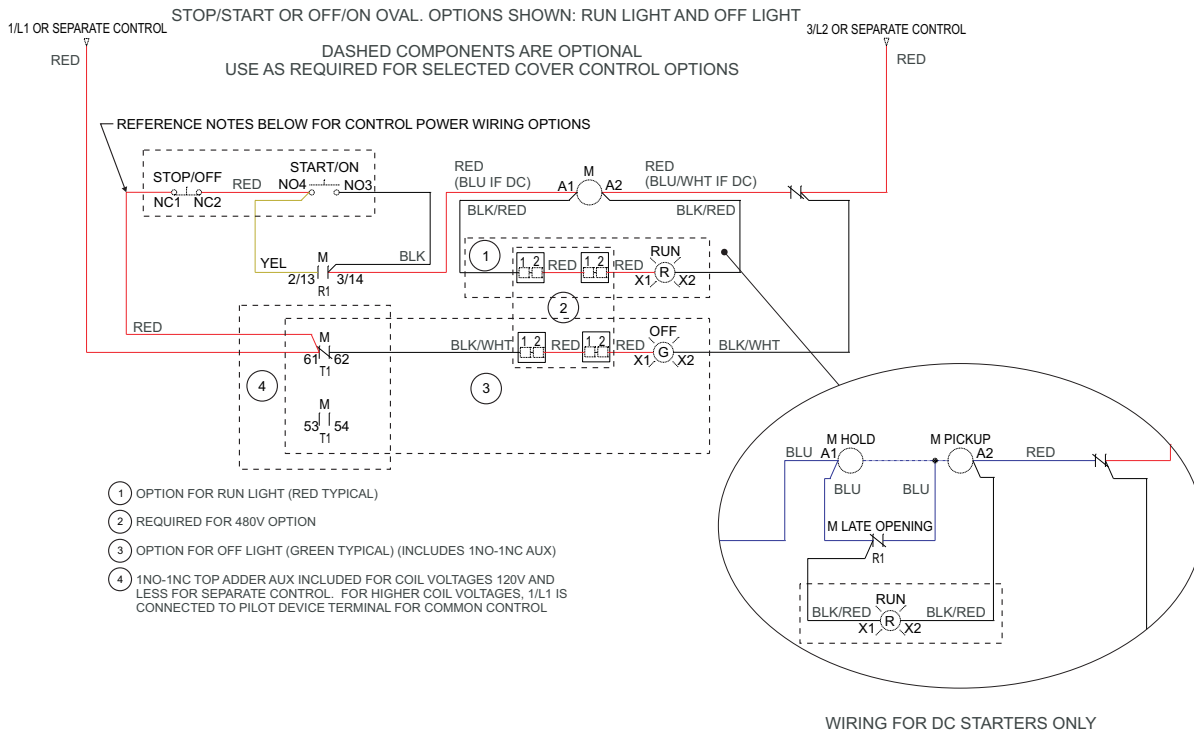
FOR COIL VOLTAGES GREATER THAN 120V; REMOVE WIRE "C2" IF SUPPLIED. IF WIRE "C1" IS TERMINATED ON L1, DISCONNECT FROM L1. CONNECT SEPARATE CONTROL LINES TO THE "C1" WIRE OR APPROPRIATE PILOT DEVICE TERMINAL PER DIAGRAM AND TO THE NO. 96 TERMINAL ON THE OVERLOAD RELAY.

##### COMMON CONTROL POWER

FOR COIL VOLTAGES 120V AND LESS; ADD WIRE "C2" IF NOT SUPPLIED. ADD CONNECTOR BETWEEN L1 TERMINAL AND THE NO. 61 TERMINAL ON THE TOP ADDER AUX. OR APPROPRIATE PILOT DEVICE TERMINAL PER DIAGRAM.

FOR COIL VOLTAGES GREATER THAN 120V; ADD WIRE "C1" AND "C2" IF NOT SUPPLIED.

### Electrically Held Non-Combination Contactors—CN35 with C600 Control (To be used with Box 1 and Box 2 only)



# 4.1

## Lighting Contactors

### UL Rated AC Contactors

4

#### Electrically Held Non-Combination Contactors—CN35 with C600 Control (To be used with Box 1 and Box 2 only)

