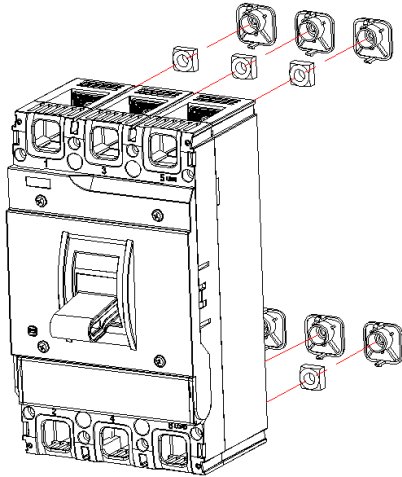
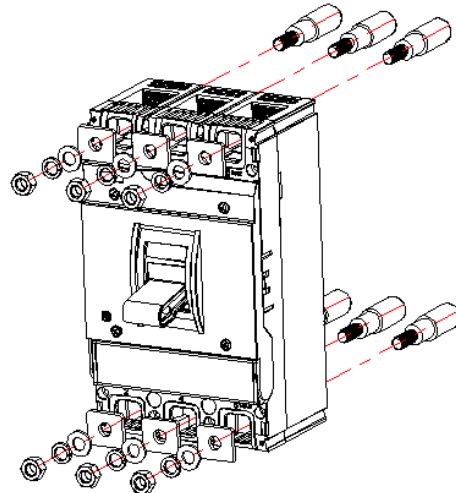


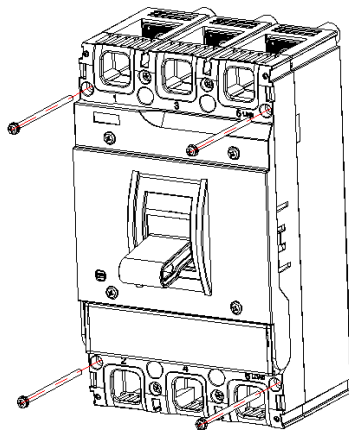
1、拆除封塞、螺母 Remove the caps and nuts



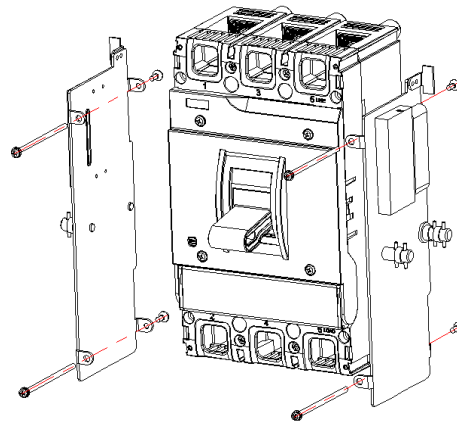
2、安装铜柱 Install the copper pillars



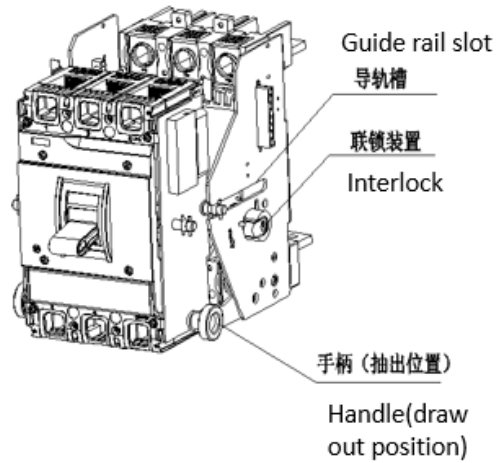
3、拆除四颗螺钉  
Remove four screws



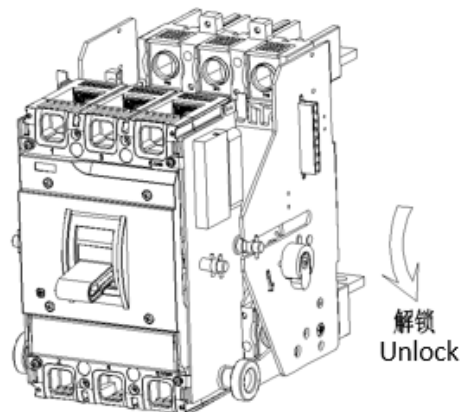
4、安装左右侧板，用 M4\*80 螺钉固定，底部 M4\*10 螺钉。  
Install the left and right plates and fix them with M4 \* 80 screws, the bottom use M4 \* 10 screws.



5、将断路器放入底座导轨槽中， 旋转手柄至抽出位置。  
Put the circuit breaker into the guide rail slot of the base and rotate the handle to the draw out position.



6、转动连锁装置使其处于解锁位置，旋转手柄。 Turn the interlock to the unlock position and rotate the handle.



7、手柄旋转至图示位置，此时连锁装置应自动锁上，并且到位指示装置接通。  
Rotate the handle to the position shown in the figure, the interlock is realized The device shall be automatically locked and installed with indication in place put it on.

