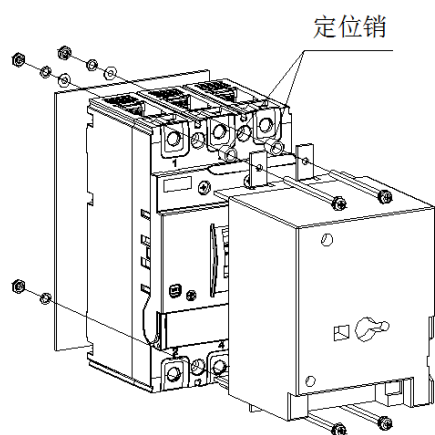


BZMX1, BZMXm1 系列电操安装 BZMX1,BZMXm1 remote operator

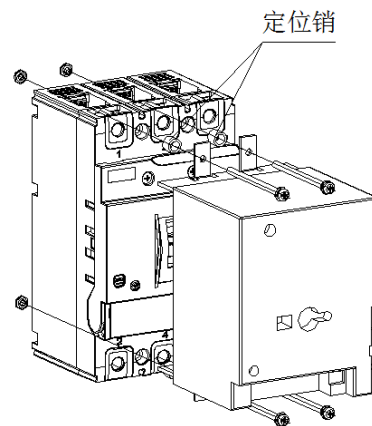
取出附件包内的安装螺钉把电操固定在开关上 (注意需安装定位销)

Take out the mounting screws and fix the remote operator on the breaker (pay attention to install the locating pin also)



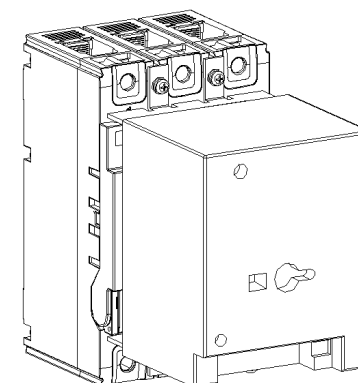
(有底板安装)

(installation with base plate)



(无底板安装)

(installation without base plate)



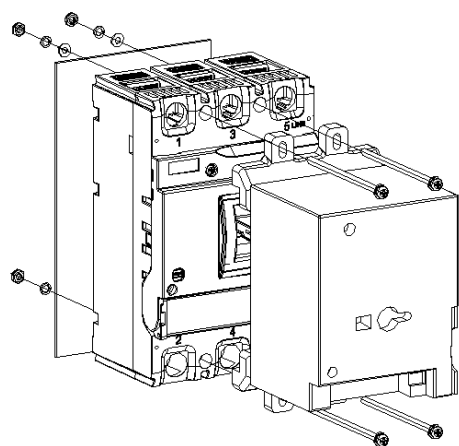
(安装完成)

(installation complete)

BZMX2 系列电操安装 BZMX2 remote operator

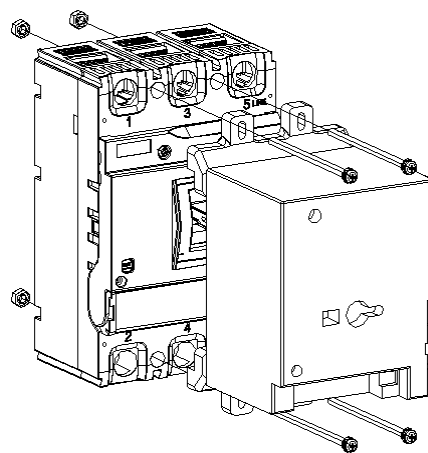
取出附件包内的安装螺钉把电操固定在开关上

Take out the mounting screws and fix the remote operator on the breaker



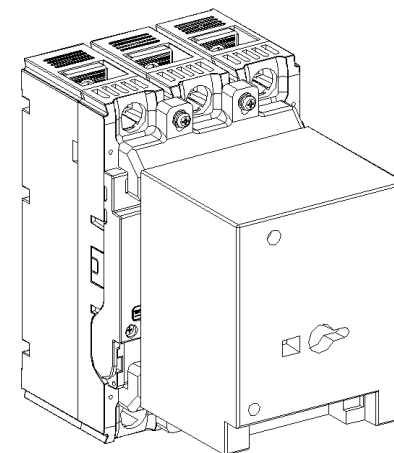
(有底板安装)

(installation with base plate)



(无底板安装)

(installation without base plate)



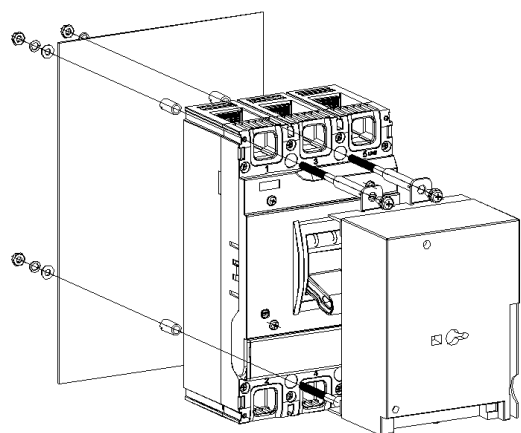
(安装完成)

(installation complete)

BZMX3 系列电操安装 BZMX3 remote operator

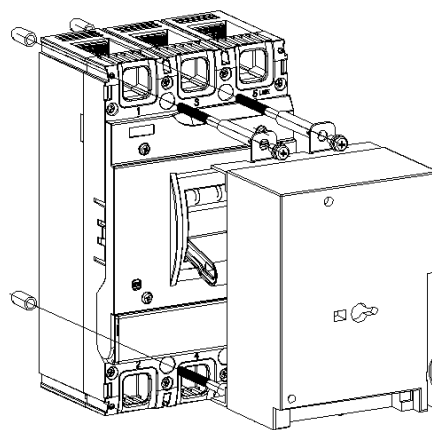
先将附件包内安装螺杆固定在断路器上，再将电操固定在断路器上即可。

Fix the screw on the circuit breaker firstly and then fix the remote operator on the circuit breaker.



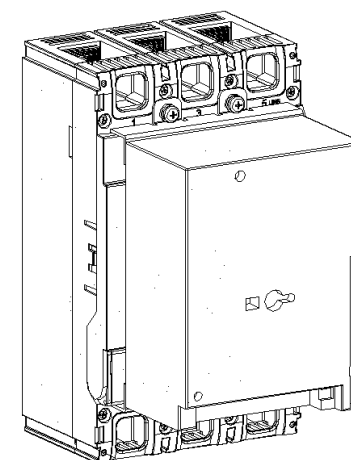
(有底板安装)

(installation with base plate)



(无底板安装)

(installation without base plate)



(安装完成)

(installation complete)