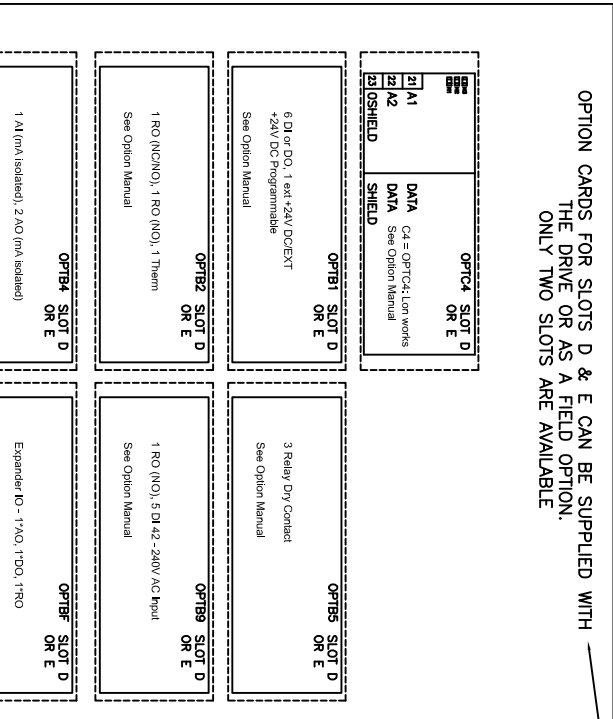
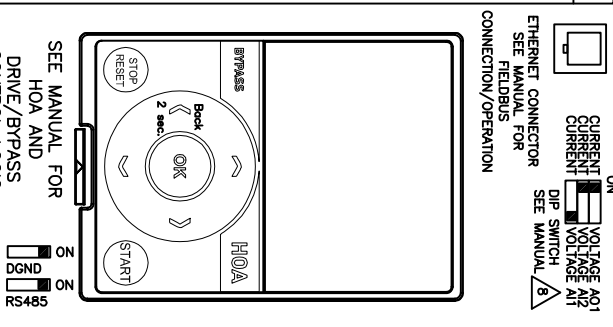
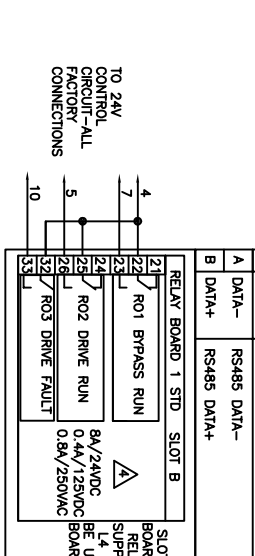


Terminal	Signal	Description
1	+10V	REFERENCE OUTPUT
2	AI-1+	ANALOG INPUT VOLTAGE (RANGE 0-10 VDC)
3	VI+	ANALOG INPUT COMMON
4	AI-2+	ANALOG INPUT CURRENT (RANGE 4-20mA)
5	AI-2-	CONTROL VOLTAGE OUTPUT
6	24Vout	I/O GROUND
7	DN1	START/STOP
8	DN2	EXTERNAL FAULT
9	DN3	RUN PERMISSIVE IP INTERLOCK
10	DN4	DN1-DN6 COMMON
11	QMA	I/O GROUND
12	24Vout	I/O GROUND
13	DN4	SPEED SELECT (PROGRAMMABLE 0-100%)
14	DN4	FIRE MODE
15	DN5	FORCE BYPASS
16	DN6	DN4-DN6 COMMON
17	CMB	OUTPUT FREQUENCY
18	AO-1+	ANALOG OUTPUT
19	AO-1-	24VDC AUX INPUT VOLTAGE
20	24VIn	RS485 DATA-
21	A	DATA-
22	B	DATA+
23	RS485 DATA+	RS485 DATA+



- NOTES:
- ENCLOSURE AND MOTOR(S) MUST BE GROUNDED. SEE INSTRUCTION MANUAL.
 - JUMPER IS FACTORY INSTALLED TO ENABLE START PERMISSIVE. CAN BE REPLACED WITH N/C CONTACT.
 - CLOSE TERMINALS 6 TO 8 OR 8 TO 12 TO START IN AUTO MODE - SEE MANUAL.
 - RELAYS SHOWN IN DE-ENERGIZED STATE.
 - WHEN PSG60F/PSG120F IS SUPPLIED, L3 WILL BE WIRED TO 1L3.
 - ELECTRIC INTERLOCK BY VFD SOFTWARE.
 - DO NOT MAKE ANY CONNECTIONS TO DC+, R+, R-, TERMINALS, THESE TERMINALS ARE USED FOR OPTIONAL DYNAMIC BRAKING.
 - ALTERNATE CONTROL PCB DIP SWITCH CONFIG SHOWN BELOW



RELAY BOARD 1 STD. SLOT B

RELAY BOARD 2 CAN BE SUPPLIED AS OPTION

RELAY BOARD 2 CAN BE SUPPLIED WITH RELAY

RELAY BOARD 2 CAN BE SUPPLIED WITH RELAY

NOTE A: INCOMING POWER CONNECTION:
 RUN CABLES IN SEPARATE METAL CONDUIT OR WIRE TRAY. DO NOT RUN WITH CONTROL WIRING OR MOTOR CABLES. PROVIDE LOW IMPEDANCE GROUND CONNECTION TO DRIVE CHASSIS. DO NOT CONNECT TO B+, B- TERMINALS. THESE TERMINALS ARE USED FOR EXTERNAL BRAKING IF REQUIRED.

NOTE B: I/O CONNECTION:
 RUN 110VAC AND 24VDC CONTROL WIRING IN SEPARATE CONDUIT. COMMUNICATION WIRE TO BE SHIELDED. KEYPAD CABLE MUST BE LESS THEN 20 FEET.

NOTE C: MOTOR CONNECTION:
 RUN MOTOR CABLES IN SEPARATE METAL CONDUIT OR WIRE TRAY. DO NOT RUN WITH CONTROL WIRING OR POWER CABLES. PROVIDE LOW IMPEDANCE GROUND CONNECTION BETWEEN MOTOR AND DRIVE.

458-1141
 REV. 11/11

8 7 6 5 4 3 2 1

IS L4

ADDED TABS 0010 THRU 0018 AND 1010 THRU 1018; ADDED HEATER TO SCHEMATIC ON 0010 THRU 0018 AND 1010 THRU 1018;



FILE TYPE	AutoCAD
DWG FILENAME	285447.DWG
ECO NUMBER	ECO-041338
REVISION	005
G.O. NUMBER	
DWG NO.	285447-0009

DR	01/21/13	DATE
RAK	01/21/13	DATE
CKD	01/21/13	DATE
PJF	01/21/13	DATE
APFD	01/21/13	DATE
PJF	01/21/13	DATE

PRODUCT HMAX
 PRODUCT INTELLIPASS

DMG TYPE SCHEMATIC
 SHEET 1 OF 1