

DOCUMENT 1039
REVISION J
December 16, 2019



Instruction Manual

*Elevated Utility Edge Light
Part Number 8615UL5
100-250 VAC Voltage Powered*

Eaton Crouse-Hinds Series
Airport Lighting Products
1200 Kennedy Road
Windsor, CT 06095

For Parts or Technical Service Call (860) 683-4300
Copyright © 2019 Cooper Technologies Company

Instruction Manual
Elevated Utility Edge Light Part Number 8615UL5

1 Revisions

| Revision | Issue/Reissue Letter Number | Description | Checked | Approved |
|-----------------|------------------------------------|---|----------------|-----------------|
| A | A211-082 | RELEASED TO PRODUCTION, NO CHANGES | 2/17/11 | PG |
| B | A211-164 | FIG 2, ADDED DC POSITIVE ID NOTE TO ITEM 5 | 5/3/11 | SD |
| C | A211-180 | PAGE 1, ADDED BEAM COLOR WHITE | 6/8/11 | SD |
| D | A211-313 | PAGE 7, ITEM 12, 40878-18P WAS -2P, -19P WAS -4P, -20P WAS -6P, -21P WAS -7P AND -22P WAS -16P. | 11/18/11 | MCB |
| E | A212-283 | Title page, updated copyright; Part List, added item 17; P/N Explanation, added item 17 & related data | 8/6/12 | PG |
| F | A212-434 | Pg 6 & 7, added item 18; pg 3, part B, note 2 added gap pad installation; pg 5, part C, note 6, added gap pad installation | 12/3/12 | SD |
| G | A213-084 | Title page, updated copyright; Page 1, added 11 inch height & added info on 11 inch ht. to Option 1; 6.1, minimum height is 11 inches was 14 inches; Page 6, added item 6 P/N 50398-11 & item 11, P/N 40878-23P; Page 10, added 11 inch unit to table | 3/14/13 | PG |
| H | A212-456 | Pages 1 & 10, 100-277VAC was 95-250VAC; Page 10 updated pictures to match current power supply. | 7/10/13 | SD |
| J | A219-257 | Revised format extensively; Revised section 5, 6.1 & 7; Section 9: Revised P/N for item 3 & 5, deleted item 18; Deleted section 8.2, 10, 11 & figure 3. | 12/16/19 | PG |

Instruction Manual
Elevated Utility Edge Light Part Number 8615UL5

2 Limited Product Warranty

REFER TO EATON'S CROUSE-HINDS AIRPORT LIGHTING PRODUCTS TERMS
AND CONDITIONS PER PRODUCT SPECIFIC WARRANTY INFORMATION.

Instruction Manual
Elevated Utility Edge Light Part Number 8615UL5

3 Safety Notices

This equipment is normally used or connected to circuits that may employ voltages that are dangerous and may be fatal if accidentally contacted by operating or maintenance personnel. Extreme caution should be exercised when working with this equipment. While practical safety precautions have been incorporated in this equipment, the following rules must be strictly observed:

3.1 Keep Away from Live Circuits

Operating and maintenance personnel must at all times observe all safety regulations. Do not perform maintenance on internal components or re-lamp with power ON.

3.2 Resuscitation

Maintenance personnel should familiarize themselves with the technique for resuscitation found in widely published manuals of first aid instructions.



IMPORTANT

IMPORTANT:

See FAA Advisory Circular AC 150/5340-26 for additional information.

Instruction Manual
Elevated Utility Edge Light Part Number 8615UL5

4 Table of Contents

1 Revisions..... ii

2 Limited Product Warranty.....iii

3 Safety Notices..... iv

 3.1 Keep Away from Live Circuits..... iv

 3.2 Resuscitation iv

4 Table of Contents..... v

5 Part Number Explanation –Elevated Utility Edge Light..... 1

6 General Description..... 2

 6.1 Omni-directional Elevated Lighting..... 2

7 Installation..... 2

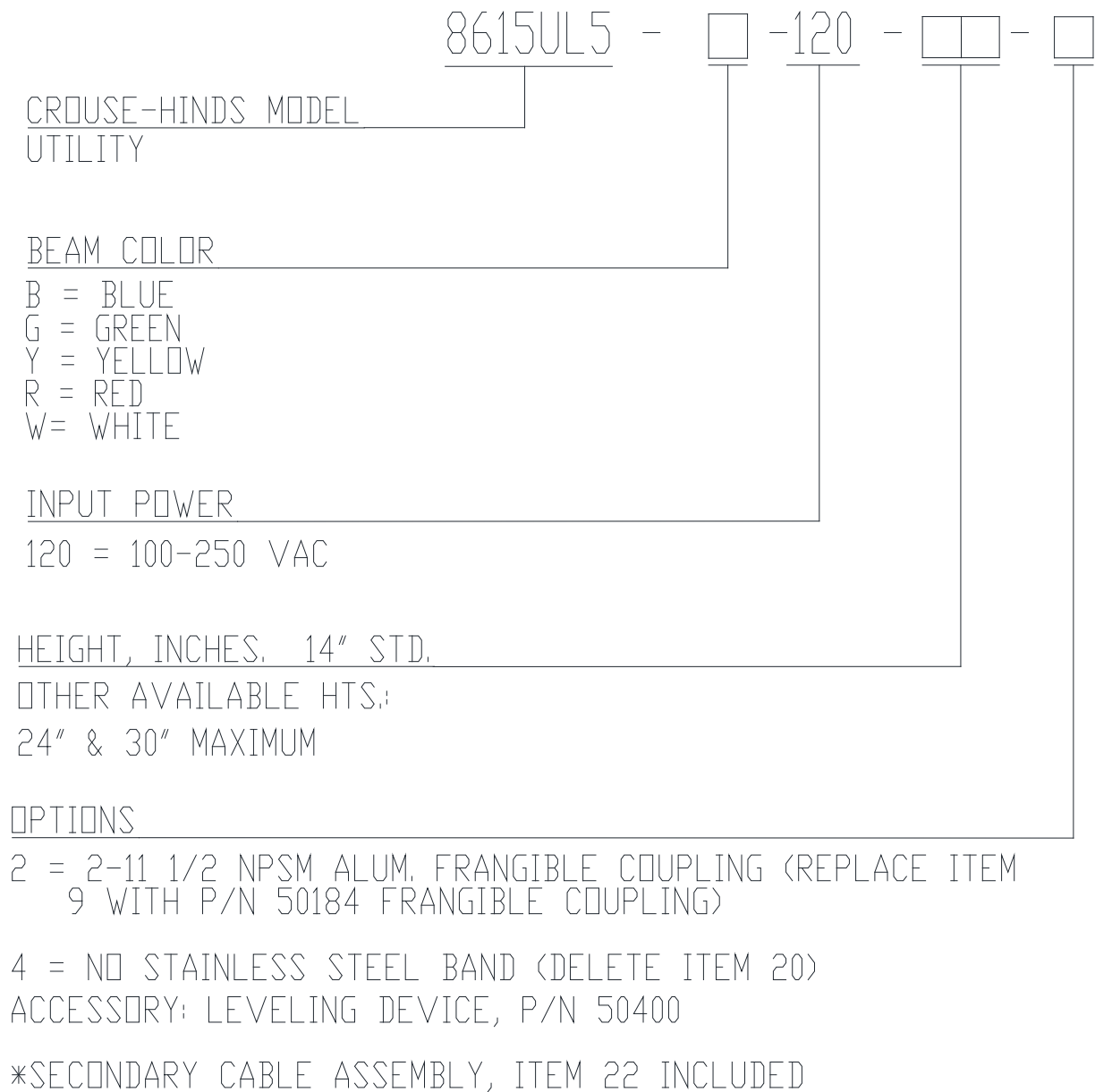
8 Maintenance 3

 8.1 Led Module, Power Supply and Globe Replacement..... 3

9 Parts List 5

Instruction Manual
Elevated Utility Edge Light Part Number 8615UL5

5 Part Number Explanation –Elevated Utility Edge Light



Instruction Manual
Elevated Utility Edge Light Part Number 8615UL5

6 General Description

6.1 Omni-directional Elevated Lighting

The Crouse-Hinds Utility Edge Light is a LED version for use in general lighting applications such as boundary markings, apron areas, heliport applications and alternate traffic areas.

The fixture is designed to fit on an FAA L-867 base using a L867 base plate with a 1-1/2-inch or 2-inch thread hub. The fixture is omni-directional, projecting the beam of light 360° in the horizontal direction and 0 to 6° in the vertical direction.

The light fixture consists of a colored glass optical lens. The optical lens is mounted to a yellow power-coated aluminum housing using an elastomeric rubber boot. The aluminum housing contains a sealed incased dimmable electronic power supply and a LED heat sink. A single LED and inner polycarbonate lens is secured to the aluminum heat sink.

The electrical connection is made through an FAA approved L-823 plug which mates to an L-823 secondary receptacle for voltage powered units. All hardware on this fixture is type 18-8 stainless steel.

For this light fixture, the maximum allowed height is 30 inches. These measurements are taken from the grade to the top of the light fixture.

7 Installation

- A. Assemble the frangible coupling (12) (or OPTION 2) over the lead assembly (5) and onto the extension column (11). DO NOT TIGHTEN the coupling binding screw.
- B. Plug fixture L-823 connector into appropriate voltage source, thread the frangible coupling (12) ONLY into the base plate or stake mount (C-H P/N 50056) in order to prevent twisting of the wires.
RECOMMENDATION: Apply anti-seize compound (Loctite Anti-seize Thread Compound 767 or equivalent) to coupling threads prior to assembly to base plate to prevent galling and seizing. Tighten the frangible coupling screw. Fixture is shipped leveled square. If required, use leveling device (P/N 50400) to level fixture.

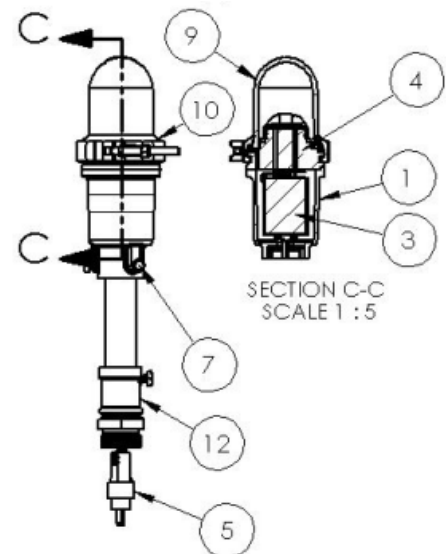


Figure 1.

Instruction Manual
Elevated Utility Edge Light Part Number 8615UL5

8 Maintenance

8.1 Led Module, Power Supply and Globe Replacement

For the following three procedures, reference Figure 2, on page 6.

A. To replace the LED module:

1. Turn power off and secure.
2. Remove T-bolt clamp (16) by using a 7/16" nut driver.
3. Remove the boot (10) by applying a flat-head screw driver between the bottom of the boot and the heatsink assembly (4).
4. Slowly lift the boot out of the heatsink all around.
5. Once the boot (10) has been loosened from the heatsink (4), slowly remove without hitting the LED lens.
6. Remove screws (6) and slowly lift the heatsink off of the housing. **DO NOT** pull too far without disconnecting the heatsink assembly (4) to the power supply (3).
7. Connect the new heatsink assembly (4) to the power supply (3) and place back on top of the dome support (1).
8. Remove boot (10) from the dome (9).
9. Place dome (9) on top of the heatsink assembly (4).
10. Turn boot (10) inside-out and place on the dome (9) making sure that the lip of the boot (10) is facing towards the flange of the dome (9).
11. Push down on the boot (10) until the boot (10) flips over sliding itself into the heatsink assembly (4) groove. Make sure that the boot (10) is tightly held in place by pushing its sides into the heatsink and locking it into place.
12. Locate the T-bolt clamp (16) over the boot (11) as shown in the diagram.
13. Tighten lock nut until .13" to .25" of the bolt is showing past the lock nut.

B. To replace the power supply (3):

After completing the removal of the heatsink assembly per replacement part A, above:

1. Lift power supply (3) from the dome support (1) and disconnect from leads (5).
2. Connect new power supply (3) install two (17) 21556-1 gap pad folded length way to each side of power supply and place back inside the housing, placing the connector through the slots on the flange of the power supply (3) until the connector flanges are flush with the power supply (3) flange.

Make sure the power supply flanges sit on the bosses inside the dome support (1) and the holes on the flange of the power supply (3) align with the holes on the bosses.

Note: Disregard power supply (3) on voltage powered units in step 2, above. It will be necessary to cut lead assembly away from butt splices on voltage powered unit (3). Strip lead assembly ends 0.4 inches and crimp into butt splices at ends of black and white leads.

3. Connect the heatsink and complete fixture as per part A, above.

Instruction Manual
Elevated Utility Edge Light Part Number 8615UL5

C: To replace the dome (9):

1. Remove dome per replacement (part A, above).
2. Reassemble new dome per replacement (part A, above).

Instruction Manual
Elevated Utility Edge Light Part Number 8615UL5

9 Parts List, Edge Light without Heater

This parts list applies to Figure 2, on page 6.

| Item Number | Exploded Qty. | Part Number | Description |
|-------------|---------------|---------------|---|
| 1 | 1 | 50390 | DOME SUPPORT, HOUSING, ELEVATED EDGE LIGHT |
| 2 | 1 | 50396 | THERMAL TAPE |
| 3 | 1 | 50581-3 | POWER SUPPLY |
| 4** | 1 | 50430 | HEATSINK ASSEMBLY |
| 5 | 1 | 40919 | 14 IN. HT UNIT (13.0 CUT LENGTH) |
| | | 40919-1 | 18 IN. HT UNIT (17.0 CUT LENGTH) |
| | | 40919-2 | 22 IN. HT UNIT (21.0 CUT LENGTH) |
| | | 40919-2 | 24 IN. HT UNIT (23.0 CUT LENGTH) |
| | | 40919-2 | 30 IN. HT UNIT (29.0 CUT LENGTH) |
| | | 40919 | 11 IN. HT UNIT (10.0 CUT LENGTH) |
| 6 | 2 | 10000-482 | SCREW, PAN HD, TYPE 1A CROSS/DRILLOC, #6-32X1 LG, STN STL |
| 7 | 3 | 10A 10-025D24 | SCREW, HEX HD, ¼-20X3/4 LG, STN STL |
| 8 | 1 | 10035-63-230 | O-RING |
| 9 | 1 | 50380 | BLUE GLASS DOME COVER |
| | | 50380-G | GREEN GLASS DOME COVER |
| | | 50380-Y | YELLOW GLASS DOME COVER |
| | | 50380-R | RED GLASS DOME COVER |
| | | 50380-C | CLEAR GLASS DOME COVER (FOR WHITE UNITS) |
| 10 | 1 | 50388 | BOOT, DOME CLAMP |
| 11* | 1 | | 1-INCH EMT EXTENSION |
| | | 40878-13P | 14 IN. (355.6MM) |
| | | 40878-14P | 18 IN. (457.2MM) |
| | | 40878-17P | 22 IN. (558.8MM) |
| | | 40878-15P | 24 IN. (609.6MM) |
| | | 40878-16P | 30 IN. (762.4MM) |
| | | 40878-23P | 11 IN. (279.4MM) |
| 12 | 1 | 50186 | COUPLING, FRANGIBLE, 1.5-12 UNF |
| 13 | 1 | 50579 | LABEL, PART NUMBER 8615UL5 |
| 14 | 1 | 50518 | BRACKET, STRAIN RELIEF, L-861T |
| 15 | 1 | 10047-621 | STRAIN RELIEF |
| 16 | 1 | 10037-883 | CLAMP, T-BOLT |
| 17 | 1 | 10060-4-0.5 | SECONDARY CABLE ASSEMBLY |

** BLUE P/N=50430; GREEN P/N=50430-G; YELLOW P/N=50430-Y; RED P/N=50430-R;
WHITE P/N=50430-W

Instruction Manual
Elevated Utility Edge Light Part Number 8615UL5

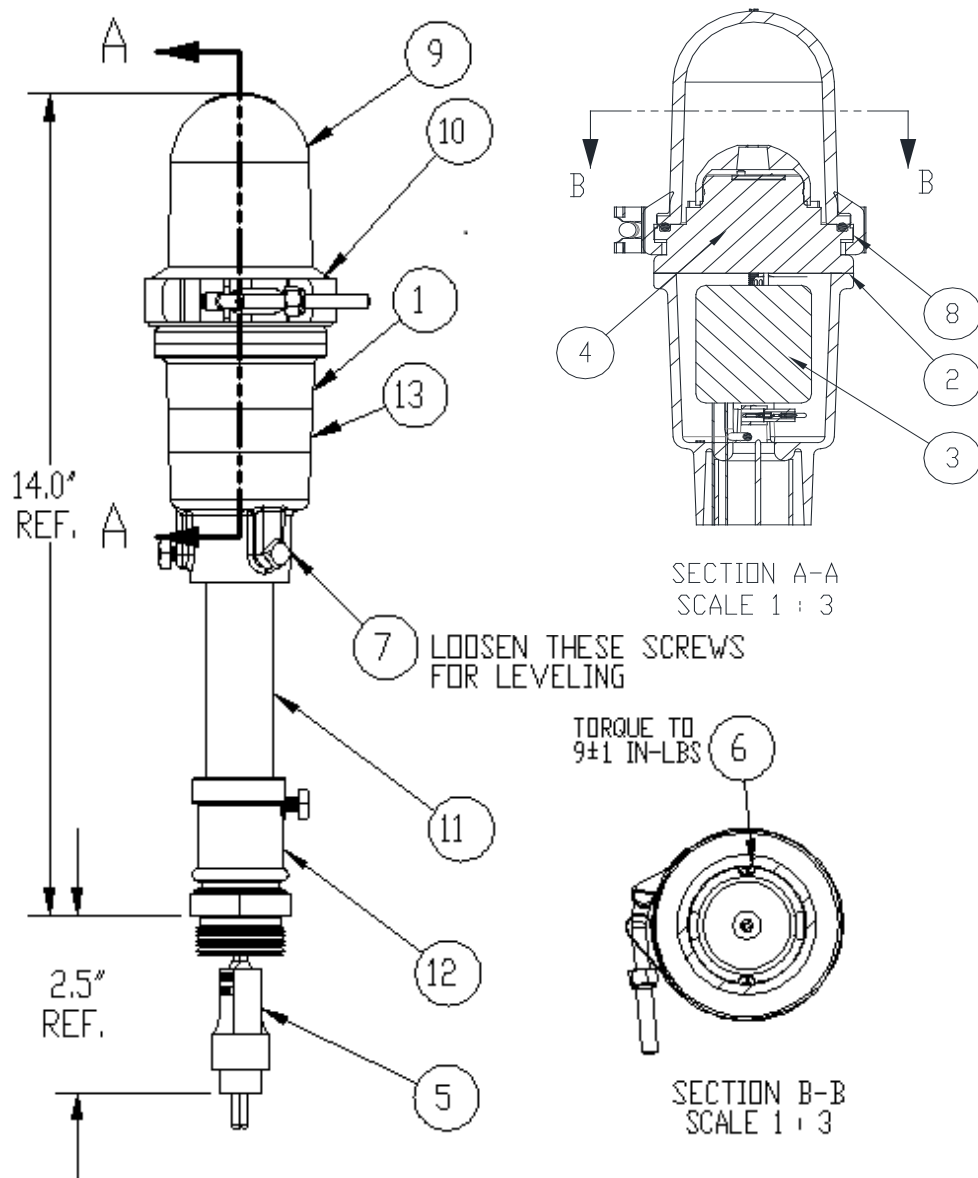


Figure 2. Edge Light without Heater