

DETAIL 'B' (TRANSFORMER SECONDARY)

MOUNTING KIT, OPTION -10

PRELIMINARY, NOT FOR PRODUCTION USE

TYPICAL EAL AIMING ANGLES

TABLE 1

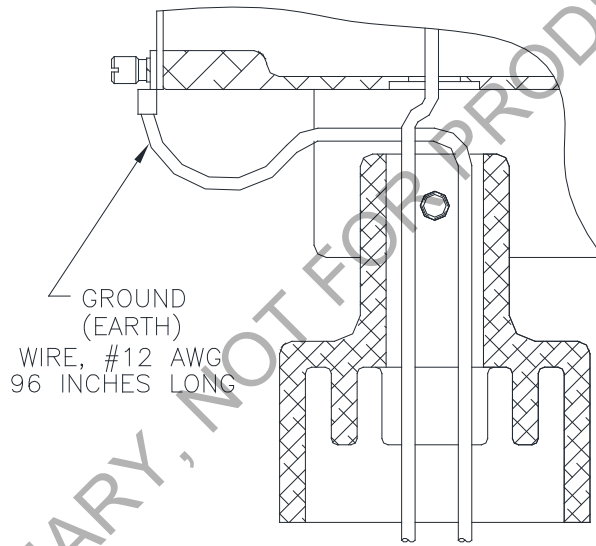
SETTING ANGLES TABLE				
CATEGORY I/II ALSF				CATEGORY I MALS (PAR 38)
F.A.A./U.S.A.F.		I.C.A.O.		F.A.A.
STATION	SETTING ANGLE ALL	SETTING ANGLE A.L.S.	SETTING ANGLE SIDE BARS	SETTING ANGLE
3000' (900M)	8.0°	8.0°	—	—
2900' (870M)	7.9°	8.0°	—	—
2800' (840M)	7.9°	8.0°	—	—
2700' (810M)	7.8°	8.0°	—	—
2600' (780M)	7.7°	8.0°	—	—
2500' (750M)	7.7°	8.0°	—	—
2400' (720M)	7.6°	8.0°	—	—
2300' (690M)	7.6°	8.0°	—	—
2200' (660M)	7.5°	8.0°	—	—
2100' (630M)	7.4°	7.0°	—	—
2000' (600M)	7.4°	7.0°	—	—
1900' (570M)	7.3°	7.0°	—	—
1800' (540M)	7.2°	7.0°	—	—
1700' (510M)	7.2°	7.0°	—	—
1600' (480M)	7.1°	7.0°	—	—
1500' (450M)	7.0°	6.0°	—	—
1400' (420M)	7.0°	6.0°	—	3.7°
1300' (390M)	6.9°	6.0°	—	—
1200' (360M)	6.9°	6.0°	—	3.6°
1100' (330M)	6.8°	6.0°	—	—
1000' (300M)	6.7°	5.5°	—	3.5°
900' (270M)	6.7°	5.5°	6.5°	—
800' (240M)	6.6°	5.5°	6.5°	3.5°
700' (210M)	6.5°	5.5°	6.0°	—
600' (180M)	6.5°	5.5°	6.0°	3.4°
500' (150M)	6.4°	5.5°	6.0°	—
400' (120M)	6.3°	5.5°	6.0°	3.3°
300' (90M)	6.3°	5.5°	5.5°	—
200' (60M)	6.2°	5.5°	5.5°	3.2°
100' (30M)	6.2°	5.5°	5.5°	—
0' (THRESHOLD)	6.1°	5.5°	—	3.1°

NOTES:

1. THE ANGULAR SETTINGS ARE DETERMINED FOR A 3° GLIDE SLOPE. THE SETTING ANGLE SHALL BE SHIFTED BY THE AMOUNT THAT THE GLIDE SLOPE IS SHIFTED FROM 3°.

ITEM	PART NUMBER	DESCRIPTION	DWG. DASH NO.	QTY
1	50115-2	HOUSING ASSEMBLY	1 THRU 18	1
2	50115-7	HOUSING ASSY (LAMP BYPASS)	19	1
3	50124	REAR COVER ASSEMBLY	ALL	1
4	50256	LENS, CLEAR	1,2,3,10,11,12,19	1
4	50251-R	LENS, RED	4,5,6,13,14,15,19	1
4	50251-G	LENS, GREEN	7,8,9,16,17,18	1
5	50106	SLIPFITTER	ALL	1
6	50129	PK30d LAMP ADAPTER	ALL	1
7	50130	PK30d LAMP CLIP	ALL	2
8	60875	LAMP BYPASS ASSEMBLY	19	1
9	50139	LAMP INDEX	ALL	1
10	50136	LEAD ASSY, 84", 6.6A, L-823	ALL	1
11				
12				
13	10030-57	FLAT WASHER, SS, #1/4	ALL	2
14				
15				
16	50126	LENS SEAL	ALL	1
17				
18				
19	10047-621	BUSHING, SNAP, 1/2"	ALL	1
20	50200-100	LAMP, PK30d, 100W, 6.6A	1,4,7,10,13,16	1
20	50200-150	LAMP, PK30d, 150W, 6.6A	2,5,8,11,14,17	1
20	50200-200	LAMP, PK30d, 200W, 6.6A	3,6,9,12,15,18,19	1
21	10C01-025D56	SCREW, HEX, #1/4-20x2-1/2"	ALL	1
22				
23	11A12-025D	LOCKWASHER, SPLIT, SS, #1/4	ALL	2
24	10K01-025D	HEX NUT, SS, #1/4-20	ALL	2
25	10A10-025D32	SCREW, HEX, #1/4-20x1" LG.	ALL	2
26	50144-2	NAMEPLATE	ALL	1
27	50121	SMALL LENS CLIP	ALL	2
28	10000-438	SCREW, PAN, W/LW, #8-32x1/2"	ALL	2
29				
30				

ITEM	PART NUMBER	DESCRIPTION	DWG. DASH NO.	QTY
31				
32				
33	50342	LABEL, CSA	ALL	1
34	10000-423	SCREW, HEX, 1/4-20X1-3/4 LG	ALL	1
35	10000-425	SCREW, HEX, 1/4-20X1-3/8 LG	ALL	1
36	10037-779	SPACER, RND, 1/2 DIA X 1" LG	ALL	1
37	10037-780	SPACER, RND, 1/2 DIA X 3/8 LG	ALL	1
38	10037-781	TURNBUCKLE	ALL	1

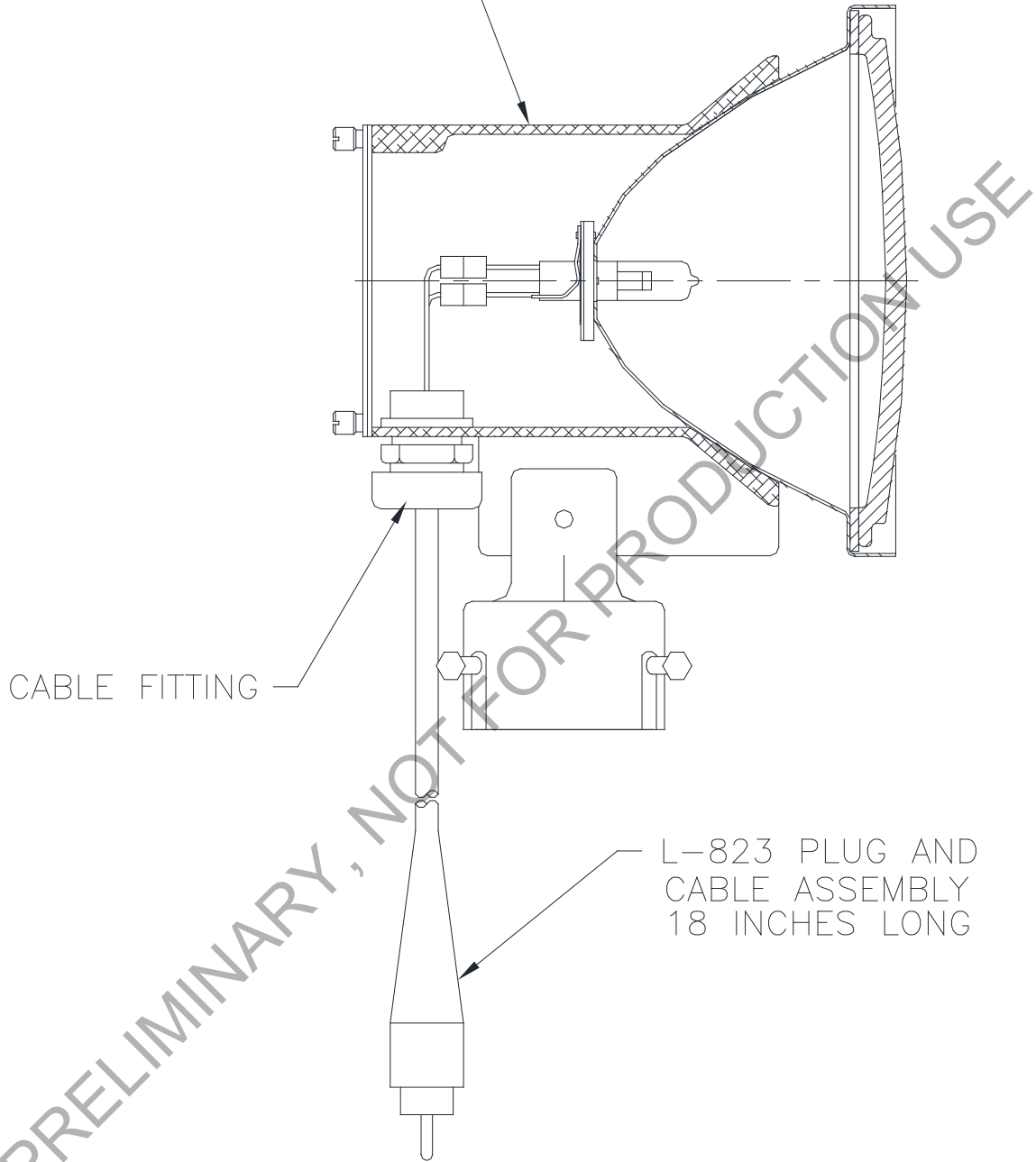


GROUND WIRE INSTALLATION

OPTION -11

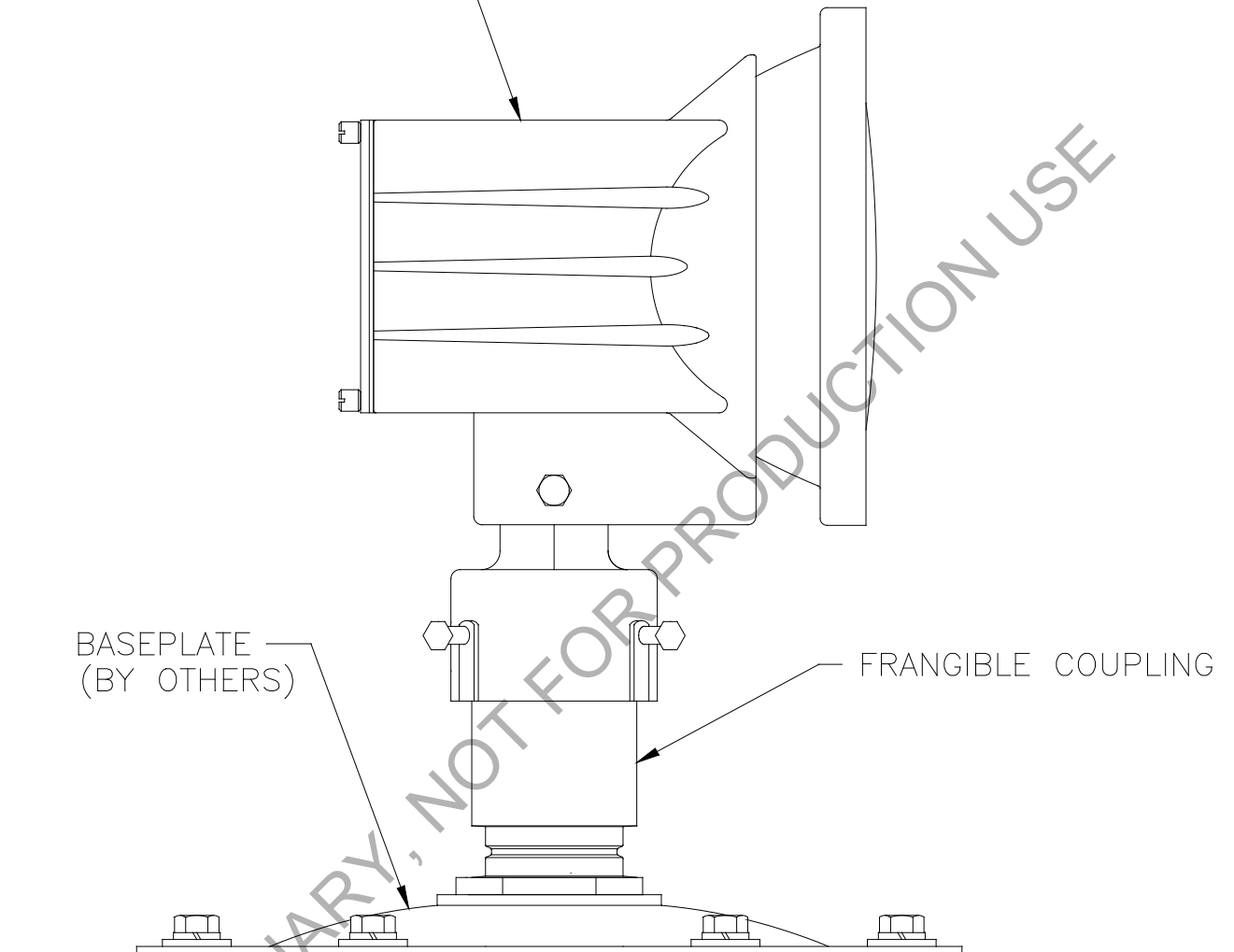
PRELIMINARY, NOT FOR PRODUCTION USE

HOUSING ASSEMBLY
50115-2



OPTION -12
EXTERNAL 6.6 AMP CABLE

HOUSING ASSEMBLY
50115-2 OR 50115-7



OPTION -14
FIXTURE TO BASEPLATE MOUNTING KIT