

# Approach & Navigational Aids

## EALK

### Elevated Approach Light/PK-30 Type

#### Compliances:

ICAO Annex 14



#### Applications

The EALK is a unidirectional elevated light which may be used as a clear or red approach light, a red end of runway light, and a green threshold light.

#### Features

- Suitable for replacement of MB-2 lights per U.S. Air Force AFR 88-14.
- Uses PK-30d low power consumption lamps.
- Easy to install - slipfitter mounts on a standard 2" (50mm) pipe and a frangible coupling or approach mast mounted.
- Easy to relamp - special tools are not required.
- Cast aluminum housing.
- Easy to aim - uses precise aiming device\* with digital readout.
- Sealed colored lens - eliminates need for filter and clips.
- Shipped fully assembled.

#### Ordering Information

**How to Order:** To the basic catalog number, add the symbols for Color, Lamp type, Cable Assembly and Options (if any). A frangible coupling may be required for proper mounting and must be ordered separately.

**Examples:** 98250-C-200 is a clear approach light with a 200 watt lamp. 98250-G-200-66 is a green threshold light with a 200 watt lamp and 6.5' (2m) long 6.6 amp cable.

9 8 2 5 0 - - - -

**Fixture Type:** \_\_\_\_\_

**Light Color:** \_\_\_\_\_

- C = Clear Lens
- R = Red Lens
- G = Green Lens

**Lamp Type:** \_\_\_\_\_

- 100 = 100 Watts, 6.6 Amp, PK30d
- 150 = 150 Watts, 6.6 Amp, PK30d
- 200 = 200 Watts, 6.6 Amp, PK30d

No symbol means no lamp is included

**Cable Assembly:** \_\_\_\_\_

- 66 = 6.5 Feet (2 Meters) Long Cable, 6.6 Amp Rated with L-823 Plug
- No symbol means a cable is not included

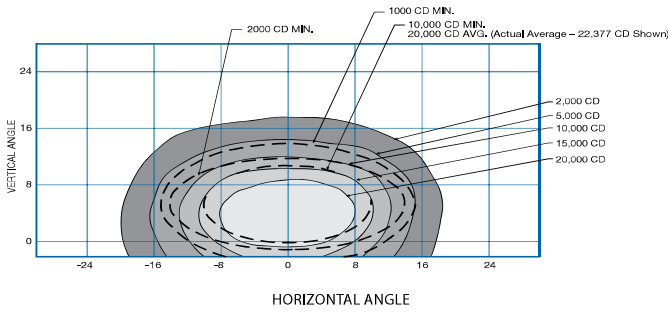
**Options:** \_\_\_\_\_

- 10 = Mounting Kit (Consist of 61062-1 Frangible Coupling for 2" EMT and 25003 Cable Clamp Assembly for 1" diameter)
- 11 = #12 AWG Ground Wire 96" long (thru slipfitter)
- 12 = External 6.6 Amp Cable 18" long
- 13 = Lamp Bypass Assembly (6.6A)
- 14 = Mounting Kit, fixture to baseplate (consists of frangible coupling, 25003 Cable Clamp Assembly and 6.6 A rated cagle assembly 2.5"min / 3.0" max long from slipfitter)
- S540 = Metal parts of fixture are painted yellow

\*Order 50133 aiming device separately (one per facility).

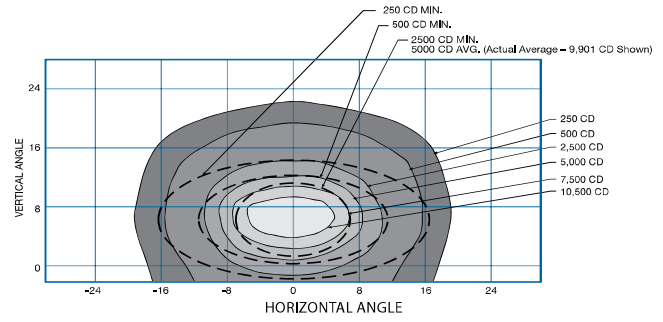
**INSTRUCTION MANUAL: 9702**

## Photometric Data



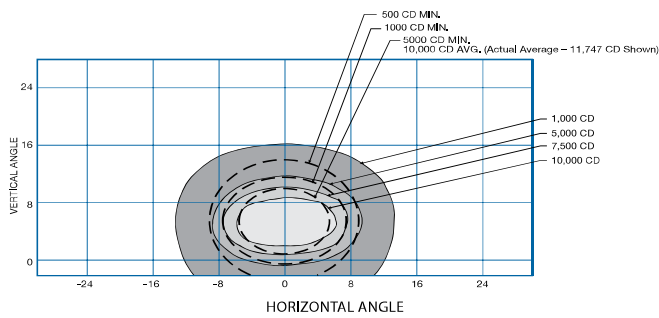
APPROACH CENTERLINE & CROSS BAR WHITE LIGHT - 200 WATTS  
(ICAO FIGURE 2.1)

CD = Candelas in white light



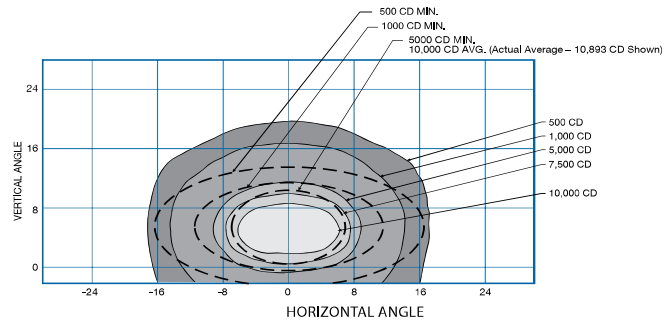
APPROACH SIDE ROW RED LIGHT - 200 WATTS  
(ICAO FIGURE 2.2)

CD = Candelas in red light



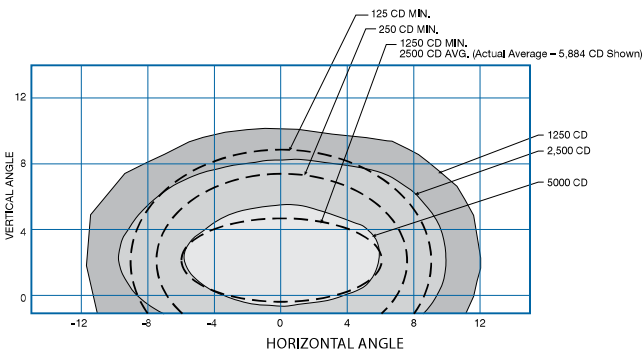
THRESHOLD GREEN LIGHT - 200 WATTS  
(ICAO FIGURE 2.3)

CD = Candelas in green light



THRESHOLD WING BAR GREEN LIGHT - 200 WATTS  
(ICAO FIGURE 2.4)

CD = Candelas in green light



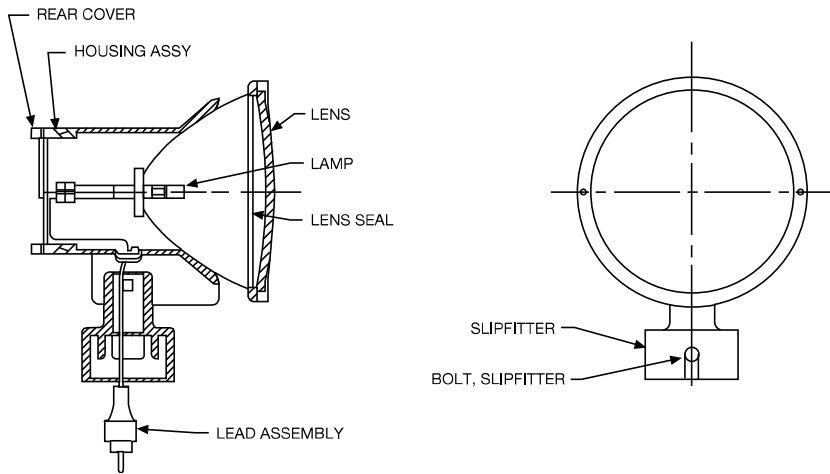
RUNWAY END RED LIGHT - 200 WATTS  
(ICAO FIGURE 2.8)

CD = Candelas in red light

## Application/Fixture Selection Table

APPLICATION (ICAO, USAF, NATO, U.S. NAVY)	CATALOG NUMBER
White, Approach Centerline and Cross Bar Light	98250-C-150-66 98250-C-200-66
Red, Approach Side Row Light	98250-R-150-66 98250-R-200-66
Green, Runway Threshold Light	98250-G-150-66 98250-G-200-66
Green, Runway Threshold Wing Bar Light	98250-G-200-66
Red, Runway End Light	98250-R-200-66

## Outline Drawing



Instruction Manual:	9702
Shipping Weight:	4.5 lbs. 2.04 kg.
Shipping Volume:	0.7 cu. ft. 0.02 cu. m

## Accessories

Description	Catalog Number	Shipping Weight		Shipping Volume	
		lb.	kg.	cu. ft.	cu. m.
Aiming Device	50133				
Base L-867B, Class I, 24" Deep	AC21242H200301	52	23.6	2.6	0.074
Baseplate, 2" Hub, 12" Diameter	AP1932	8	3.6	0.14	0.004
Franigible Coupling with Compression Fitting	61062-1	1	0.5	0.03	0.001
Heat Shrink Kit (1-piece)	10047-2154				
Heat Shrink Kit (2-piece)	10047-1425				
Mounting Plate	50516-S532				
Isolation Transformer	See Transformer Section				

## Renewal Parts

Description	Part Number	Description	Part Number
Bolt, Slipfitter	10A10-025D32	Lamp, PK30d, 150 watts, 6.6A	10047-2310
Filter, Absorption Clear	50256	Lamp, PK30d, 200 watts, 6.6A	10047-2477
Filter, Absorption Green	50251-G	Lead Assy., 6.6A, 6.5' (2m) Long	50136
Filter, Absorption Red	50251-R	Lens Seal	50126
Housing Assembly	50115-2	Rear Cover Assembly	50124
Lamp, PK30d, 100 watts, 6.6A	10047-2138	Slipfitter, Less Hardware	50106