

TRANSFORMERS

Series Isolation Transformers

Compliances:

FAA: AC 150/5345-47: Current Edition: L-830 & L-831
 ICAO Design Manual, Part 5
 US Military
 STNA (France)
 CSA (Canada)
 IAF (India)



Applications

Isolation transformers are used in series airfield and highway lighting circuits to electrically isolate the lighting fixture from the medium voltage usually present. Specialty transformers are also available for non-standard applications. The transformers are totally encapsulated in TPR Rubber and, when applied with proper connections, are suitable for direct burial in the soil.

Features



- ETL Certified
- Military Transformers comply with MIL-T-27535
- Totally Encapsulated
- Primary Leads (2) with plug and receptacle
- Secondary Lead (1) with two wire receptacle
- For a grounded core and secondary, add (-GRS) to the catalog number. (Contact Crouse-Hinds for suitability and availability of this option.)

Ordering Information

Catalog Number	Nominal Wattage	Primary Rating	Secondary Rating	Specification
FAA Isolation Transformers L-830 60 Hz				
TA010666-XX	10/15	6.6A	6.6A	FAA
TA025666-XX	20/25	6.6A	6.6A	FAA
TA045666-XX	30/45	6.6A	6.6A	FAA
TA045266-XX	30/45	20A	6.6A	FAA
TA065666-XX	65	6.6A	6.6A	FAA
TA10066D-XX	100	6.6A	6.6A	FAA
TA100266-XX	100	20A	6.6A	FAA
TA150666-XX	150	6.6A	6.6A	FAA
TA150266-XX	150	20A	6.6A	FAA
TA200666-XX	200	6.6A	6.6A	FAA
TA200266-XX	200	20A	6.6A	FAA
TA300626-XX	300	6.6A	20A	FAA
TA300226-XX	300	20A	20A	FAA
TA300666-XX	300	6.6A	6.6A	FAA
TA300266-XX	300	20A	6.6A	FAA
TA500626-XX	500	6.6A	20A	FAA
TA500266-XX	500	20A	20A	FAA
TA500666-XX	500	6.6A	6.6A	FAA
TA500666-XX	500	6.6A	6.6A	FAA
TA200GH6-01/10	200	5.5A	6.2A	FAA
TA300GH6-01/10	300	5.5A	6.2A	FAA
FAA Isolation Transformers L-831 50 Hz				
TA010665-XX	10/15	6.6A	6.6A	FAA
TA025665-XX	20/25	6.6A	6.6A	FAA
TA045665-XX	30/45	6.6A	6.6A	FAA
TA045265-XX	30/45	20A	6.6A	FAA
TA065665-XX	65	6.6A	6.6A	FAA
TA10066D-XX	100	6.6A	6.6A	FAA
TA100265-XX	100	20A	6.6A	FAA
TA150665-XX	150	6.6A	6.6A	FAA
TA150265-XX	150	20A	6.6A	FAA
TA200665-XX	200	6.6A	6.6A	FAA
TA200265-XX	200	20A	6.6A	FAA
TA300625-XX	300	6.6A	20A	FAA
TA300225-XX	300	20A	20A	FAA
TA300665-XX	300	6.6A	6.6A	FAA
TA300265-XX	300	20A	6.6A	FAA
TA500625-XX	500	6.6A	20A	FAA
TA500265-XX	500	20A	20A	FAA
TA500665-XX	500	6.6A	6.6A	FAA
TA500265-XX	500	20A	6.6A	FAA

xx - suffix : 01 "Tennis Ball" FAA L823 Style 8 " for frangible coupling light fixtures"
 -10 "Straight" FAA L823 , Style 7

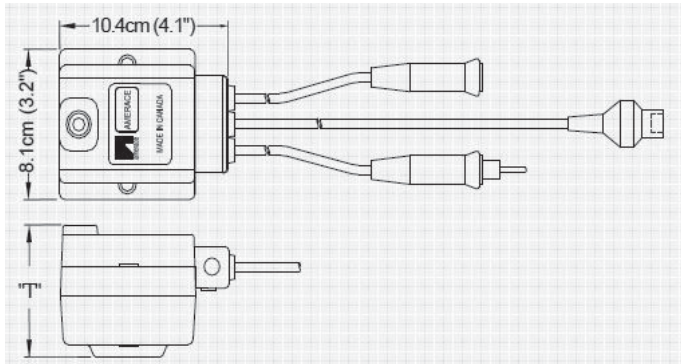


-01 STYLE 8

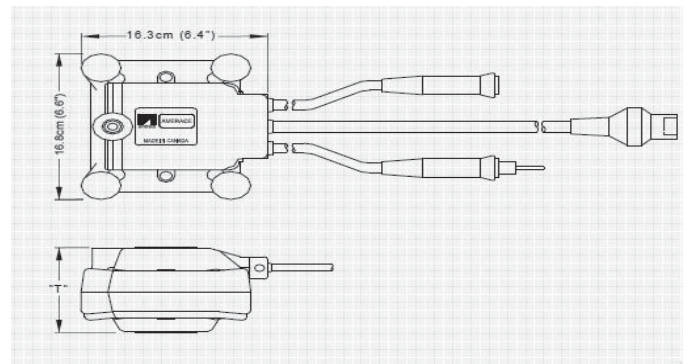


-10 STYLE 7

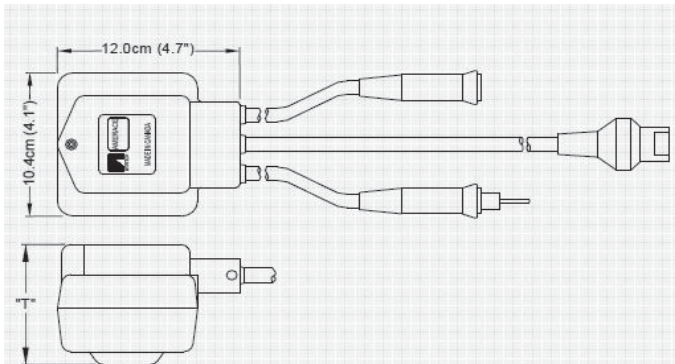
Technical Data



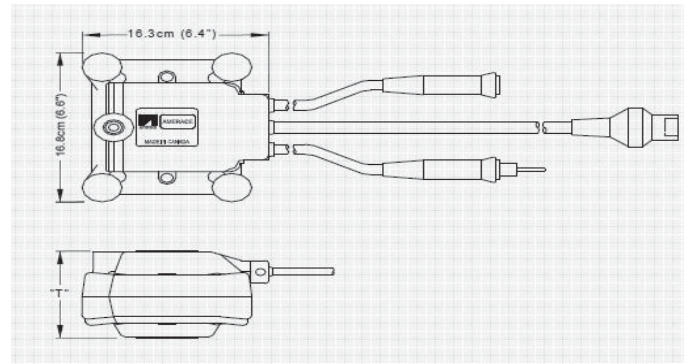
10 - 25 W Transformer



100 - 150 W Transformer



30 - 65 W Transformer



150 - 500 W Transformer