

# Runway and Taxiway Inset Lights

## PRO III™ IRELI

### Inset Runway Edge Light - ICAO

#### Compliances:

ICAO Annex 14: Fig. A2.10



#### Applications

The IRELI is a high intensity bidirectional light (using two 105 watt lamps) or unidirectional light (using one 105 watt lamp). This fixture is used where taxiways intersect the runway and any other runway edge locations where it is impractical to use an elevated light.

#### Features

- Low profile, .50" (12 mm)
- Few parts to stock
- Easy to maintain – no sealant required for prism
- Pressure test plug for seal integrity verification
- Long lamp life – Quartz Halogen, 105 W, 6.6 A

#### Ordering Information

8 5 0 6 A - - -

#### Fixture Type:

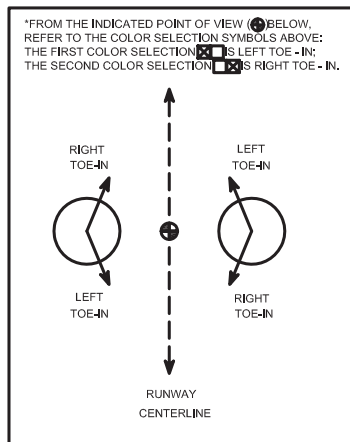
8506A = Runway, Model 6, ICAO Fig. A2.10

#### Color\*:

- CC = Clear
- CY = Clear/Yellow
- YC = Yellow/Clear
- YX = Yellow/Blank
- XY = Blank/Yellow
- CX = Clear/Blank
- XC = Blank/Clear

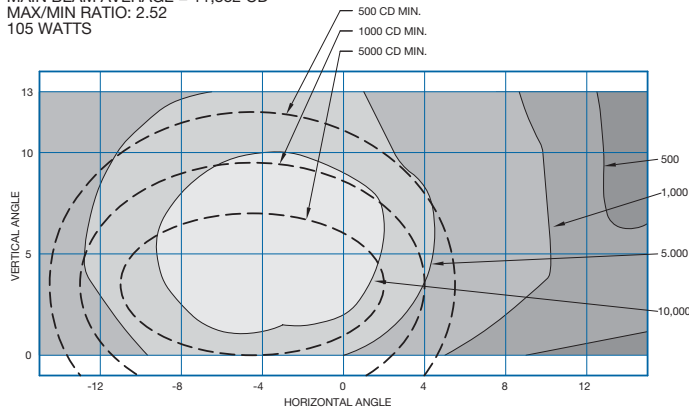
#### L-823 Plug Connection:

- P1 = One plug
- P2 = Two plugs



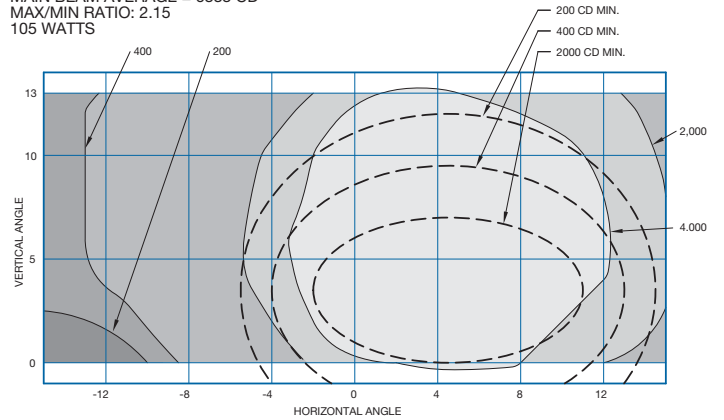
**Fixture Type 8506A - 105 Watt MR-16 Lamp**  
**Function: ICAO Fig. A2.10**

FIXTURE P/N 8506A-CY-P1  
 ICAO FIGURE 2.10, CLEAR  
 MAIN BEAM MINIMUM = 6,298 CD  
 MAIN BEAM MAXIMUM = 15,886 CD  
 MAIN BEAM AVERAGE = 11,352 CD  
 MAX/MIN RATIO: 2.52  
 105 WATTS



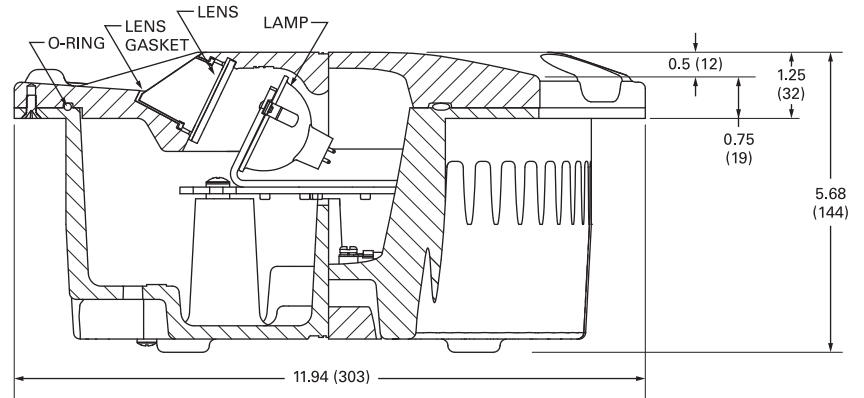
**Fixture Type 8506A - 105 Watt MR-16 Lamp**  
**Function: ICAO Fig. A2.10, yellow**

FIXTURE P/N 8506A-CY-P1  
 ICAO FIGURE 2.10, YELLOW  
 MAIN BEAM MINIMUM = 3,847 CD  
 MAIN BEAM MAXIMUM = 8,268 CD  
 MAIN BEAM AVERAGE = 6333 CD  
 MAX/MIN RATIO: 2.15  
 105 WATTS



**Outline Drawings**

Dimensions:	Inches (mm)
Instruction Manual:	2707
Shipping Weight:	17.0 lbs. 7.7 kg.
Shipping Volume:	0.6 cu. ft. 0.04 m <sup>3</sup>



**Accessories**

Item Description	Catalog Number	Item Description	Catalog Number
Base: L-868B, Class I, 24" Deep*	AC24242Q200303	Heat Shrink Kit – 2 Piece	10047-1425
Connector Kit – L-823, 8 AWG, 0.32" to 0.43" O.D.	54 Super-D4-D4	Isolation Transformer	See Transformer Section
Connector Kit with ground 5KV	823KP-S-D4-D4	Lifting Tool	19999
Primary Connector Kit, Resin Filled	KDR600		
Heat Shrink Kit – 1 Piece	10047-2154		

**Renewal Parts**

Item Description	Catalog Number	Item Description	Catalog Number
Bottom Cover Assembly with Power Lead, -1 = 1 Lead, -2 = 2 Leads	21286-X	Lens Replacement Kit – Clear	21480-C**
Lamp – 105 W, 6.6 A	21128	Lens Replacement Kit – Yellow	21480-Y
		O-Ring – Bottom Cover	10035-33-273

\* Fixture with total lamp wattage greater than 150W should not be mounted on 12" diameter bases less than 20 inches (500mm) deep. Class II bases are not recommended for this application.  
 \*\* For fixtures built after June 2009. Fixtures built before June 2009 require a 21276-C/Clear or 21276-Y/Yellow Lens Replacement Kit.

**Note:**

1. Lens Replacement Kit includes lens, lens boot, lens retaining gasket, gasket lubricant, and lens retaining bracket and screws.