

Champ F2MV mini floodlights

Cl. I, Div. 2, Groups A, B, C, D
Cl. I, Zone 2, Group IIC

Marine & Wet Locations
NEMA Type 4X

6L

The Champ® F2MV is a compact floodlight consisting of a Corro-free epoxy coated copper-free aluminum enclosure, with stainless steel external hardware and impact-resistant glass. It is available for use with mogul base HID lamp types and wattages from 50 to 175 watts.

Applications:

- Oil and gas refineries, drilling rigs, petrochemical facilities, food and beverage facilities, platforms, loading docks, tunnels, outdoor wall and stanchion mounted general area lighting, and where flammable vapors, gases, ignitable dusts, fibers or flyings are present
- Classified and hazardous locations or where extremely corrosive, wet, dusty, hot and/or cold conditions exist

Features:

- Small, compact size – easy to install and maintain
- 40°C and 55°C ambient suitability – addresses high ambients common in industrial facilities
- Low ambient capability to -40°C – perfect for colder climates
- Heavy duty copper-free aluminum enclosure with epoxy coating and stainless steel hardware – provides a robust design with industrial grade construction and corrosion resistance
- Continuous silicone gasketing – ensures wet and marine locations integrity
- Stainless steel tether chain and captive cover screws – secure cover to housing ensures ease of maintenance
- Trunnion (yoke) mount design – standard construction provides the greatest mounting flexibility; can be mounted vertically (wall), horizontally (rooftop or floor) or any angle in between
- Requires only two bolts to mount – simplifies installation
- Heat- and impact-resistant tempered glass lens – provides exceptional stability
- Shock-absorbing mogul base lamp socket – cushions lamp; improves lamp life in harsh environments
- 3-axis resonance withstand and UL844 vibration compliant – stands up to the tough jobs
- Precision formed aluminum reflector – superior beam control, distribution and efficiency
- NEMA 7x6 floodlight pattern with lamp orientation base down – the ideal light distribution for industrial applications
- Multi-tap ballasts – offering a choice of 120, 208, 240 and 277V; 220V, 50 Hz; 240V, 50 Hz; tri-tap (120, 277 and 347V); and 480V ballasts are also available
- High light output with a low cost of operation – a cost-effective high wattage floodlight
- For use with SFA6 slipfitter adapter and SWB6 wall mount bracket accessories – further enhances mounting flexibility
- Restricted breathing compliance – cooler T-numbers for increased hazardous locations suitability

Standard materials:

- Enclosure (housing and lens cover) – copper-free aluminum
- Cover chain and external hardware – stainless steel
- Lens – heat- and impact-resistant glass
- Gaskets – silicone rubber
- Yoke – copper-free aluminum
- Reflector – diffused aluminum lighting sheet

Standard finishes:

- Enclosure and yoke – Corro-free epoxy powder coat
- Stainless steel – natural



Certifications and compliances:

NEC/CEC:

- Class I, Division 2, Groups A, B, C, D
- Marine and wet locations
- NEMA Type 4X

IEC/NEC/CEC:

- Class I, Zone 2, Group IIC
- With suffix S826 and S826TB restricted breathing (Ex nR) option
- Class I, Division 2

UL standards:

- UL844 – Hazardous (Divisions Classified) Locations
- UL2279 – Hazardous (Zones Classified) Locations
- UL1572 – Ordinary and Wet Locations, Marine Outside Type

CSA standards:

- C22.2 No. 137
- CAN/CSA-E79 Series

IEC standard:

- 60079-15

Electrical ratings:

Sources/wattages (mogul base lamps):

- High pressure sodium (HPS) – 50, 70, 100, 150W
- Metal halide (MH) – 70, 100, 175W

Voltages:

Standard voltage ballasts

- Multi-tap (120, 208, 240, 277V, 60 Hz)
- 480V, 60 Hz
- Tri-tap (120, 277, 347V, 60 Hz)

Optional voltage ballasts

- 220V or 240V, 50 Hz (for export)
- 220V, 60 Hz (for export)

Hub sizes:

- Standard – two 3/4" NPT
- Optional – two 25mm (M25 x 1.5) or two 20mm (M20 x 1.5)

Photometrics:

- Complete photometrics can be found at www.crouse-hinds.com/photometrics

Champ F2MV mini floodlights

Cl. I, Div. 2, Groups A, B, C, D
Cl. I, Zone 2, Group IIC

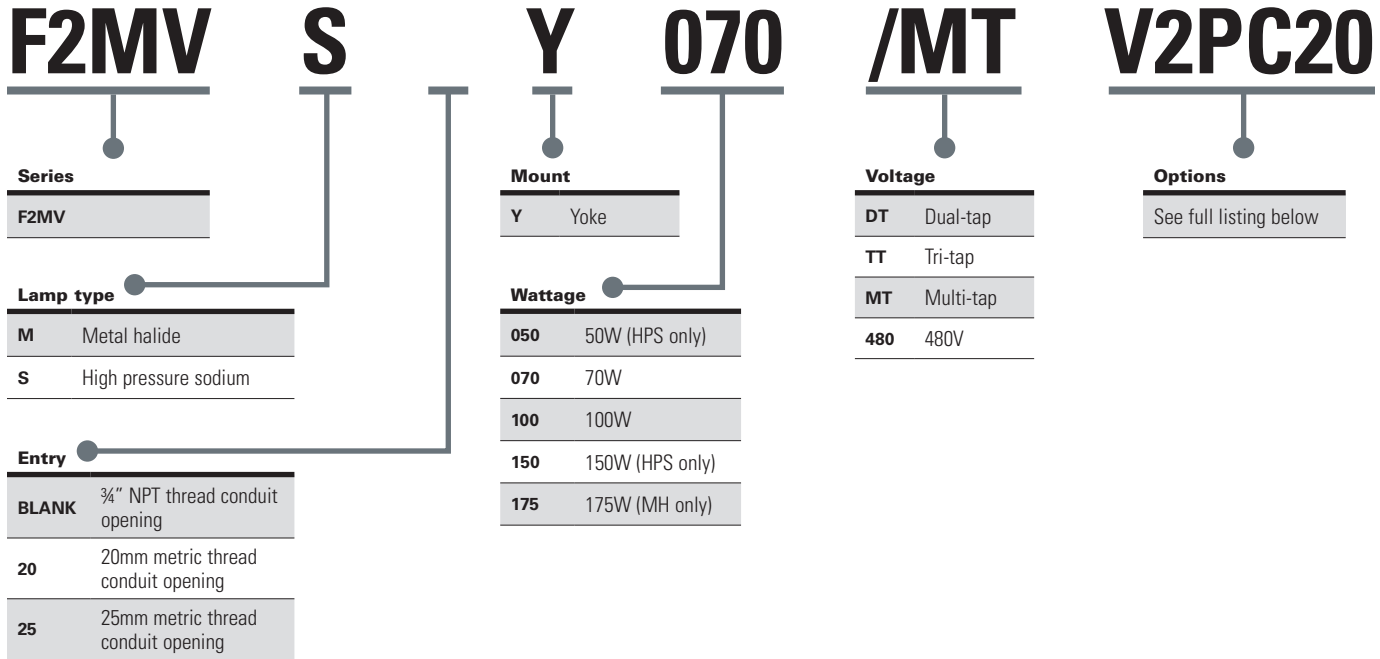
Marine & Wet Locations
NEMA Type 4X

6L

Ordering information:

Part number example

F2MVS Y070/MT V2PC20



Options:

- | Description | Suffix |
|--|---------------------------|
| • Instant restrike and Ballast-Gard
<i>Instant restrike – enables a hot HPS lamp to immediately restrike after a momentary loss of arc due to voltage fluctuation or power outage</i>
<i>Ballast-Gard starter cut-out switch – prevents starter pulsing when lamp is cycling or inoperative; prolongs ballast and ignitor life</i>
150W LX HPS only | TIR |
| • Factory assembled with HID lamp installed..... | FA |
| • Fused..... | S658 |
| <i>Not suitable for marine applications</i> | |
| • Furnished with lamps (not installed)..... | S714 |
| • Pulse start metal halide..... | S828 |
| • Retention chain..... | S831 |
| • Restricted breathing (Zone 2)..... | S826TB |
| Photocells installed: | |
| • 120V, 50/60 Hz..... | V2PC20^A |
| • 208-240V, 50/60 Hz..... | V2PC22^A |
| • 277V, 50/60 Hz..... | V2PC27^A |

Accessories (ordered separately):

- | Description | Cat. # |
|--|--------------|
| • Slipfitter adapter
<i>To be mounted to yoke mount fixture</i>
<i>Fits onto 2" pipe/conduit</i> | SFA6 |
| • Wall bracket..... | SWB6 |
| <i>Use with SFA6 slipfitter adapter for easy wall mounting and increased adjustability</i> | |
| • Bull horn, 2 tenon, gray..... | BLHN2 |
| • Bull horn, 3 tenon, gray..... | BLHN3 |

^A Photocell for Division 2 installation only.

Champ F2MV mini floodlights

Cl. I, Div. 2, Groups A, B, C, D
Cl. I, Zone 2, Group IIC

Marine & Wet Locations
NEMA Type 4X

6L

Dimensions:

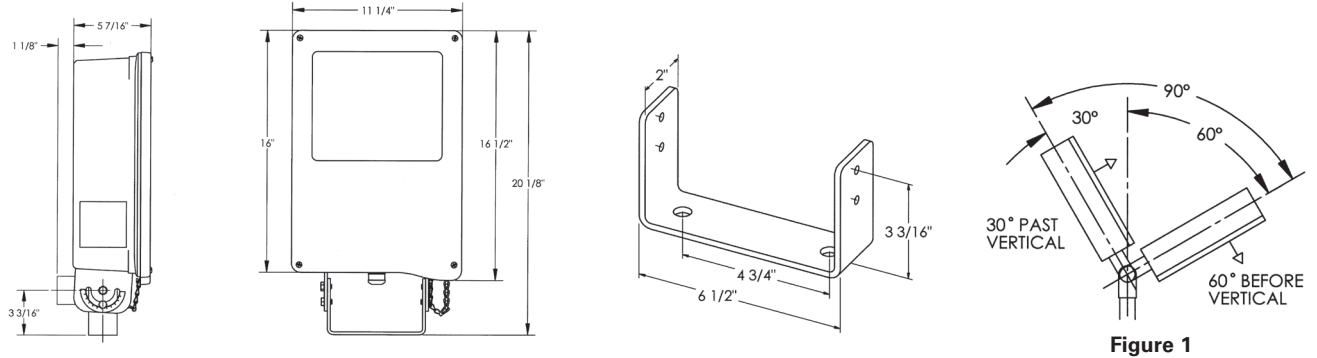


Figure 1

Weights:

Series	Weight (lbs.)
F2MVS	26.00
F2MVM	26.00

Temperature performance data:

Series	Lamp type	Lamp watts	40°C ambient			55°C ambient			65°C ambient			Fixture aiming	
			Temperature code			Temperature code			Temperature code			Range	Figure
			Class I, Zone 2 Ⓒ	Class I, Div. 2	Supply wire °C	Class I, Zone 2 Ⓒ	Class I, Div. 2	Supply wire °C	Class I, Zone 2 Ⓒ	Class I, Div. 2	Supply wire °C		
F2MVS	High pressure sodium	50	T6	T3C	75	T6	T3C	75	T3B	T5	75	90°	1
		70	T6	T3A	60	T5	T3A	75	T3	T4	85	90°	1
		100	T4	T2D	75	T4	T2C	90	—	—	—	90°	1
		150 Ⓒ	T4	T2A	75	T4	T2A	85	T3	T2A	110	90°	1
F2MVM	Metal halide	70	T6	T3C	75	T5	T3A	75	T4	T3A	85	90°	1
		100	T4	T2D	75	T4	T2D	75	T4	T2C	85	90°	1
		175 Ⓒ	T3	T2A	75	T3	T2A	85	T3	T2A	110	90°	1

Lamp selection (mogul base):

Fixture	Watts / type	Bulb	GE	Osram	Philips	Venture
F2MVSY050	50 HPS	ED23 1/2 or ET23 1/2	LU50	LU50	C50S68	—
F2MVSY070	70 HPS	ED23 1/2 or ET23 1/2	LU70	LU70	C70S62	—
F2MVSY100	100 HPS	ED23 1/2 or ET23 1/2	LU100	LU100	C100S54	—
F2MVSY150	150 HPS	ED23 1/2 or ET23 1/2	LU150/55	LU150/55	C150S55	—
F2MVMY070	70 MH	ED28	—	—	—	MH70W/U/ED28
F2MVMY100	100 MH	ED28	—	—	—	MH100/U/ED28
F2MVMY175	175 MH	ED28 or BT28	MVR175/C/U	M175/C/U	MH175/C/U	MH175/C/U

Ⓒ Suitable for use in +65°C ambient without optional fuses.

Ⓒ Restricted breathing explosion protection requires suffix S826 (TB).