

Corro-Gard NDA

corrosion-resistant incandescent luminaires

Cl. I, Div. 2, Groups A, B, C, D
Corrosive
Wet Locations
NEMA 3, 3R, 4, 4X

Applications:

Corro-Gard™ NDA luminaires made of Krydon fiberglass-reinforced polyester are used to provide incandescent lighting:

- Indoors or outdoors in industrial wet or dirty locations and where corrosion is a problem
- In marine applications, above and below deck, where salt spray corrosion shortens fixture life
- In food and beverage industries where frequent wash downs are necessary
- For walkways, bridges, tunnels, security lighting, cold storage facilities, garages, coal handling areas, shipboard, processing plants and nuclear generating plant containment areas

Features:

- Luminaire is molded Krydon for excellent corrosion, heat and impact resistance
- Accommodates all popular incandescent lamps up to 300 watt, PS-25
- Attractive modern design and color complement other Corro-Gard products
- Weighs only 8.5 lbs. complete with lamp and globe
- Medium screw base porcelain lamp socket has a vibration absorbing mounting bracket
- All joints are gasketed to ensure watertightness
- Configured glass globe reduces glare
- Corro-Gard reflectors made of Krydon reflect light better than porcelainized steel; do not yellow or discolor with age; cannot chip, peel, rust or dent

Certifications and compliances:

- UL standard: 1598
- Wet locations
- Suitable for 40°C ambient temperature

Standard materials:

- Bodies and reflectors – Krydon fiberglass-reinforced polyester
- Globes – configured heat-resistant glass

Standard finishes:

- Bodies – natural
- Reflectors – natural, high reflectance white

Options:

- Description** **Suffix**
- Teflon coating on G24 globe for increased shatter protection..... **S808**

Ordering information: (For pendant mounting)

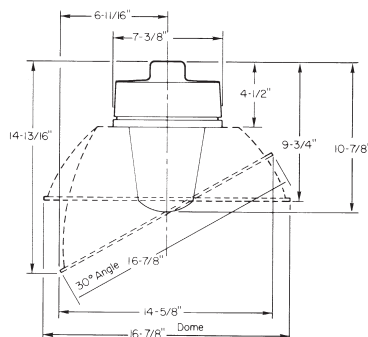
Hub size	Max. lamp size	Cat. # Body	Cat. # Globe	Cat. # Body with globe
3/4"	300W, PS-25 med. base, 120V	NDA22	G24	NDA22G

Temperature performance data: (Based on 40°C ambient)

Max. lamp size	T-code	Supply Wire °C
300W	T2A	150

Note: Fixtures are not marked with T-code.

Dimensions (in inches):



Accessories (ordered separately):

Globes and guard



G24



P21

Color	Cat. # Globe	Cat. # Guard
Clear (heat-resisting)	G24	P21
Green	G25	
Blue	G26	
Red	G27	
Amber	G28	

Replacement lamp receptacle with strap

Shock-absorbing



Description	Cat. #
Replacement lamp receptacle	NV84



Photometrics:

- Complete photometrics can be found at www.crouse-hinds.com/photometrics

Reflectors



Dome



30° angle

Type	Cat. #
Dome	RD725
30° angle	RA725