

Pauluhn ZonePro explosionproof linear fluorescent luminaires

Cl. I, Div. 1, Groups C, D
Cl. II, Div. 1 & 2, Groups E, F, G
Cl. III

5L

Applications:

- High, mid and low bay
- Paint booths
- Paint and formulation facilities
- Aircraft fueling and maintenance areas
- Oil and gas exploration and production
- Fuel dispensing facilities
- Marine and watertight requirements
- Petrochemical facilities
- Dusttight requirements

Features:

- High output luminaire, up to 40,000 raw lumens
- Available with two T5/T5HO lamps in each globe assembly
- Fluorescent system provides energy savings up to 50% when compared to HID
- Multi-voltage electronic ballast resistant to brownouts or voltage and frequency fluctuations
- Lowest temperature rating available (T6)
- Provided with 4100°K, low mercury TPLC compliant lamps
- Impact-resistant borosilicate glass tubes
- Adjustable mounting brackets allow a 110° range of aiming positions
- Integral safety cable mounting points
- Spring loaded lamp holders for maximum vibration resistance
- Low profile design affords maximum mounting versatility
- Optional, self-contained emergency battery back-up ballasts
- UL Listed for paint spray booth applications

Certifications and compliances:

- Class I, Division 1, Groups C, D
- Class II, Divisions 1 & 2, Groups E, F, G
- Class III
- UL844 – Hazardous Locations
- UL1598A – Luminaires for Marine Vessels
- UL1203 – Electrical Equipment for Hazardous Locations
- CSA - Class 3428 03
- CSA - Class 3428 83
- Marine Outside Type Saltwater
- Paint Spray Booth Approved
- Rated up to 55°C
- Type 3R enclosure
- Conforms to IP66
- ABS

Standard materials and finishes:

- Housing – cast copper-free aluminum
- Optional guard – stainless steel
- Hardware – stainless steel
- Reflector – Type 6065 aluminum with an electrostatically applied white polyester powder coat finish; minimum 90% reflectance
- Globe assembly – high impact-resistant tempered borosilicate glass
- Lamp holder – engineered plastics, no urea materials

Temperature performance data:

| Watts | Ballast / socket type | ANSI lamp code | Class I | Class II; Class III | Starting temperature | Maximum ambient °C ^A | Supply wire °C |
|-------|-----------------------|----------------|---------|---------------------|----------------------|---------------------------------|----------------|
| 17 | T8 bi-pin G13 | F17-T8 | T6 | T3C | 0°F (-18°C) | 40 | 90 |
| 32 | T8 bi-pin G13 | F32-T8 | T6 | T3C | -20°F (-29°C) | 40 | 90 |
| 40 | FT40 2G11 | FT40-CF | T6 | T3C | 0°F (-18°C) | 40 | 90 |
| 35/60 | T12HO RDC R17d | F24/F48-T12HO | T6 | T3C | -20°F (-29°C) | 40 | 90 |
| 14/28 | T5 mini bi-pin G5 | F14/F28-T5 | T6 | T3C | 0°F (-18°C) | 40 | 90 |
| 24/54 | T5HO mini bi-pin G5 | F24/F54-T5HO | T6 | T3C | -20°F (-29°C) | 40 | 90 |



Technical specifications:

- Entries – three 1/2" NPT outlets, two plugged
- Lamp holder – spring loaded for T5, T5HO, T8 and T12 lamp types
- Ballast – 120-277V, 50/60 Hz electronic; 347V and 480V (optional)
- Emergency battery back-up ballast – optional, self-contained 90 minute minimum for all lamp types; 120 minute minimum for F32T8 one lamp; starting temperature 32°F (0°C)

Mounting options:

- Two adjustable aluminum surface mount brackets; optional pendant bracket mount available

Photometrics:

- Complete photometrics can be found at www.crouse-hinds.com/photometrics

^AContact factory for optional higher ambient models.

Pauluhn ZonePro explosionproof linear fluorescent luminaires

Cl. I, Div. 1, Groups C, D
Cl. II, Div. 1 & 2, Groups E, F, G
Cl. III

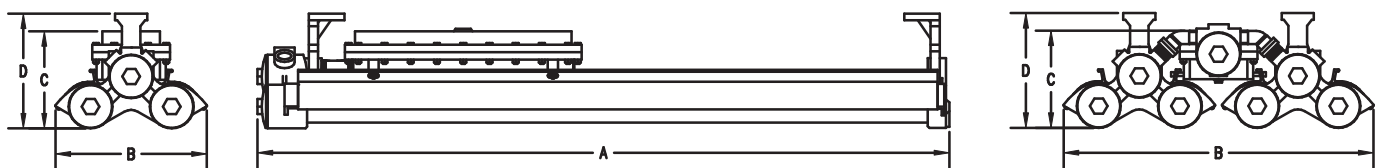
5L

Ordering information:

Part number example
ZP42871**

| | | | | | | |
|---|----------|----------|----------|----------|----------|-----------|
| ZP | 4 | 2 | 8 | 7 | 1 | ** |
| Model | | | | | | |
| ZP | | | | | | |
| Length (nominal) | | | | | | |
| 2 2 foot | | | | | | |
| 4 4 foot | | | | | | |
| Number of lamps | | | | | | |
| 2 2 lamps, 2 globe assemblies | | | | | | |
| 4 4 lamps - 2 globe assemblies for lamp types 2, 5 and 6 - 4 globe assemblies for lamp types 1 and 8 | | | | | | |
| 8 8 lamps, 4 globe assemblies for lamp types 2 and 5 | | | | | | |
| Lamp type | | | | | | |
| 1 2 ft. F17 or 4 ft. F32 (T8 bi-pin) | | | | | | |
| 2 2 ft. FT40 (CF 2G11) | | | | | | |
| 5 2 ft. F24 or 4 ft. F54 (T5HO mini bi-pin) | | | | | | |
| 6 2 ft. F14 or 4 ft. F28 (T5 mini bi-pin) | | | | | | |
| 8 2 ft. F24 or 4 ft. F48 (T12HO RDC) | | | | | | |
| Voltage / frequency | | | | | | |
| 7 120-277V, 50/60 Hz | | | | | | |
| 6 347V, 60 Hz (contact factory) | | | | | | |
| 9 480V, 60 Hz (contact factory) | | | | | | |
| Mounting style | | | | | | |
| 0 Low profile, three position pendant mount | | | | | | |
| 1 Pendant mount, ½" NPT hub added to power end; ZP1095MTK not included; ZP1050 pendant bracket included (for 2 globe models only) | | | | | | |
| 3 Surface/ceiling mount standard design; ZP1093MTK brackets included; drop bracket mounting available separately | | | | | | |
| Options | | | | | | |
| EM1 ^B Emergency battery back-up ballast, one lamp, 277V max. | | | | | | |
| EM2 ^C Emergency battery back-up ballast, one lamp, 277V max. | | | | | | |
| EM3 ^C Emergency battery back-up ballast, high lumen, 277V max. | | | | | | |
| LL Long life lamps (F54T5HO only) | | | | | | |
| PS Polycarbonate shield | | | | | | |
| WG Stainless steel wire guard | | | | | | |

Dimensions:



Dimensions in inches / centimeters

| Nominal length | A | B | C | D | Carton L x W x D (in.) | Nominal weight Lbs. (kg.) |
|----------------|----------------|---------------|--------------|--------------|--|---------------------------|
| 2 foot, 2 tube | 27.50 (69.90) | 11.30 (28.60) | 7.30 (18.60) | 8.50 (21.60) | 34 ⁵ / ₈ x 13 ³ / ₈ x 10 ³ / ₈ | 52.0 (23.6) |
| 4 foot, 2 tube | 51.50 (130.80) | 11.30 (28.60) | 7.30 (18.60) | 8.50 (21.60) | 58 ⁷ / ₄ x 12 ³ / ₄ x 10 | 61.5 (27.9) |
| 4 foot, 4 tube | 51.50 (130.80) | 23.50 (59.70) | 7.30 (18.60) | 9.50 (24.10) | 55 ¹ / ₁₆ x 17 ¹ / ₄ x 10 ⁹ / ₁₆ | 119.0 (54.0) |

^BLamp types 5 and 6.

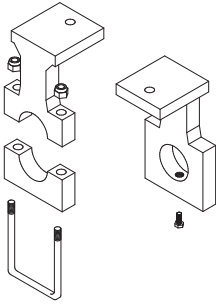
^CNot available for lamp type 5.

Pauluhn ZonePro explosionproof linear fluorescent luminaires

Cl. I, Div. 1, Groups C, D
Cl. II, Div. 1 & 2, Groups E, F, G
Cl. III

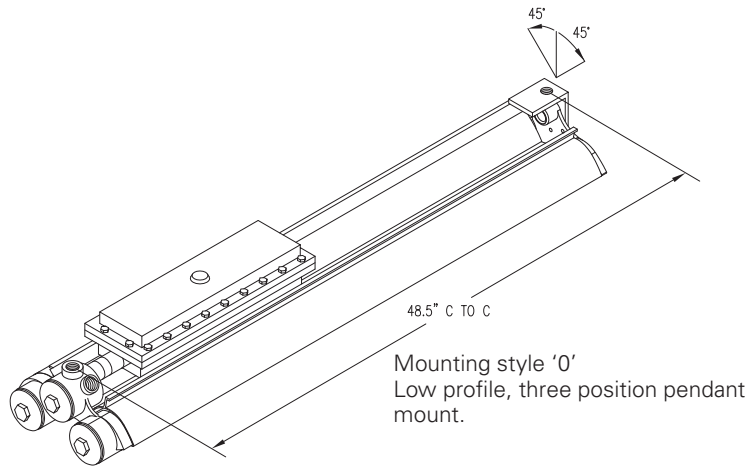
5L

Mounting options:

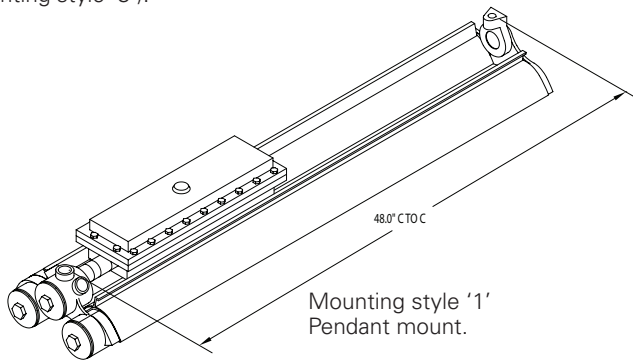


ZP1093MTK

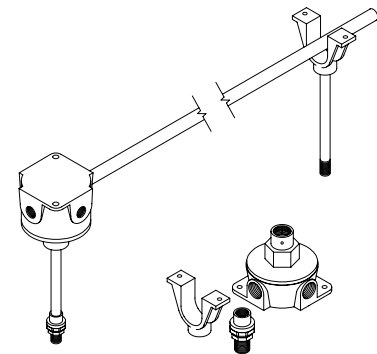
Surface/ceiling mount kit.
Two brackets (included in mounting style '3').



Mounting style '0'
Low profile, three position pendant mount.

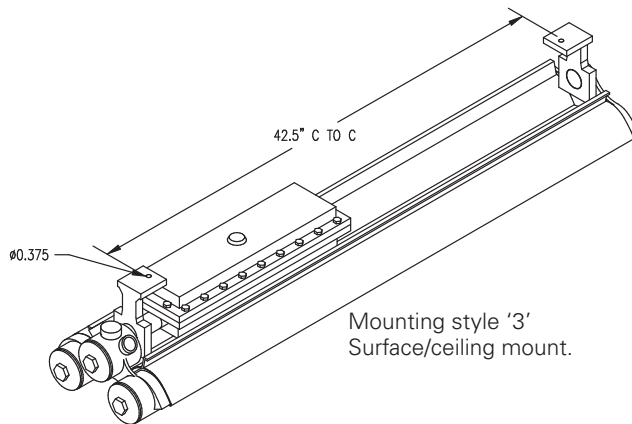


Mounting style '1'
Pendant mount.

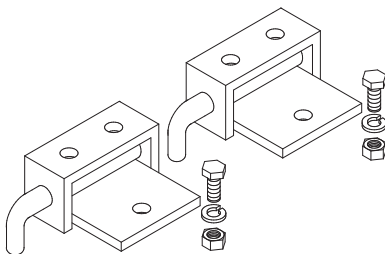


ZP1095MTK

Pendant mount kit.
1 - 1/2" union, saddle strap, Class I, Division 1 box and cover with 1/2" NPT hubs (for use with mounting style '1').

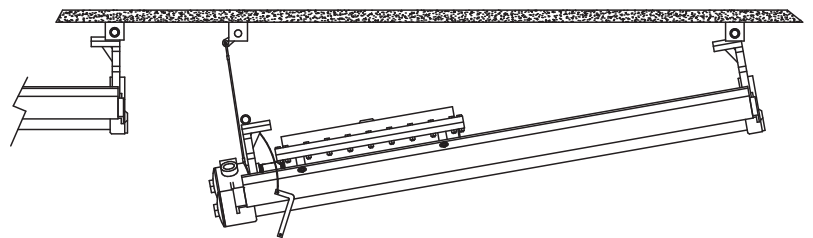


Mounting style '3'
Surface/ceiling mount.



ZP1099MTK

Drop bracket mounting kit.
Two drop brackets and support cable. Two kits required for 4-lamp model (for use with mounting style '3' only).



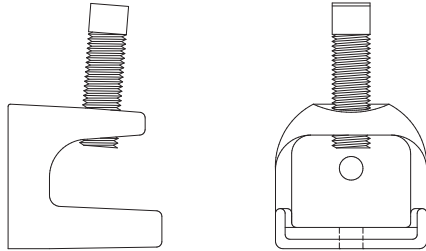
5L

Pauluhn ZonePro explosionproof linear fluorescent luminaires

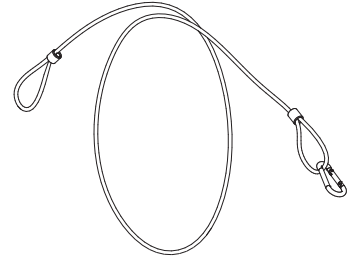
Cl. I, Div. 1, Groups C, D
Cl. II, Div. 1 & 2, Groups E, F, G
Cl. III

5L

Accessories (ordered separately):



1.1250"
jaw opening
0.3125"
mounting holes
1/2" set screw



BEAM CLAMP KITS

BC2K

Two beam clamp kit.
For use with ceiling/surface mount '3'.
(Two kits required for 4-tube model).

SC30H

48" safety cable.
Stainless steel with snap hook.

ZP-BCKT

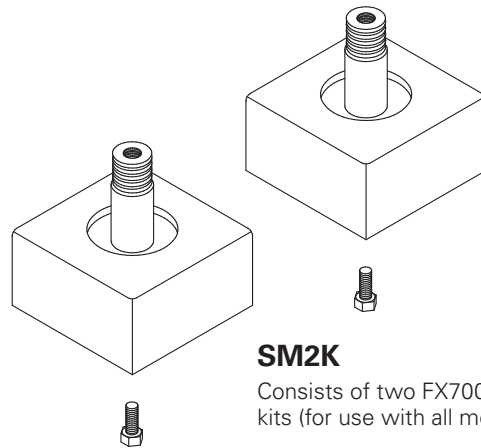
Includes BC2K and SC30H

ZP-SMKT

Includes BC2K, SC30H and SM2K

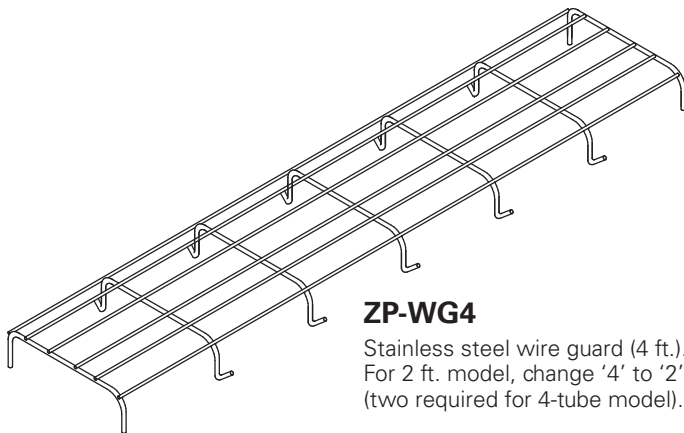
ZP-DPKT

Includes BC2K, SC30H and ZP1099MTK



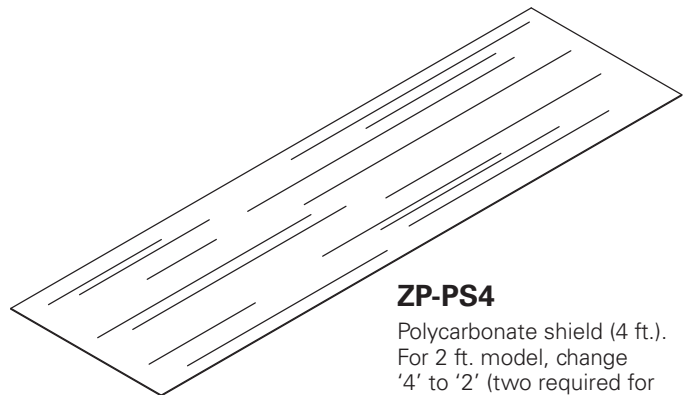
SM2K

Consists of two FX7004A shock mount kits (for use with all mounting kits).



ZP-WG4

Stainless steel wire guard (4 ft.).
For 2 ft. model, change '4' to '2'
(two required for 4-tube model).



ZP-PS4

Polycarbonate shield (4 ft.).
For 2 ft. model, change
'4' to '2' (two required for
4-tube model).