



Champ VMVL LED with emergency back-up battery

Lighting and back-up power is critical to any safety plan. That's why we've expanded our offering to include the Champ VMVL EM LED luminaire with an integrated battery backup.

In the event of power loss or power interruption, Champ® VMVL LED with built-in back-up power provides 90 minutes of emergency lighting to help keep your people safe and your plant running smoothly.

Designed for maintenance-free illumination in egress and emergency lighting areas, the Champ VMVL is rated for indoor and outdoor emergency lighting in hazardous locations, such as manufacturing plants, heavy industrial, chemical, petrochemical facilities, platforms, loading docks and parking areas.



Certifications and compliances:

NEC & CEC

- Class I, Division 2, Groups A, B, C, D
- Class II, Division 1, Groups E, F, G
- Class III
- Class I, Zone 2
- Simultaneous Presence
- Wet Locations, Type 4X, IP66

UL standards

- UL 844 Hazardous (Classified)
- UL1598 Luminaires, UL1598A Marine
- UL924 (Emergency Luminaire)

CSA standard

- CSA C22.2 No. 137

Electrical ratings:

Current draw: 120-277 VAC

Model	Input power (watts)	Nominal lumens	Battery EM not charging	Battery EM charging*
VMVL-3	26	3,250	0.10 - 0.27A	0.12 - 0.32A
VMVL-5	43	5,537	0.16 - 0.45A	0.18 - 0.50A
VMVL-7	59	7,442	0.21 - 0.61A	0.23 - 0.66A
VMVL-9	73	9,234	0.26 - 0.76A	0.28 - 0.81A
VMVL-11	91	11,114	0.32 - 0.92A	0.32 - 0.92A

*Maximum AC power draw by the charge controller is 4 Watts

All models – emergency output mode

VMVL-UNV1	1,000 lumens (100-277V)
Voltage range, VAC*	100-277V at 50/60 Hz
Power factor	≥0.90
THD	≤20%

All models

Surge protection	4kV
Effective projected area	1.35 ft ²
Dimensions (HxW)	15.68" x 11.56"
Weight	32.7 lbs

Temperature codes:

	VMVL-9 & 11 40°C	VMVL-3 to 7 50°C
Class I, Division 2	T6	T4A
Class II, Division 1	T6	T6
Simultaneous rating Class I, Division 1 & II	T3A	T3A
Class I, Zone 2	T6	T4
Zone 21	68°C	68°C



Powering Business Worldwide

Ordering information

Part number example: **VMVL-3-W-2A-G-UNV1-EM1**

Champ VMVL, 3,000 lumens, 4000K warm white, ¾" pendant mount, Type V optics, wire guard, 100-277 VAC driver, emergency driver system, clear glass lens

VMVL - 3 - W - 2A - G - UNV1 - EM1 -

Light source/intensity†

3	3,000 nominal lumens
5	5,000 nominal lumens
7	7,000 nominal lumens
9	9,000 nominal lumens
11	11,000 nominal lumens

Color temperature

BLANK	5000K, 70 CRI (<i>cool white</i>)
N*	4000K, 80 CRI (<i>neutral white</i>)
W	3000K, 80 CRI (<i>warm white</i>)

*Consult factory for lead time

Lens guard

BLANK	No guard
G	Wire guard

Optics

BLANK	Type V optic standard
R1*	Type I optic
R3*	Type III optic

*Available on VMVL5 model only

Voltage

UNV1	100-277 VAC, 50/60 Hz; 127-250 VDC
-------------	------------------------------------

Options

EM1	Emergency driver system
S812	Trunion mount with pin
S831	Safety cable
S890	Quick clip

Lens material

BLANK	Clear glass
S891	Diffused glass
S903	Polycarbonate

Mounting

BLANK	No mounting module	25A	25mm pendant	20C	20mm ceiling
J	1-½" stanchion, 25° angled	2B	¾" cone pendant	25C	25mm ceiling
P	1-½" stanchion, straight	3B	1" cone pendant	2TW	¾" wall
2A	¾" pendant	2HA	¾" flexible pendant	3TW	1" wall
3A	1" pendant	2C	¾" ceiling	20TW	20mm wall
20A	20mm pendant	3C	1" ceiling	25TW	25mm wall

Accessories (ordered separately)

Accessories

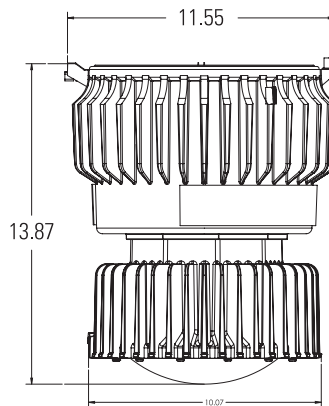
VMVL S812 K1*	Trunion mount kit with pin
VMVL S831 K1	Safety cable
VMVL S890 K1	Quick clip
P3002	Wire guard

*Available with ceiling mounted modules only.

Replacement driver and battery kits

VMVL EM BATTERY REPLACEMENT KIT	Replacement EM battery
VMVL EM DRIVER REPLACEMENT KIT	Replacement EM driver

Dimensions:



Eaton.com/Champ