

RXS3



The RXS3 is the latest generation in the RXS family, It builds on the RXS pedigree with continued evolution of proven technology and innovation.

The RXS3 has class leading efficiencies, aesthetics and quality, it is the intelligent choice where performance and value are key.

Offering a wide range of outputs, the RXS3 allows precision design choices to be made, delivering maximum energy benefit for the chosen space.

The RXS3 provides design choices from 1000 lumens to 3000 lumens, all in complimentary and matched forms.

Innovative design and inherent energy conservation gives the RXS3 efficacies up to 125Lm/cW, whilst the bespoke reflector design utilises more of the available light and provides a more attractive transition building surfaces.

- Available in 3000K and 4000K correlated colour temperature options at 80CRI
- Two size options, 95mm and 165mm cut out
- Four nominal lumen options, 1000, 1500, 2000, 3000 lumens
- High colour consistency achieved through MacAdam 3 SDCM
- Maximised energy savings with class leading efficiencies of up to 125Lm/cW
- Designed to facilitate UGR compliance to EN12464-1
- Maximised LED lifetime, 100,000hrs @L80 B50
- Available with fixed output or DALI dimming control gear
- Easy installation, with plug and play connection for larger variant
- IP65 bezel option with easy to clean profile
- Decorative 'drop cylinder' attachment option

Lamp and Control Gear Options

- Available in 3000K, 4000K, >80 CRI
- Multi-die LED technology
- Close colour tolerance: MacAdam 3 SDCM
- DALI dimming option

Materials

- Housing / heatsink - die cast aluminium, polycarbonate cable clamp
- First fix bezel - die cast aluminium, polycarbonate inserts (Large version only)
- Bezel - injection moulded polycarbonate RAL9016 finish
- IP65 bezel - injection moulded polycarbonate RAL9016 finish with clear centre lens
- Reflector - high grade satin anodised aluminium
- Drop cylinder attachment - injection moulded polycarbonate

Installation Notes

- Shallow profile to suit low ceiling voids, allow 25mm clearance above housing. Do not cover with insulation
- Allow 100mm clearance around the luminaire, with the sides free of any insulation to allow for suitable air flow
- Pre-wired driver to luminaire head minimising installation time
- Luminaire retained securely with tool-less spring clips
- Large variant has first fix bezel into which the housing twist and locks for simple installation
- RXS3 ceiling spring clips accommodate ceilings up to 30mm thickness
- Drop cylinder has simple snap fit into the IP20 trim bezel of the large and small versions - not compatible with IP65 variants

Options

- Fully integral LED emergency conversion, 3 hour duration
- Drop cylinder decorative attachment option for IP20 versions
- IP65 option available, order as complete luminaire
- CGLine+ self-test emergency versions available on special request

Catalogue numbers

Description	Cat No.	Lumens (Lms)	Circuit Watts (W)	Luminaire Efficacy (Llm/cW)	Height (mm) H	Diameter (mm) Ø1	Diameter (mm) Ø2	Cut out size (mm)	Weight (Kg)	Colour Temperature (K)
RXS3 Small 1000LM 3000K	RXS3S10003KZ	1063	9.5	111.9	79	103		95	0.5	3000
RXS3 Small 1000LM 4000K	RXS3S10004KZ	1072	9.5	112.8	79	103		95	0.5	4000
RXS3 Small 1500LM 3000K	RXS3S15003KZ	1564	14.8	105.7	79	103		95	0.5	3000
RXS3 Small 1500LM 4000K	RXS3S15004KZ	1582	14.8	106.9	79	103		95	0.5	4000
RXS3 Large 1500LM 3000K	RXS3L15003KZ	1480	12.1	122.3	98	182		165	1.8	3000
RXS3 Large 1500LM 4000K	RXS3L15004KZ	1514	12.1	125.1	98	182		165	1.8	4000
RXS3 Large 2000LM 3000K	RXS3L20003KZ	2137	17.6	121.6	98	182		165	1.8	3000
RXS3 Large 2000LM 4000K	RXS3L20004KZ	2118	17.6	120.3	98	182		165	1.8	4000
RXS3 Large 3000LM 3000K	RXS3L30003KZ	3029	25.7	117.8	98	182		165	1.8	3000
RXS3 Large 3000LM 4000K	RXS3L30004KZ	3122	25.7	121.5	98	182		165	1.8	4000
RXS3 Small decorative cylinder	RXS3SDC				29.6	41.8	64.8			
RXS3 Large decorative cylinder	RXS3LDC				47.7	77.6	113.2			

For emergency option add ER in front of catalogue number. e.g. RXS3S10003KZ becomes ERXS3S10003KZ

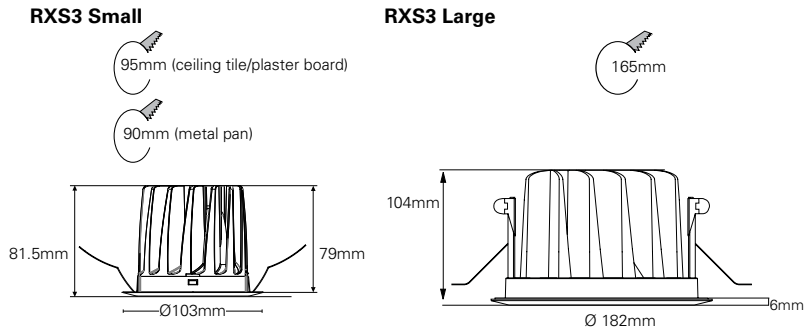
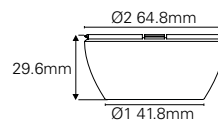
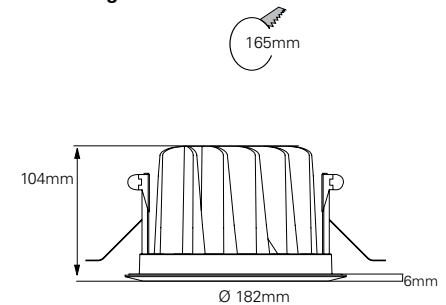
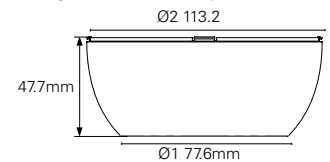
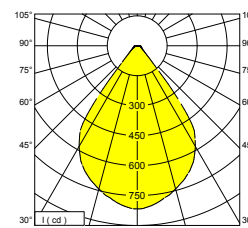
For DALI dimming option replace character Z with DD. e.g. RXS3S10003KZ becomes RXS3S10003DD

For IP65 bezel option (Drop cylinder not compatible) add the characters 65 after the colour temperature e.g. RXS3S10003KZ becomes RXS3S10003K65Z

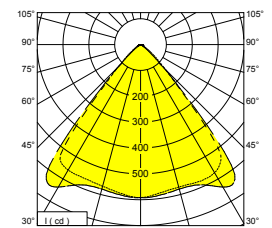
For further product specifications, please see our website.

Specification

To specify state: A recessed RXS LED Downlight with high performance passive thermal management . IP20/IP65 bezel in white RAL9016 finish. Correlated colour temperature is 3000/4000K with CRI >80 and LED lifetime 100,000hrs @ L80 B50. Eaton's RXS3 range part no _____

Dimensions**RXS3 Small decorative cylinder****RXS3 Large****RXS3 Large decorative cylinder****Photometric Data**

Cat. No. RXS3S15004KZ
RXS3 Small



Cat. No. RXS3L150044Z
RXS3 Large