

# Clamped EBMXB explosionproof circuit breakers

Cl. I, Div. 1 & 2, Groups B<sup>A</sup>, C, D  
Cl. I, Zones 1 & 2  
Cl. II, Groups E, F, G  
Cl. III  
NEMA 3R, 4X, 7BCD, 9EFG

Explosionproof  
Dust-ignitionproof

3C

## Applications:

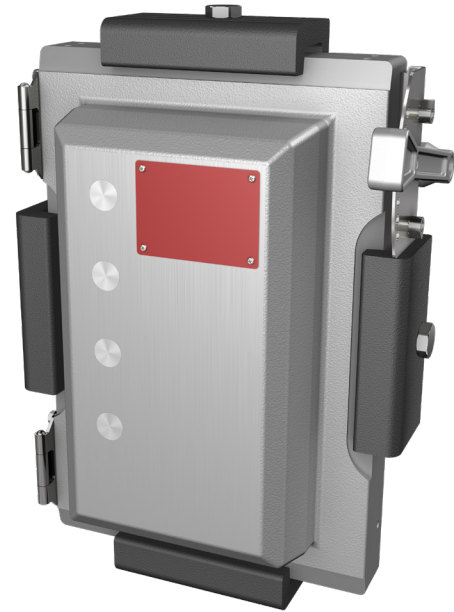
- Operating where flammable liquids or gases are handled, processed or used
- Damp, wet, dirty, dusty, hazardous areas where ultimate corrosion and ingress protection is required
- Harsh and hazardous motor control environments, including refineries, chemical and petrochemical plants, corrosive process facilities, food and beverage, marine and mining
- For service entrance, feeder or branch circuit protection for lighting, heating, appliance and motor circuits

## Features:

- Patented clamped enclosure design reduces opportunity for missing, stripped or broken bolts
- Simple clamp actuation for user-friendly access to enter enclosure
- 65 kAIC at 480V enclosure rating for high interrupting capacity applications
- -50°C to +60°C temperature range for extreme environments
- Thermal magnetic and electronic break trip option for short circuit and overcurrent protection
- Side operated handle provides visual confirmation of proper operator alignment while cover is open and can be padlocked in either ON or OFF positions for OSHA compliance
- Neoprene cover gasket provides NEMA 4X protection for hose down applications
- Maximum wiring room compliance with National Electrical Code requirements allows for easy and safe installation
- Rugged, corrosion-resistant, cast copper-free aluminum construction provides NEMA 4X protection
- Semi-clamshell enclosure design, with an external flanged ground joint between body and cover, provides increased access to interior components
- Minimum enclosure-to-enclosure spacing with little interference between the opened cover and adjacent enclosure
- Pre-drilled mounting plate for simple breaker installation
- Detachable tap-on mounting feet
- Steel brackets supplied standard for lifting during installation
- Bodies have top and bottom drilled and tapped entries for power and control conduits; removable reducers are supplied standard to accommodate smaller size conduits; all conduit entries are plugged

## Electrical ratings:

- 3-pole, 600 VAC
- Breaker frames:
  - Eaton: EG/PDG, JG, LG (up to 500A)<sup>B</sup>
  - Square D: HGL (up to 100A)
  - GE: TED (up to 100A)



3C

## Certifications and compliances:

### NEC/CEC:

- Class I, Divisions 1 & 2, Groups B<sup>A</sup>, C, D
- Class I, Zones 1 & 2
- Class II, Groups E, F, G
- Class III

### UL standards:

- UL1203 – Explosionproof and Dust-ignitionproof Electrical Equipment for use in Hazardous (Classified) Locations
- UL2062 – High AIC Ratings for Groups C, D

Voltage (AC)	RMS symmetrical amps
240, 480	65,000
600	35,000

### CSA standard:

- cUL to CSA C22.2 No. 30

### Additional certifications:

- UL/cUL certified for -50°C to +60°C
- SASO Certificate of Conformity

### Environmental ratings:

- NEMA 3R, 4X, 7BCD, 9EFG

## Standard materials:

- Body and cover – copper-free aluminum
- Clamp – anodized copper-free aluminum
- External hardware – stainless steel
- Internal parts – galvanized steel

<sup>A</sup> High AIC and -50°C temperature certifications do not apply for Group B.

<sup>B</sup> 15-100A rated 600Y/347 VAC maximum; 125-500A rated 600 VAC maximum.

# Clamped EBMXB explosionproof circuit breakers

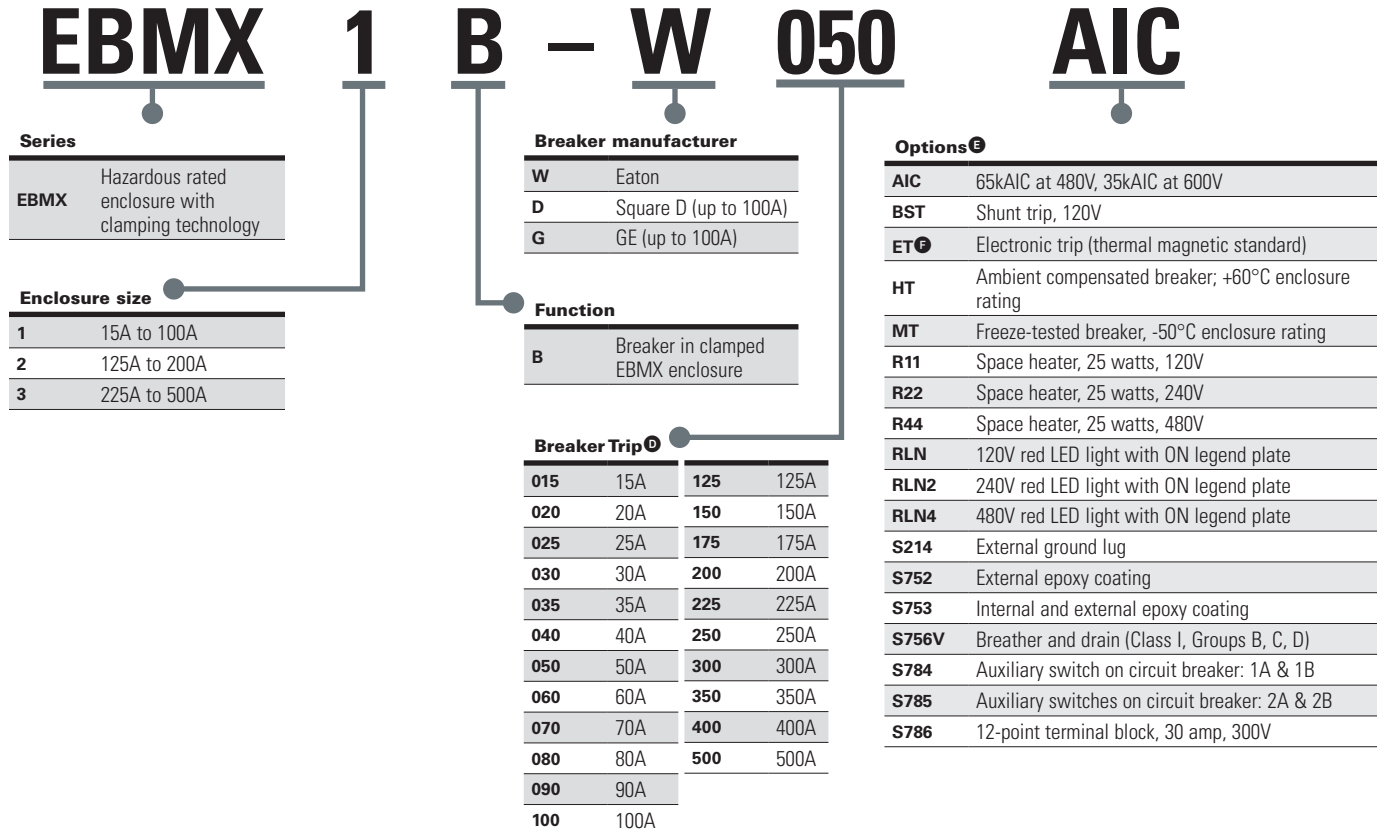
Cl. I, Div. 1 & 2, Groups B, C, D  
Cl. I, Zones 1 & 2  
Cl. II, Groups E, F, G  
Cl. III  
NEMA 3R, 4X, 7BCD, 9EFG

Explosionproof  
Dust-ignitionproof

3C

## Ordering information:

Part number example  
EBMX1B-W050 AIC



## Reference table:

### Breaker Electronic Trip Dial Settings

Amperage	Range (A)
50	20, 25, 30, 32, 40, 45, 50
100	40, 45, 50, 63, 70, 80, 90, 100
150	63, 80, 90, 100, 110, 125, 150, 160
250	100, 125, 150, 160, 170, 200, 225, 250
400	160, 200, 225, 250, 300, 350, 400
600	250, 300, 350, 400, 450, 500, 600

- High AIC and -50°C temperature certifications do not apply for Group B.
- 15-100A rated 600Y/347 VAC maximum; 125-500A rated 600 VAC maximum.
- List selected options in alphanumeric order.
- Electronic trip breakers are available in size 2 and 3 enclosures only; 600 VAC maximum.

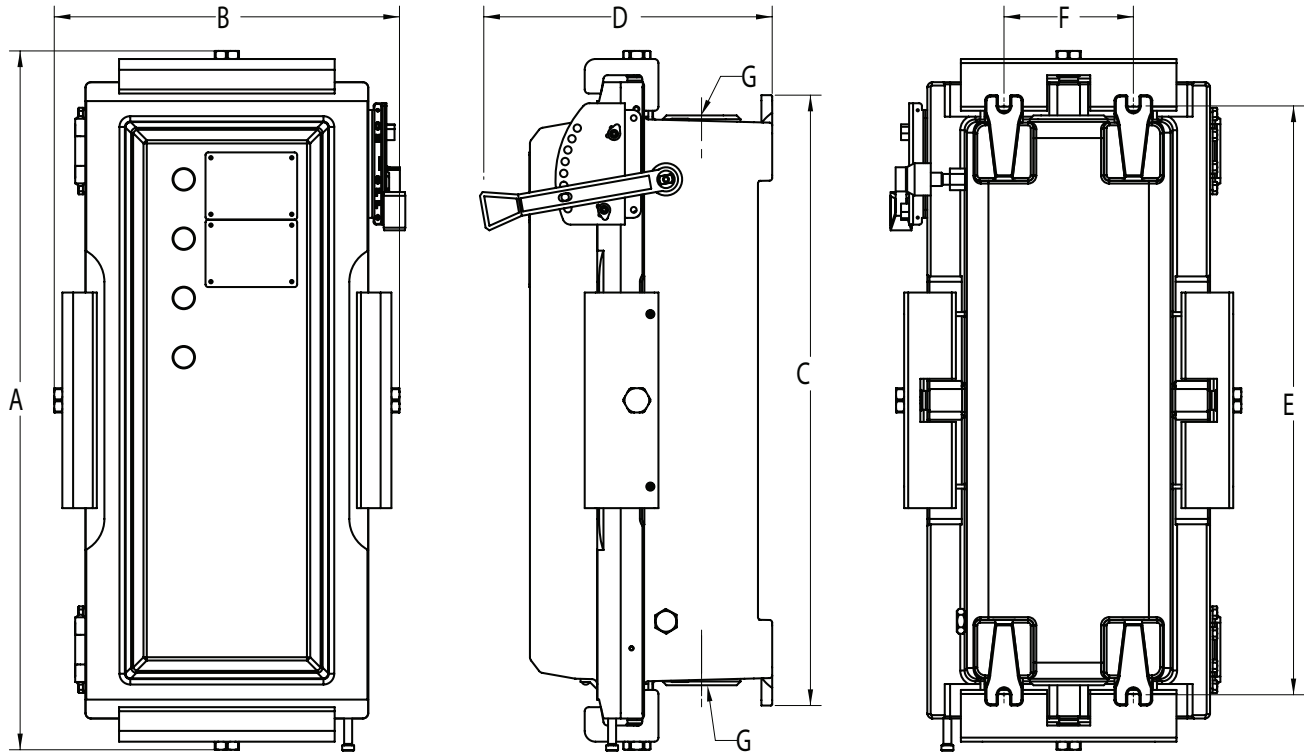
# Clamped EBMXB explosionproof circuit breakers

Cl. I, Div. 1 & 2, Groups B, C, D  
 Cl. I, Zones 1 & 2  
 Cl. II, Groups E, F, G  
 Cl. III  
 NEMA 3R, 4X, 7BCD, 9EFG

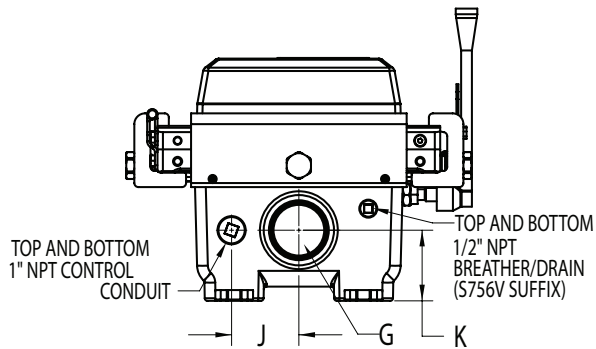
Explosionproof  
 Dust-ignitionproof

**3C**

## Dimensions (in inches):



**3C**



Enclosure Size	A	B	C	D	E	F	G		J	K
							Drilled and tapped	With reducer		
1	22.11	15.98	18.04	12.86	17.13	6.00	2 NPT	1.5 NPT	3.12	3.01
2	32.40	16.28	28.31	13.56	27.25	6.00	3 NPT	2.5 NPT	3.12	3.28
3	42.28	17.93	38.15	13.85	37.25	6.00	3 NPT	2.5 NPT	3.93	3.56

High AIC and -50°C temperature certifications do not apply for Group B.