

Lighthouse Power Pedestal - Specifications

Marina Power and Lighting Equipment



Lighthouse Power Pedestal



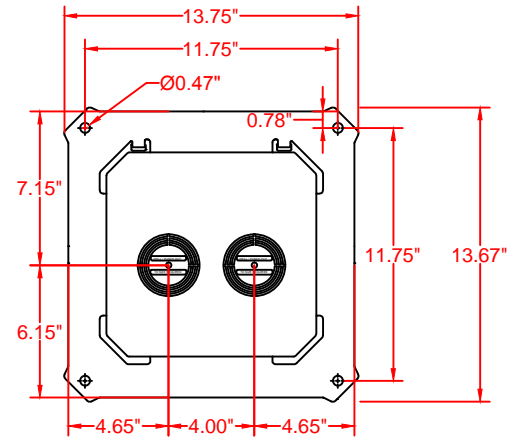
Dimensions

Height: 44.00" (1117.60 mm)
Width: 13.67" (347.22 mm)
Depth: 13.75" (349.25 mm)

Approximate
Weight: 30 lbs. (13.6 kg)

UL FILE # E133781

Lighthouse Base Diagram



Eaton Corp. - Marina Power and Lighting, Inc. General Specifications for Lighthouse Power Pedestal

All Power Pedestals Must Meet the Following:

Part I. General:

1.1 General Requirements:

- A. Shall be tested and certified to be in compliance with ANSI/UL 231 entitled "power outlets."
- B. If a laboratory other than U.L. is used that laboratory must certify, in writing, that the power outlet has been tested and meets all of the requirements of ANSI/UL 231, **including 746C polymeric materials, and that the unit will pass the 94VO-5V flame test.**
- C. Shall be certified to meet all sections of NFPA 303 DTD "2006 Marinas and Boatyards."
- D. Shall meet 406.8 (B)(2)(a) of the national electric code NFPA 70, i.e. "A receptacle installed in a wet location shall be installed in a weatherproof enclosure, the integrity of which is not affected when the attachment plug cap is inserted."

Part II. Products:

2.1 Acceptable Manufacturers - Power Pedestal / Distribution Equipment:

- A. Eaton - Marina Power and Lighting
149 Warwick Court, Williamsburg, VA 23185
Toll Free: 1-800-723-8009

2.2 Power Pedestal - General Specification

- A. Main Housing:
 - a. The housing shall be constructed of 1/4" thick injection molded heavy resin material and shall be coated with a UV-resistant water based acrylic polyester. It shall be UL listed as a type 3R weatherproof enclosure.
 - b. The base shall be hinged to the upper unit to provide ease of wiring and plumbing and shall be of heavy resin construction with mounting feet that are 3/4" in thickness.

Lighthouse Power Pedestal - Specifications

Marina Power and Lighting Equipment

B. Lighting Assembly / Housing:

- a. The lighting top housing shall be constructed of 1/8" thick injection molded heavy resin material and shall be coated with a UV-resistant water based acrylic polymer. It shall be UL listed as a type 3R weatherproof enclosure.
- b. STANDARD - Each pedestal shall be equipped with a non-metered light. The lighting assembly shall include one LED light, that is controlled by an electromechanical photocell and protected by a 20 amp, single pole breaker.
- c. OPTION - Each pedestal shall be equipped with a non-metered CFL light, that is controlled by an electromechanical photocell and protected by a 20 amp, single pole breaker. LED light shall be manufactured by Eaton - Marina Power & Energy.

C. Wiring:

- a. The power pedestal shall be completely pre-wired at the factory to the load side of the compression lug assembly.
- b. All load copper wiring shall be of high stranding and tin plated to resist corrosion.
- c. The maximum size of the line wiring shall be 350 MCM direct feed or #4/0 loop feed.

D. Loop Feed Bus Bar System:

- a. STANDARD - 250 Amp Bus Bar - The bus system shall be of stud compression terminal type using a 3/8" - silicon-bronze stud with a silicon-bronze Belleville type washer. The 3/8" - silicon-bronze hex-nut shall be torqued to 150 inch-pounds with a maximum amperage rating of 250 amps.
- b. OPTION - Single and double barrel mechanical bus bars - rated for copper or aluminum - are also available in sizes ranging from #8 to 350MCM.

E. Grounding:

- a. All exposed metallic parts must have an integral ground that is a part of the equipment grounding system.

F. Receptacles:

- a. All receptacles shall be mounted behind a lockable weatherproof, hinged door that is under tension to ensure proper closing pressure when the receptacle is or is not in use.
- b. OPTION- Receptacles may remounted behind hinged, self closing polyvinyl gasketed cover.
- c. All receptacles under 60 amps shall be of the corrosion resistant type conforming to NEMA L-5 and/or NEMA L-6 requirements and are rated for marine use.
- d. All receptacles over 60 Amp receptacles shall conform to IEC and CEE standards.
- e. 20 Amp, 110 Volt, straight blade receptacles shall be GFI protected.
- f. 20 Amp, 125 Volt, twist-lock receptacles shall be 2 pole, 3 wire (NEMA L5-20).
- g. 30 Amp, 125 Volt, twist-lock receptacles shall be 2 pole, 3 wire (NEMA L5-30).
- h. 50 Amp, 125 Volt, twist-lock receptacles shall be 2 pole, 3 wire (NEMA SS-1).
- i. 50 Amp, 125/250 Volt, twist-lock receptacles shall be 3 pole, 4 wire (NEMA SS-2).
- j. 100 Amp, 125/250 Volt, pin-and-sleeve receptacles shall be 3 pole, 4 wire.
- k. 100 Amp, 120/208 Volt, pin-and-sleeve receptacles shall be 4 pole, 5 wire.

Lighthouse Power Pedestal - Specifications

Marina Power and Lighting Equipment

- l. 100 Amp, 480 Volt, pin-and-sleeve receptacles shall be 3 pole, 4 wire.
 - m. 100 Amp, 277/480 Volt, pin-and-sleeve receptacles shall be 4 pole, 5 wire.
- G. Circuit Breakers:
- a. All breakers for receptacles shall be of the thermal magnetic type, 10,000 A.I.C., and shall be UL listed.
 - b. Circuit breakers may be located under lockable, weatherproof door cover.
 - c. Circuit breakers for the 20 Amp, 110 Volt, straight blade receptacles and the 20 Amp, 125 Volt, twist-lock receptacles shall be single pole, 20 Amp.
 - d. Circuit Breakers for the 30 Amp, 125 Volt, twist-lock receptacles shall be single pole, 30 Amp. OPTION-GFCI Breakers 30mA.
 - e. Circuit Breakers for the 50 Amp, 125 Volt, twist-lock receptacles shall be single pole, 50 Amp. OPTION-GFCI Breakers 5mA.
 - f. Circuit breakers for the 50 Amp, 125/250 Volt, twist-lock receptacles shall be two pole, 50 Amp.
 - g. Circuit breakers for the 100 Amp, 125/250 Volt, pin-and-sleeve receptacles shall be two pole, 100 Amp.
 - h. Circuit breakers for the 100 Amp, 120/208 Volt, pin-and-sleeve receptacles shall be three pole, 100 Amp.
 - i. Circuit breakers for the 100 Amp, 480 Volt, pin-and-sleeve receptacles shall be three pole, 100 Amp.
 - j. Circuit breakers for the 100 Amp, 277/480 Volt, pin-and-sleeve receptacles shall be three pole, 100 Amp.
- H. Hose/Cable Bracket:
- a. Each pedestal shall have heavy resin brackets capable of holding a 50' length of 5/8" water hose or 50' of 50 Amp, four-conductor boat S.O. cord.
- I. Metering (Optional):
- a. 120 Amp Meter - The pedestals shall be equipped with fully electronic meters that display the kilowatts used at each slip on a non-resettable digital counter that is protected from the weather. The accuracy of the meters must be certified by the manufacturer to have a 120 ampere rating and no more than a 2% error when tested in accordance with ANSI.-C12.1.(California requires 1%).
 - b. 200 Amp Meter - The pedestals shall be equipped with fully electronic meters that display the kilowatts used at each slip on a non-resettable digital counter that is protected from the weather. The accuracy of the meters must be certified by the manufacturer to have a 200 ampere rating and no more than a 2% error when tested in accordance with ANSI.-C12.1.(California requires 1%).
- J. Communications (Optional):
- a. Each pedestal may be equipped with up to four outlets for each slip. Each outlet shall contain a combination of RJ45 (internet) receptacles, RJ11 (telephone) receptacles, or male coax (cable TV) connectors under an injection-molded heavy resin, weather protective cover.

Lighthouse Power Pedestal - Specifications

Marina Power and Lighting Equipment

- b. Each communication assembly shall include an internal isolation box for the separation of high and low voltage equipment.

- K. Water:
 - a. The water connection shall be one (1) $\frac{3}{4}$ " inlet, which divides into two (2) $\frac{3}{4}$ " hose bibs. The valves shall be $\frac{1}{4}$ turn ball valves.

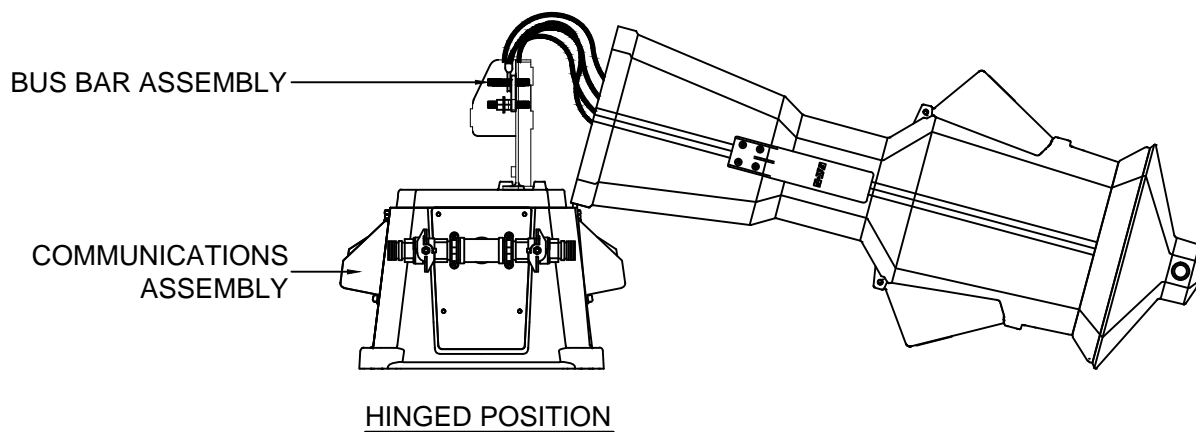
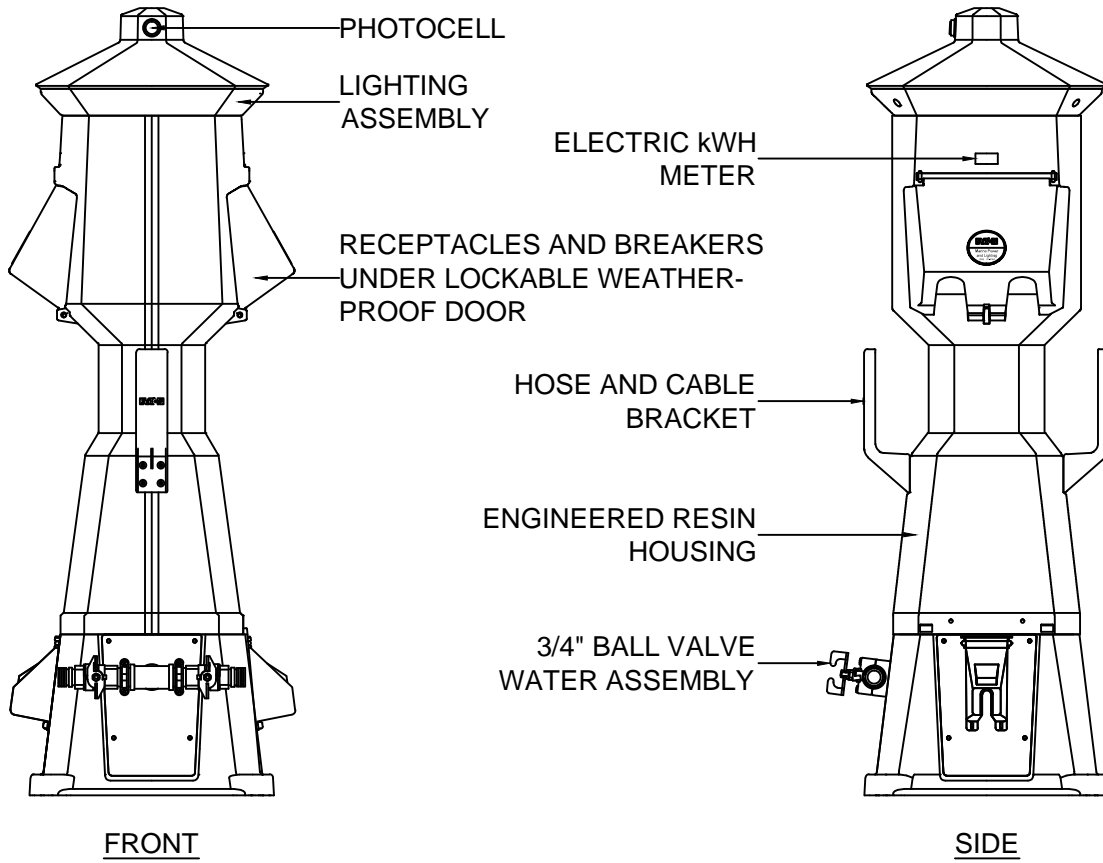
- L. Power Pedestals for A.D.A. Slips (Designated as Handicap Accessible) :
 - a. Power pedestals installed on designated handicap accessible slips shall comply with the guidelines of the Americans With Disabilities Act of 1990.

(END OF SECTION)

Lighthouse Power Pedestal - Specifications

Marina Power and Lighting Equipment

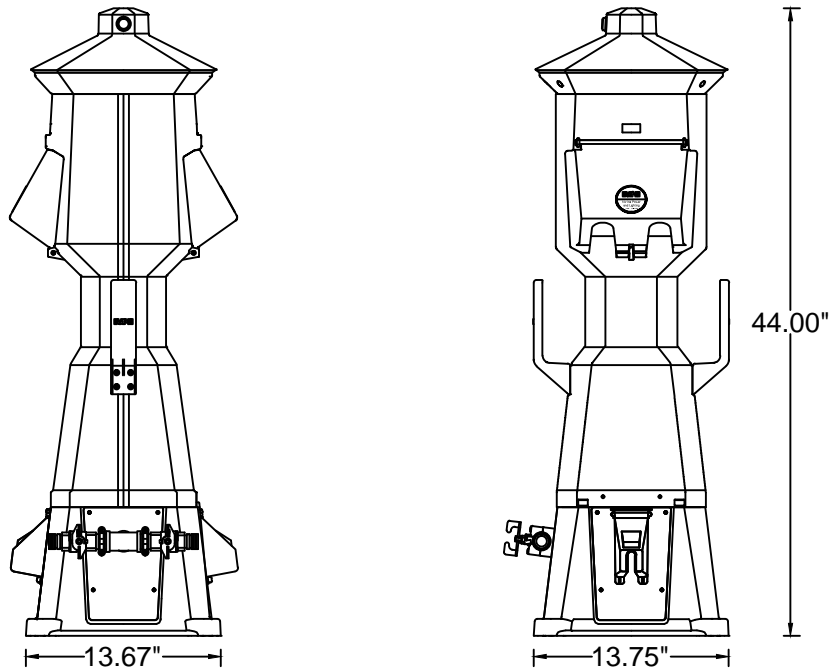
Product Features



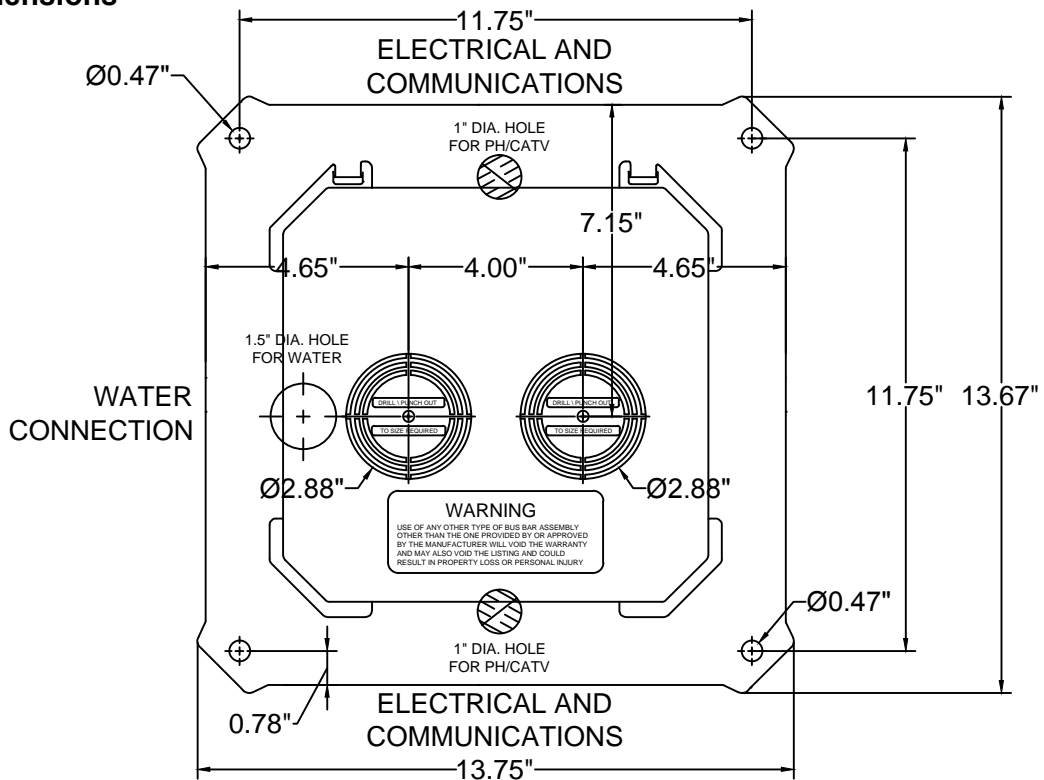
Lighthouse Power Pedestal - Specifications

Marina Power and Lighting Equipment

Dimensions



Base Dimensions



Lighthouse Power Pedestal - Specifications

Marina Power and Lighting Equipment

Wiring Diagram - Stud Lug Bus Bar

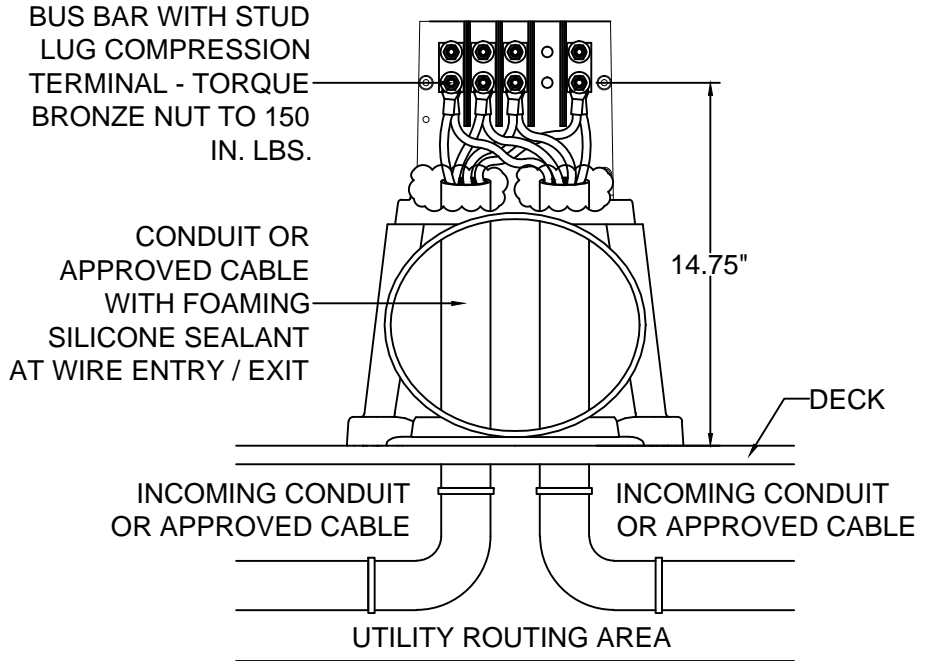
Wire Colors Per NEC

Line 1	L1	Black
Neutral	N	White
Line 2	L2	Red
Line 3	L3	Blue
Ground	G	Green



Compression Terminals (Not Included)

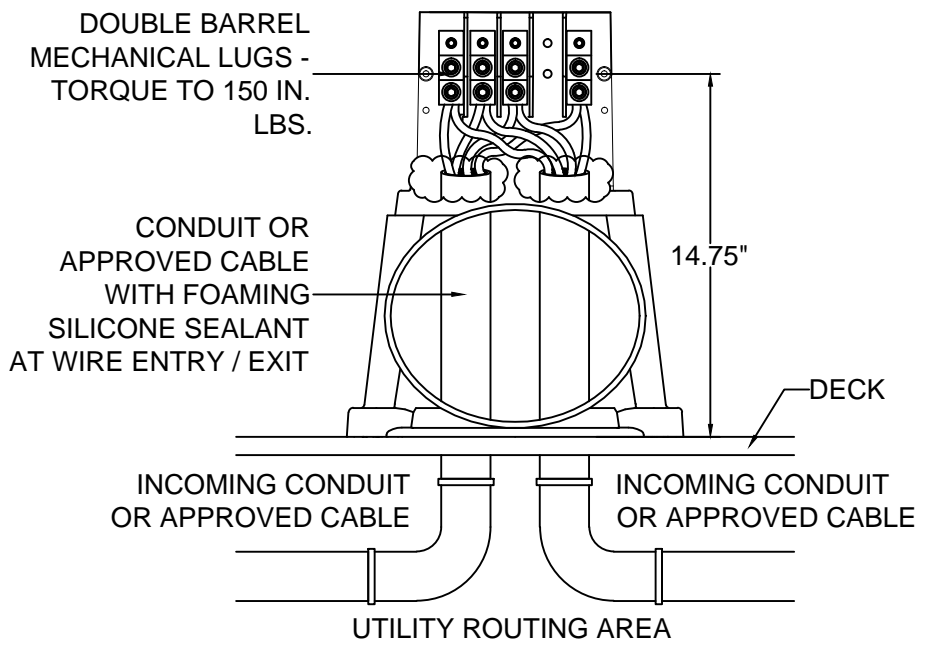
Contractor needs to terminals to line wires and place on provided stud lug connector. Max width of compression lug pad to be X.



Wiring Diagram - Aluminum Mechanical Bus Bar

Wire Colors Per NEC

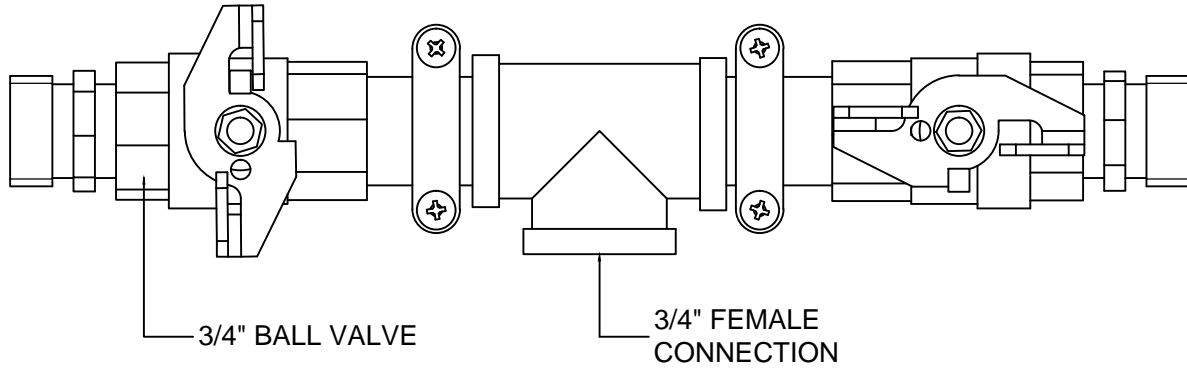
Line 1	L1	Black
Neutral	N	White
Line 2	L2	Red
Line 3	L3	Blue
Ground	G	Green



Lighthouse Power Pedestal - Specifications

Marina Power and Lighting Equipment

Water Assembly



Communications

COMMUNICATION ASSEMBLIES INCLUDE ISOLATION BOXES FOR INTERNAL CONNECTIONS

CONNECTIONS AVAILABLE:

- MARINE TWIST-LOCK TELEPHONE
- RJ-12 CAT3 TELEPHONE JACK (HOUSEHOLD PHONE)
- RJ-45 CAT5 HIGH-SPEED INTERNET JACK
- COAX CABLE TV FCF FEMALE CONNECTION
- OTHER CONNECTIONS AVAILABLE UPON REQUEST

