

# Newport Harbor Mate Utility Center Specifications

Marina Power and Lighting Equipment



Newport Harbor Mate

Newport Harbor Mate Utility Center Diagram

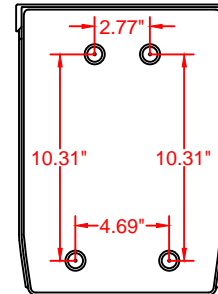


## Dimensions

Height: 14.50" (368.30 mm)  
Width: 10.50" (266.70 mm)  
Depth: 10.40" (264.16 mm)

Approximate  
Weight: 11 lbs. (5.0 kg)

UL FILE # E133781



BACK VIEW  
FOR WALL MOUNTING

## Eaton Corp. - Marina Power and Lighting, Inc. General Specifications for Newport Harbor Mate Utility Center

All Power Pedestals Must Meet the Following:

### Part I. General:

#### 1.1 General Requirements:

- A. Shall be tested and certified to be in compliance with ANSI/UL 231 entitled "power outlets."
- B. If a laboratory other than U.L. is used that laboratory must certify, in writing, that the power outlet has been tested and meets all of the requirements of ANSI/UL 231, **including 746C polymeric materials, and that the unit will pass the 94VO-5V flame test.**
- C. Shall be certified to meet all sections of NFPA 303 DTD "2011 Marinas and Boatyards."
- D. Shall meet 406.8 (B)(2)(a) of the national electric code NFPA 70, i.e. "A receptacle installed in a wet location shall be installed in a weatherproof enclosure, the integrity of which is not affected when the attachment plug cap is inserted."

### Part II. Products:

#### 2.1 Acceptable Manufacturers - Power Pedestal / Distribution Equipment:

- A. Eaton - Marina Power and Lighting  
149 Warwick Court, Williamsburg, VA 23185  
Toll Free: 1-800-723-8009

#### 2.2 Power Pedestal - General Specification

- A. Main Housing:
  - a. The housing shall be constructed of 1/8" thick injection molded heavy resin material and shall be coated with a UV-resistant water based acrylic polymer. It shall be UL listed as a type 3R weatherproof enclosure.

# Newport Harbor Mate Utility Center Specifications

## Marina Power and Lighting Equipment

---

### B. Lighting Assembly / Housing:

- a. STANDARD - Each pedestal shall be equipped with a non-metered CFL light, that is controlled by an electromechanical photocell and protected by a 20 amp, single pole breaker.
- b. OPTION - Each pedestal shall be equipped with non-metered light. The light shall be a LED, that is controlled by an electromechanical photocell and protected by a 20 amp, single pole breaker.

### C. Wiring:

- a. The power pedestal shall be completely pre-wired at the factory to the load side of the compression lug assembly.
- b. All load copper wiring shall be of high stranding and tin plated to resist corrosion.
- c. The maximum size of the line wiring shall be # 2/0 AWG direct feed or #1 loop feed without stainless steel stand.

### D. Loop Feed Bus Bar System:

- a. STANDARD - 140 Amp Bus Bar - The bus system shall be a 1/4" - silicon-bronze stud with a silicon-bronze Belleville type washer. The 1/4" - silicon-bronze hex-nut shall be torqued to 75 inch-pounds with a maximum amperage of 140 amps.
- b. OPTION - Single and double barrel mechanical buss bars - rated for copper or aluminum - are also available in sizes ranging from #8 to #2/0 AWG.

### E. Grounding:

- a. All exposed metallic parts must have an integral ground that is a part of the equipment grounding system.

### F. Receptacles:

- a. Receptacles shall be mounted behind a lockable weatherproof, hinged door that is under tension to ensure proper closing pressure when the receptacle is or is not in use.
- b. All receptacles shall be mounted at least 24" above the dock.
- c. All receptacles under 60 amps shall be of the corrosion resistant type conforming to NEMA L-5 and/or NEMA L-6 requirements and are rated for marine use.
- d. 20 Amp, 110 Volt, straight blade receptacles shall be GFI protected.
- e. 20 Amp, 125 Volt, twist-lock receptacles shall be 2 pole, 3 wire (NEMA L5-20).
- f. 30 Amp, 125 Volt, twist-lock receptacles shall be 2 pole, 3 wire (NEMA L5-30).
- g. 50 Amp, 125 Volt, twist-lock receptacles shall be 2 pole, 3 wire (NEMA SS-1).
- h. 50 Amp, 125/250 Volt, twist-lock receptacles shall be 3 pole, 4 wire (NEMA SS-2).

# Newport Harbor Mate Utility Center Specifications

## Marina Power and Lighting Equipment

---

### G. Circuit Breakers:

- a. All breakers for receptacles shall be of the thermal magnetic type, 10,000 A.I.C., and shall be UL listed.
- b. Circuit breakers may be located under lockable, weatherproof door cover.
- c. Circuit breakers for the 20 Amp, 110 Volt, straight blade receptacles and the 20 Amp, 125 Volt, twist-lock receptacles shall be single pole, 20 Amp.
- d. Circuit Breakers for the 30 Amp, 125 Volt, twist-lock receptacles shall be single pole, 30 Amp. OPTION-GFCI Breakers 30mA.
- e. Circuit Breakers for the 50 Amp, 125 Volt, twist-lock receptacles shall be single pole, 50 Amp. OPTION-GFCI Breakers 5mA.
- f. Circuit breakers for the 50 Amp, 125/250 Volt, twist-lock receptacles shall be two pole, 50 Amp.

### H. Metering (Optional):

- a. 120 Amp Meter - The pedestals shall be equipped with fully electronic meters that display the kilowatts used at each slip on a non-resettable digital counter that is protected from the weather. The accuracy of the meters must be certified by the manufacturer to have a 120 ampere rating and no more than a 2% error when tested in accordance with ANSI.-C12.1.(California requires 1%).

### I. Communications (Optional):

- a. Each pedestal may be equipped with up to four outlets for each slip. Each outlet shall contain a combination of RJ45 (internet) receptacles, RJ11 (telephone) receptacles, or male coax (cable TV) connectors under an injection-molded heavy resin, weather protective cover.
- b. Each communication assembly shall include an internal isolation box for the separation of high and low voltage equipment.

### J. Power Pedestals for A.D.A. Slips (Designated as Handicap Accessible) :

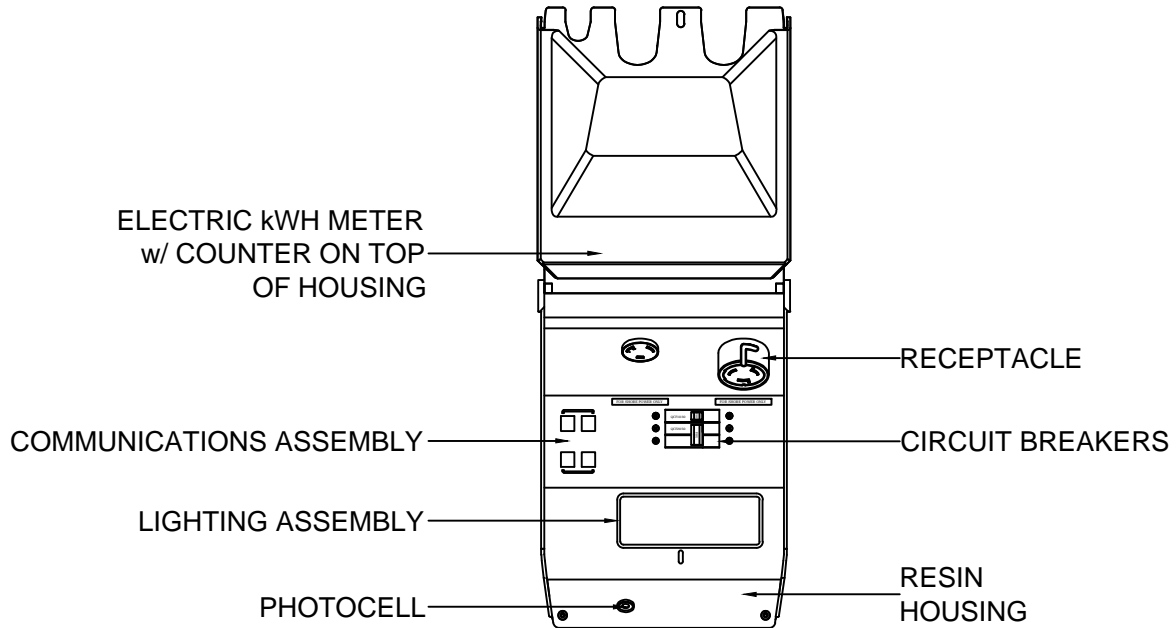
- a. Power pedestals installed on designated handicap accessible slips shall comply with the guidelines of the Americans With Disabilities Act of 1990.

(END OF SECTION)

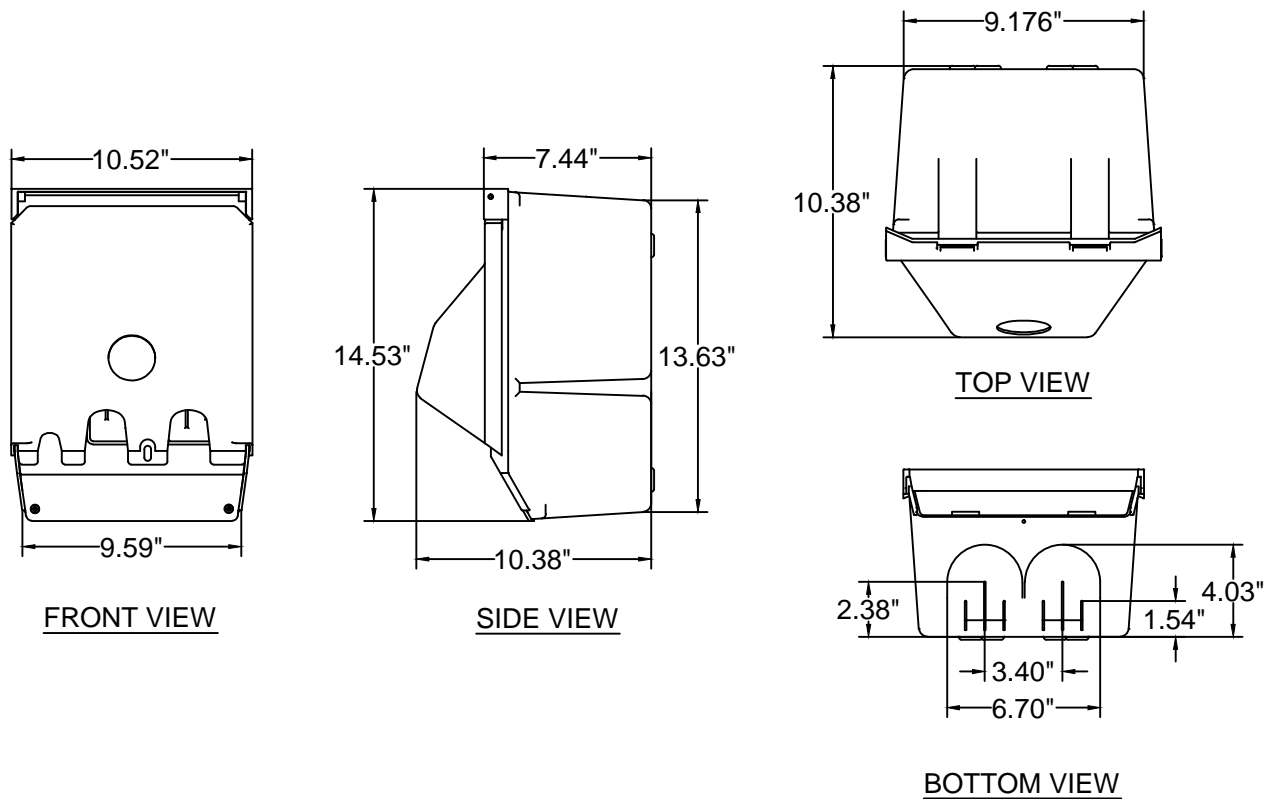
# Newport Harbor Mate Utility Center Specifications

Marina Power and Lighting Equipment

## Product Features



## Dimensions



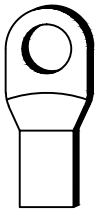
# Newport Harbor Mate Utility Center Specifications

Marina Power and Lighting Equipment

## Wiring Diagram - Stud Lug Bus Bar

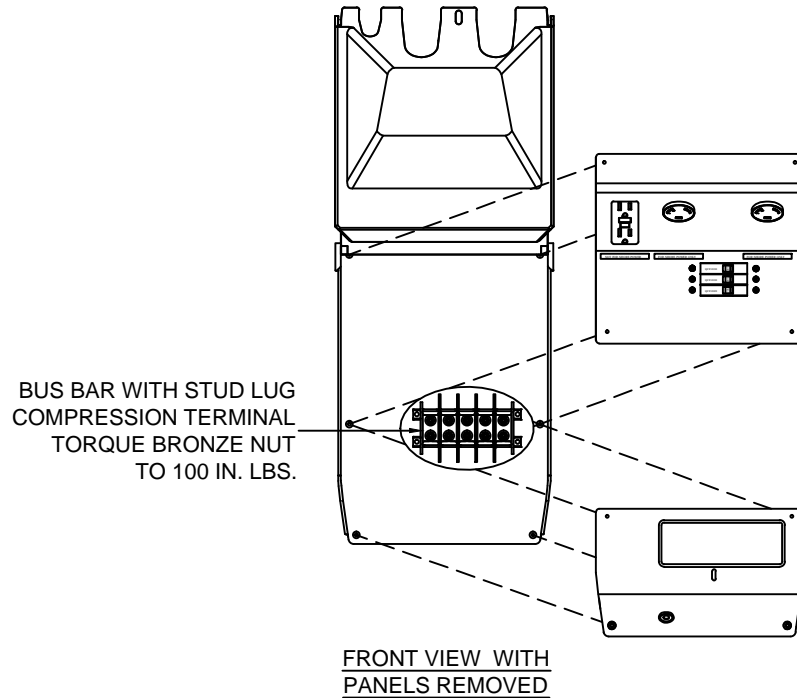
### Wire Colors Per NEC

Line 1	L1	Black
Neutral	N	White
Line 2	L2	Red
Line 3	L3	Blue
Ground	G	Green



### Compression Terminals (Not Included)

Contractor needs to terminals to line wires and place on provided stud lug connector.



## Communications

COMMUNICATION ASSEMBLIES INCLUDE ISOLATION BOXES FOR INTERNAL CONNECTIONS

### CONNECTIONS AVAILABLE:

- MARINE TWIST-LOCK TELEPHONE
- RJ-12 CAT3 TELEPHONE JACK (HOUSEHOLD PHONE)
- RJ-45 CAT5 HIGH-SPEED INTERNET JACK
- COAX CABLE TV FCF FEMALE CONNECTION
- OTHER CONNECTIONS AVAILABLE UPON REQUEST

