

5A split core current transformers

Low current ranges

- 100 to 400A

Description

Split core AC current sensors have different hole sizes and current ratings to suit any application. Split core models are perfect for retrofits. Output is fixed at the industry standard of 0 to 5A.

Applications

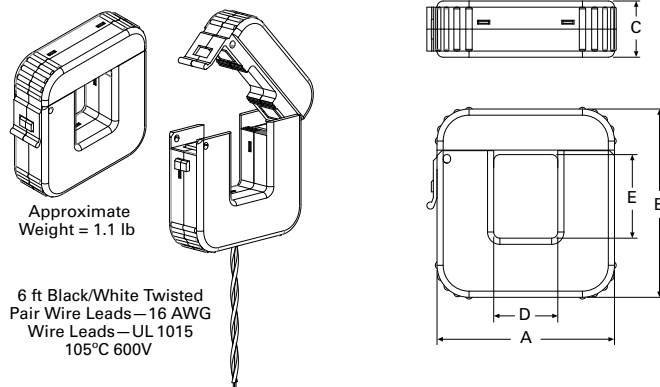
- Data logging
- Recording
- Power monitoring
- Energy management
- Alternative energy monitoring
- Cost allocation

Features

- High accuracy at 10–130% of rated current
- 0 to 5A standard output: compatible with existing systems
- Swing open for ease of installation (**CT-SP-4**)
- Double secured latches per side and keying holes (**CT-SP-5** and **CT-SP-6**)
- Rigid housing case with UL® 94V-0 durable plastic
- ETL recognized

Specifications

Item	Specification
Inputs	
Frequency range	40–400 Hz
Accuracy Range	
	10–130% of rated current
Outputs	
Output at rated current	5A
Environmental	
Operating temperature range	–10°C to +60°C (+14°F to +140°F)
Storage temperature range	–20°C to +85°C (+4°F to +185°F)
Lead Length	
	6 ft black/white twisted pair wire leads—16 AWG
Certifications	
	ETL, RoHS
Specifications	
	IEEE® C57.13, IEC 60044-1, C12.20 Standards



Split Core CT-SP-4 Approximate Dimensions in Inches (mm)

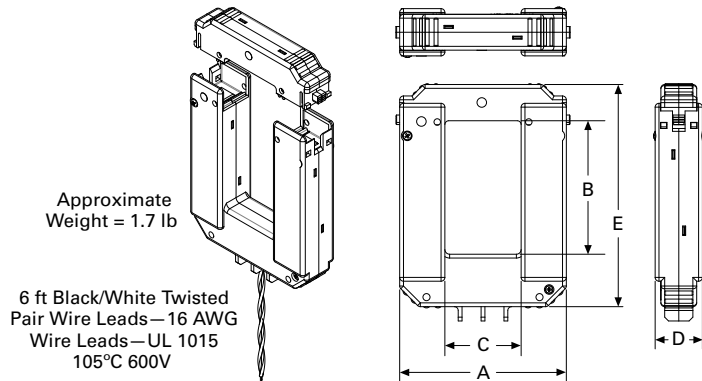
Model Number	Description	A	B	C	D	E	Burden VA ±0.5% Class
CT-SP-4-100-5A	Split core, CT 100/5A, 1.0% accuracy, 1.30 in x 1.70 in	3.60 (91.4)	3.82 (97.0)	1.14 (29.0)	1.30 (33.0)	1.70 (43.2)	1.5 (1.0 Class)
CT-SP-4-200-5A	Split core, CT 200/5A, 0.5% accuracy, 1.30 in x 1.70 in	3.60 (91.4)	3.82 (97.0)	1.14 (29.0)	1.30 (33.0)	1.70 (43.2)	2.1
CT-SP-4-300-5A	Split core, CT 300/5A, 0.5% accuracy, 1.30 in x 1.70 in	3.60 (91.4)	3.82 (97.0)	1.14 (29.0)	1.30 (33.0)	1.70 (43.2)	2.4
CT-SP-4-400-5A	Split core, CT 400/5A, 0.5% accuracy, 1.30 in x 1.70 in	3.60 (91.4)	3.82 (97.0)	1.14 (29.0)	1.30 (33.0)	1.70 (43.2)	2.8



Powering Business Worldwide

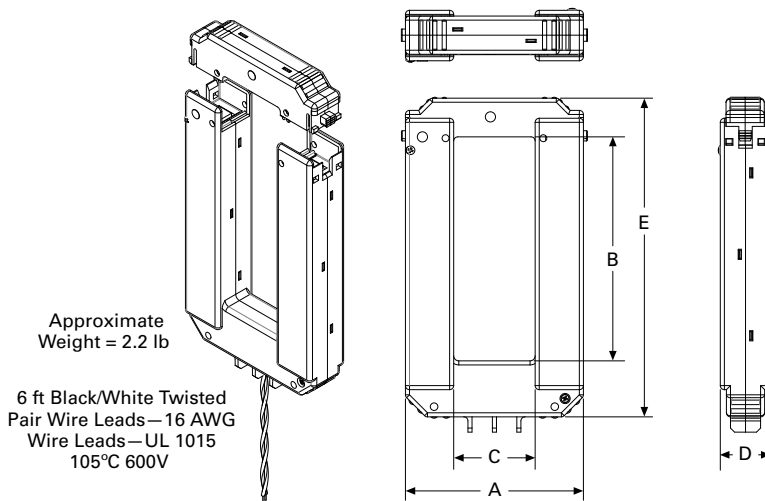
High current ranges

- 400 to 2000A



Split Core CT-SP-5 Approximate Dimensions in Inches (mm)

Model Number	Description	A	B	C	D	E	Burden VA ±0.5% Class
CT-SP-5-200-5A	Split core, CT 200/5A, 1.0% accuracy, 2.00 in x 3.50 in	4.37 (111.0)	3.50 (88.9)	2.00 (50.8)	1.24 (31.5)	5.83 (148.1)	2.25 (1.0 Class)
CT-SP-5-400-5A	Split core, CT 400/5A, 0.6% accuracy, 2.00 in x 3.50 in	4.37 (111.0)	3.50 (88.9)	2.00 (50.8)	1.24 (31.5)	5.83 (148.1)	2.25 (0.6 Class)
CT-SP-5-600-5A	Split core, CT 600/5A, 0.5% accuracy, 2.00 in x 3.50 in	4.37 (111.0)	3.50 (88.9)	2.00 (50.8)	1.24 (31.5)	5.83 (148.1)	2.75
CT-SP-5-800-5A	Split core, CT 800/5A, 0.5% accuracy, 2.00 in x 3.50 in	4.37 (111.0)	3.50 (88.9)	2.00 (50.8)	1.24 (31.5)	5.83 (148.1)	3.75
CT-SP-5-1000-5A	Split core, CT 1000/5A, 0.5% accuracy, 2.00 in x 3.50 in	4.37 (111.0)	3.50 (88.9)	2.00 (50.8)	1.24 (31.5)	5.83 (148.1)	4.50



Split Core CT-SP-6 Approximate Dimensions in Inches (mm)

Model Number	Description	A	B	C	D	E	Burden VA ±0.5% Class
CT-SP-6-400-5A	Split core, CT 400/5A, 1.0% accuracy, 2.00 in x 5.50 in	4.37 (111.0)	5.50 (139.7)	2.00 (50.8)	1.24 (31.5)	7.83 (198.9)	2.75 (1.0 Class)
CT-SP-6-600-5A	Split core, CT 600/5A, 0.7% accuracy, 2.00 in x 5.50 in	4.37 (111.0)	5.50 (139.7)	2.00 (50.8)	1.24 (31.5)	7.83 (198.9)	2.75 (0.7 Class)
CT-SP-6-800-5A	Split core, CT 800/5A, 0.6% accuracy, 2.00 in x 5.50 in	4.37 (111.0)	5.50 (139.7)	2.00 (50.8)	1.24 (31.5)	7.83 (198.9)	4.00 (0.6 Class)
CT-SP-6-1000-5A	Split core, CT 1000/5A, 0.5% accuracy, 2.00 in x 5.50 in	4.37 (111.0)	5.50 (139.7)	2.00 (50.8)	1.24 (31.5)	7.83 (198.9)	5.25
CT-SP-6-1200-5A	Split core, CT 1200/5A, 0.5% accuracy, 2.00 in x 5.50 in	4.37 (111.0)	5.50 (139.7)	2.00 (50.8)	1.24 (31.5)	7.83 (198.9)	5.25
CT-SP-6-1600-5A	Split core, CT 1600/5A, 0.5% accuracy, 2.00 in x 5.50 in	4.37 (111.0)	5.50 (139.7)	2.00 (50.8)	1.24 (31.5)	7.83 (198.9)	6.25
CT-SP-6-2000-5A	Split core, CT 2000/5A, 0.5% accuracy, 2.00 in x 5.50 in	4.37 (111.0)	5.50 (139.7)	2.00 (50.8)	1.24 (31.5)	7.83 (198.9)	8.00

Eaton
 1000 Eaton Boulevard
 Cleveland, OH 44122
 United States
 Eaton.com

© 2014 Eaton
 All Rights Reserved
 Printed in USA
 Publication No. TD049001EN / Z14845
 March 2014



Eaton is a registered trademark.

All other trademarks are property of their respective owners.