


Instructions for Installation of a 5 Amp Current Sensor

	⚠ DANGER
	HAZARDOUS VOLTAGE. WILL CAUSE SEVERE INJURY OR DEATH. TURN OFF POWER SUPPLYING THIS EQUIPMENT BEFORE WORKING INSIDE.
	⚠ DANGER
	TENSION DANGEROUSE. PEUT CAUSER DES BLESSURES GRAVES OU LA MORT. COUPER L'ALIMENTATION ÉQUIPMENT AVANT D'Y EFFECTUER DES TRAVAUX.
	⚠ PELIGRO
	VOLTAGE PELIGROSO. CAUSA HERIDAS SEVERAS O MUERTE. INTERRUPTA EL SUMINISTRO DE ENERGIA QUE ALIMENTA ESTE EQUIPO ANTES DE TRABAJAR EN EL INTERIOR DEL MISMO.

Por favor lea estas instrucciones en su totalidad antes de instalar o mover el aparato. Una instalacion inapropiada puede ser peligrosa para el personal y/o el equipo.

Installation Instructions

CS005 Current Sensor is for use in the installation with existing 5 A Secondary Current Transformer. Connect the wire from polarity side of 5 A Secondary Current Transformer to H1(+) terminal of the CS005 Current Sensor and connect the wire from non-polarity side of the 5 A Current Transformer to H2(-) terminal of the CS005 Current Sensor. We recommend using a shorting block between 5 A Secondary Current Transformers and CS005 Current Sensors.

The Current Sensors plug into the current sensor Inputs 1 through 16 on the IQ Multipoint Energy Submeter II or A1, B1, C1, A2, B2, or C2 on PXMP Meter Module. Plug locations are clearly marked. The plugs are keyed, so they cannot be plugged incorrectly. Refer to the installation instruction leaflet included with the IQ Multipoint Energy Submeter II or PXMP Meter and to an installation schematic for the configuration of the inputs.

In some applications, a PXMP-SC-XOVER Crossover Cable is required when using the CS005 in order to measure watts with the proper polarity. Refer to Page 2 for detailed information.

Please read these instructions completely before installing or removing device. Improper installation could be hazardous to personnel and/or equipment.

Veillez lire les presentes directives au complet avant d'installer ou de retirer le dispositif. Une mauvaise installation pourrait causer des blessures au personnel et/au endommager l'équipement.

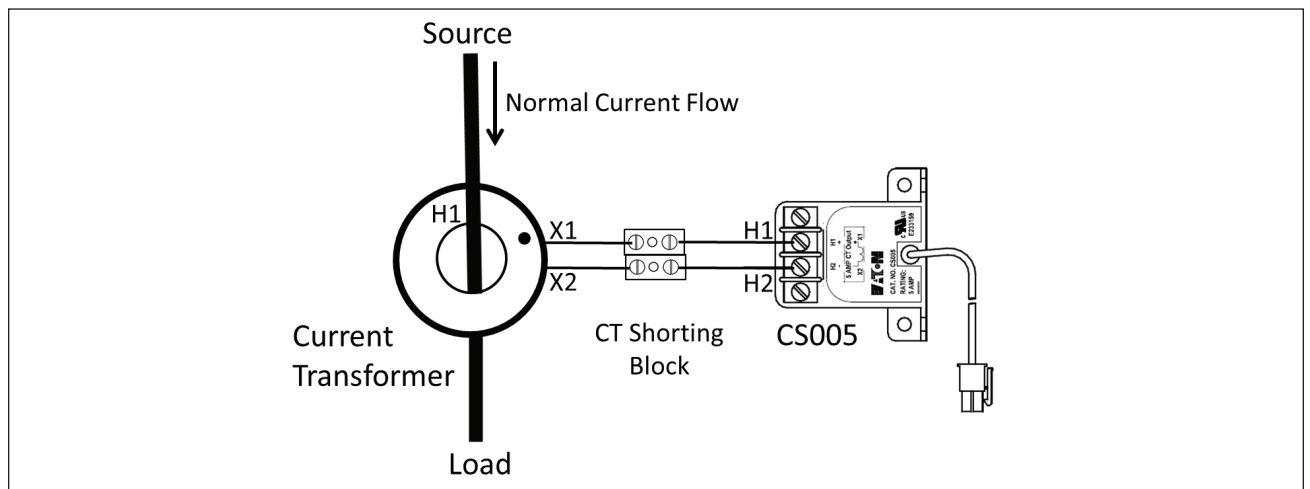


Figure 1. CS005 to 5 A CT Connection Diagram for PXMP Metering Applications.

EATON

Powering Business Worldwide

CS005 to 5A CT Connection Diagrams**

PXMP: See Figures 2 and 3.

IQMESII: See Figures 4 and 5.

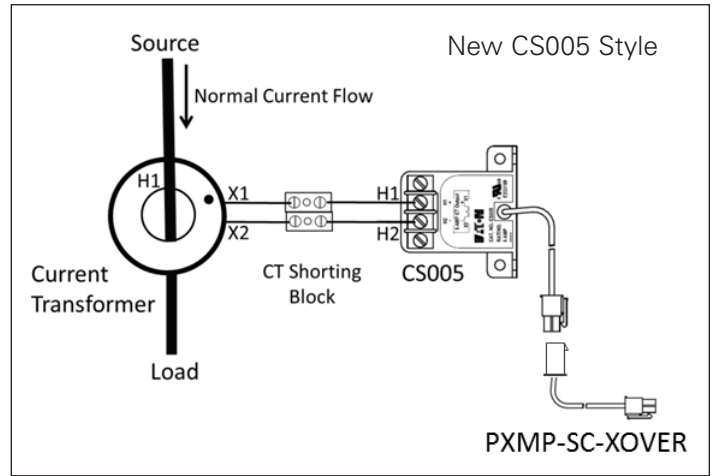
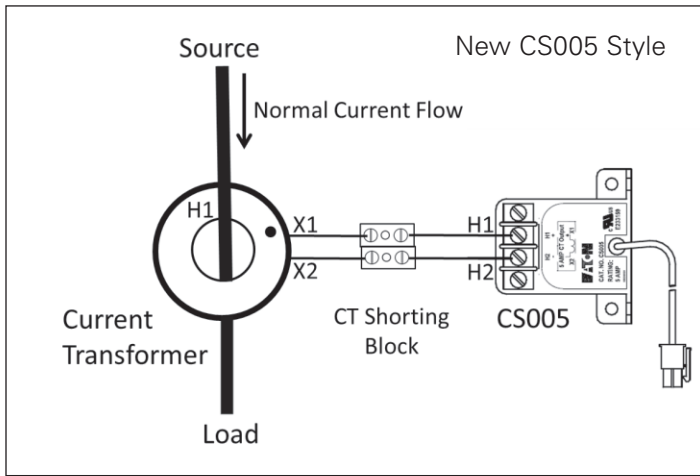


Figure 2. CS005 with H1/H2 Terminal Markings for PXMP Applications.

Figure 4. CS005 with H1/H2 Terminal Markings for IQMESII Applications Requires PXMP-SC-XOVER-3 Sensor Cable Crossover Kit (Kit Includes Three Crossover Cables).

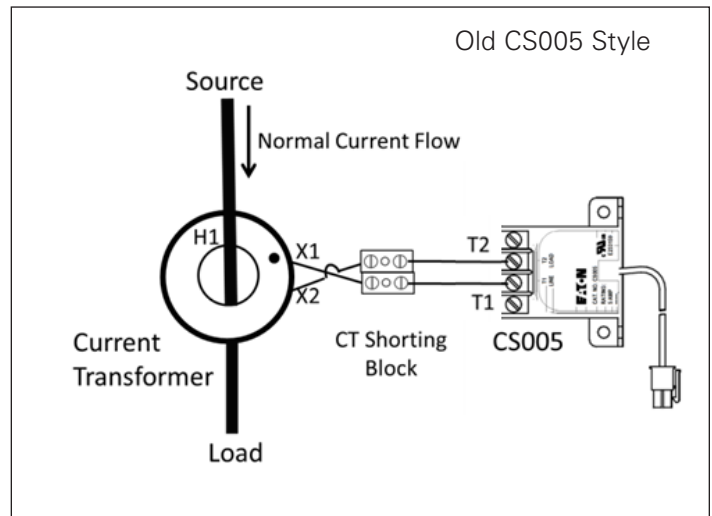
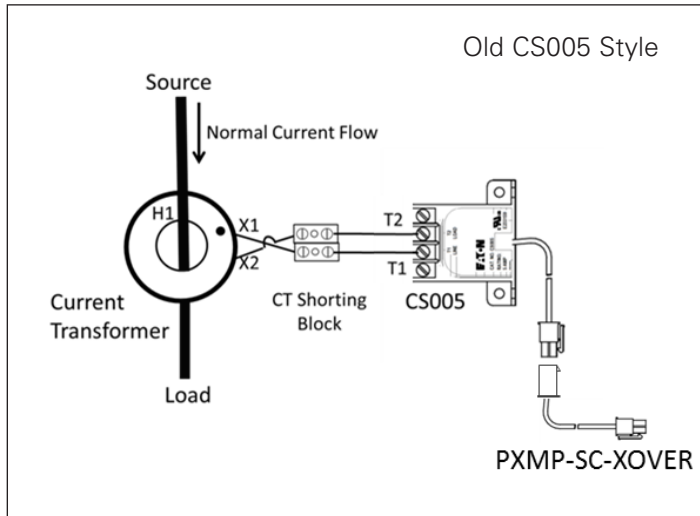


Figure 3. CS005 with T1/T2 Terminal Markings for PXMP Applications Requires PXMP-SC-XOVER-3 Sensor Cable Crossover Kit (Kit Includes Three Crossover Cables).

Figure 5. CS005 with T1/T2 Terminal Markings for IQMESII Applications.

** Applications illustrated in Figures 3 and 4 require the use of a PXMP-SC-XOVER Crossover Cable with CS005 for proper polarity.

Eaton
 Electrical Sector
 1000 Eaton Boulevard
 Cleveland, OH 44122
 United States
 877-ETN-CARE (877-386-2273)
 Eaton.com

© 2015 Eaton
 All Rights Reserved
 Printed in USA
 Publication No. IL02601003E Rev D / TBG00871
 Part No. 66A2156H05
 May 2015



Eaton is a registered trademark.

All other trademarks are property of their respective owners.