

# 600 A 15 and 25 kV class deadbreak PUSH-OP™ apparatus bushing



## General

Eaton's Cooper Power™ series 600 A 15 and 25 kV Class deadbreak PUSH-OP™ apparatus bushing meets the full requirements of IEEE Std 386™-2016 standard, separable insulated connector systems (except for apparatus-terminator connection dimensions). All 600 A PUSH-OP type connectors will operate with this bushing.

The epoxy bushings are designed for sidewall mounting in transformers, switches and other apparatus filled with transformer oil, Envirotemp™ FR3™ fluid or an approved equivalent.

## Installation

No special tools are required. The bushing is mounted through the apparatus sidewall and clamped externally with a special bracket assembly. Refer to *Service Information MN800009EN 600 A 15, 25, and 35 kV Class Deadbreak PUSH-OP Apparatus Bushing Installation Instructions* for details.

## PRODUCTION TESTS

Test are conducted in accordance with IEEE Std 386™-2016 standard.

- ac 60 Hz 1 Minute Withstand
  - 45 kV
- Minimum Corona Voltage Level
  - 21.5 kV

Tests are conducted in accordance with Eaton's requirements.

- Periodic Helium Leak Test
- Periodic 125kV Impulse Withstand

### Features and detailed description

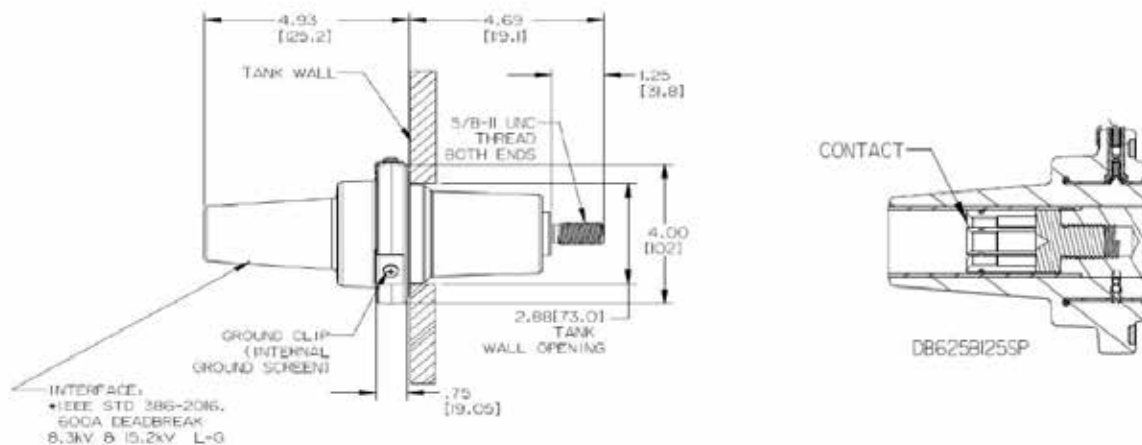


Figure 1. 600 A 15 and 25 kV Class deadbreak PUSH-OP apparatus bushing.

Table 1. Voltage Ratings and Characteristics

Description	kV
Standard Voltage Class	25
Maximum Rating Phase-to-Ground	16.2
ac 60 Hz 1 Minute Withstand	45
dc 15 Minute Withstand	78
BIL and Full Wave Crest	125
Minimum Corona Voltage Level	21.5

Voltage ratings and characteristics are in accordance with IEEE Std 386™-2016 standard.

Table 2. Current Ratings and Characteristics

Description	Amperes
Continuous	600 A rms
Short Time	25,000 A rms symmetrical for 0.17 s 10,000 A rms symmetrical for 3.0 s

Current ratings and characteristics are in accordance with IEEE Std 386™-2016 standard.

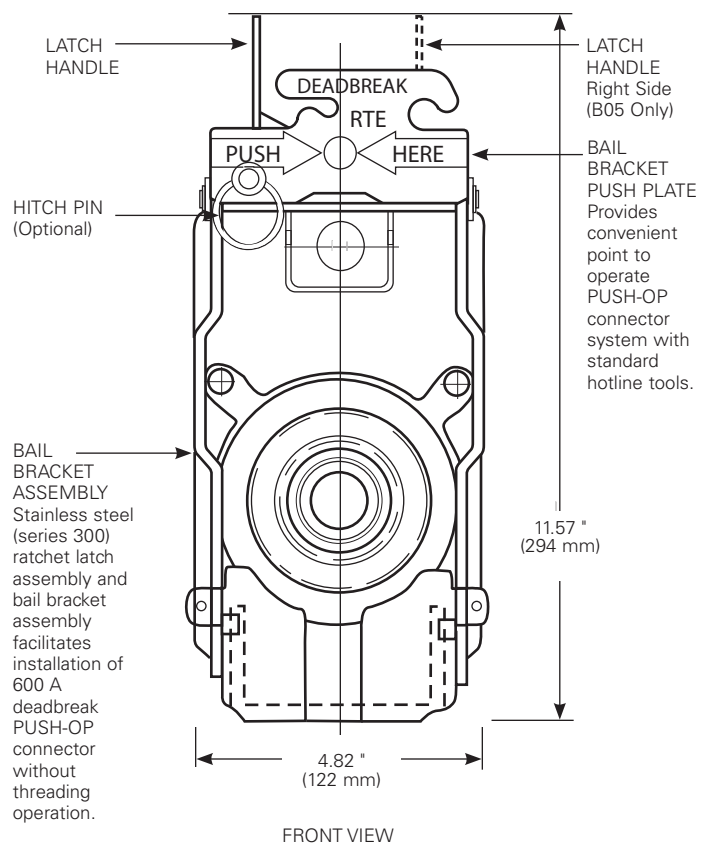


Figure 2. Bail bracket assembly.

Note: Dimensions given are for reference only.

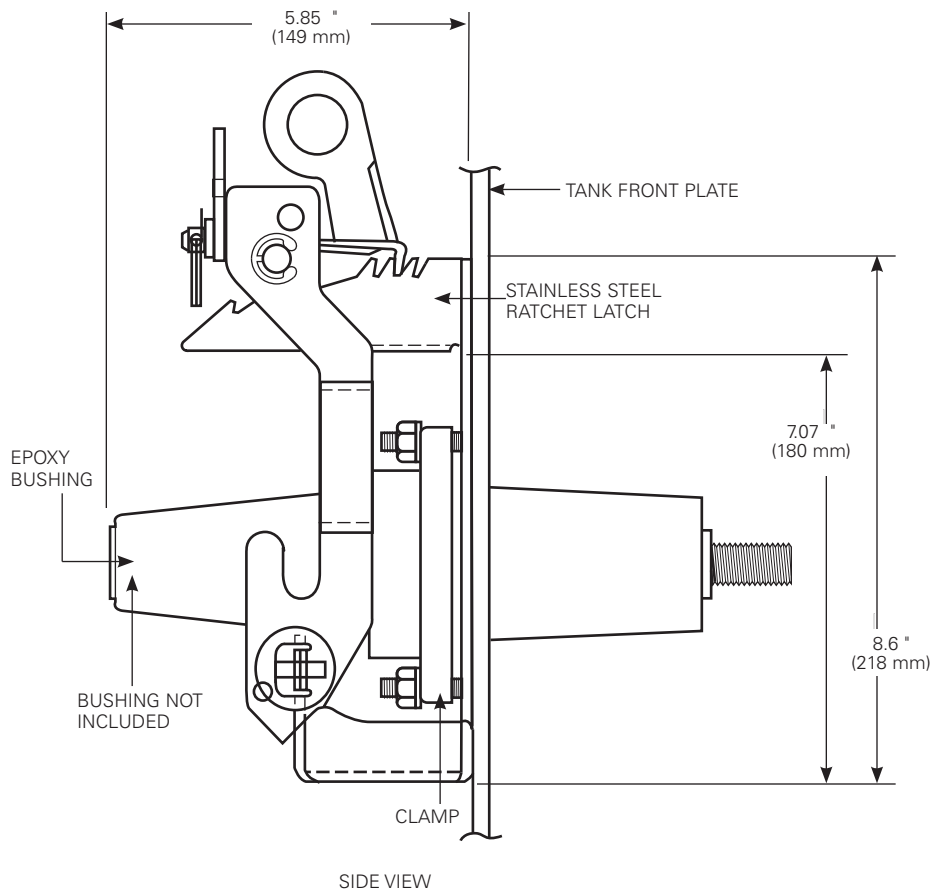


Figure 3. Bail Bracket Assembly with Bushing Installed.

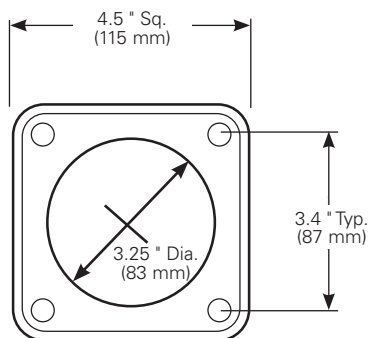


Figure 4. Clamp.

Note: Dimensions given are for reference only.

### Ordering information

To order a 600 A 15 and 25 kV Class deadbreak PUSH-OP apparatus bushing, specify bushing, bushing bail bracket assembly, clamp and gasket from Table 3.

Table 3. Bushing, Clamp and Gasket

Description	Catalog Number
15 and 25 kV Bushing	DB625B125SP
Bail Bracket Assembly with Hitch Pin	2638772B03M
Bail Bracket Assembly with Hitch Pin (Latch Handle Right)	2638772B05M
Clamp	2637023B01
Gasket	2639198B01

**Eaton**  
1000 Eaton Boulevard  
Cleveland, OH 44122  
United States  
Eaton.com

**Eaton's Power Systems Division**  
2300 Badger Drive  
Waukesha, WI 53188  
United States  
Eaton.com/cooperpowerseries.com

© 2020 Eaton  
All Rights Reserved  
Printed in USA  
Publication No. CA800022EN  
July 2020

Eaton is a registered trademark.  
All other trademarks are property  
of their respective owners.

For Eaton's Cooper Power series PUSH-OP  
apparatus bushing product information  
call 1-877-277-4636 or visit:  
[www.eaton.com/cooperpowerseries](http://www.eaton.com/cooperpowerseries).