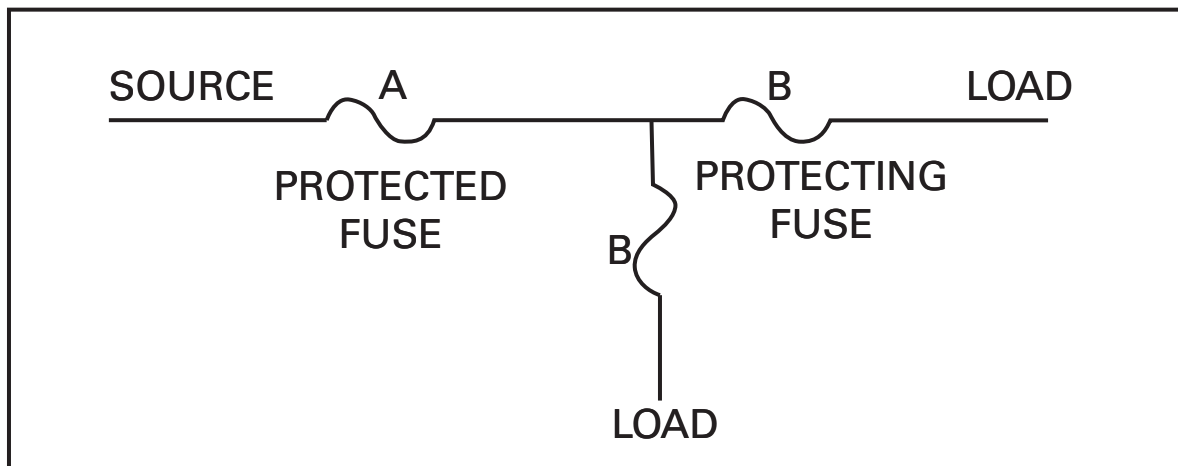


ELF™ Current-limiting dropout fuse coordination tables with protected fuse links



One important criteria in selecting a fuse is that it must coordinate well with upline devices. For two fuses in series, the downline fuse is called the protecting fuse while the upline fuse is called the protected fuse as shown above. The downline fuse is protecting the upline fuse by operating for overcurrent conditions which are downline of the protecting fuse. This keeps the upline fuse intact which minimizes the number of customers who experience an outage. The following tables give the maximum current levels to which the ELF fuse (as the protecting fuse) will coordinate with the Cooper Power series K-, T- and S-links (as protected fuses) using a 75% margin of protection.

Table 1. Maximum fault current (A) to which protected K-link and protecting ELF fuse will coordinate

Protecting ELF fuse current rating (A)	Protected ELF fuse current rating (A)											
	15	20	25	30	40	50	65	80	100	140	200	
6	31000*	31000*	31000*	31000*	31000*	31000*	31000*	31000*	31000*	31000*	31000*	31000*
8	31000*	31000*	31000*	31000*	31000*	31000*	31000*	31000*	31000*	31000*	31000*	31000*
12	55	90	31000*	31000*	31000*	31000*	31000*	31000*	31000*	31000*	31000*	31000*
18	–	–	90	31000*	31000*	31000*	31000*	31000*	31000*	31000*	31000*	31000*
20	–	–	70	130	31000*	31000*	31000*	31000*	31000*	31000*	31000*	31000*
25	–	–	–	90	170	31000*	31000*	31000*	31000*	31000*	31000*	31000*
30	–	–	–	–	130	385	31000*	31000*	31000*	31000*	31000*	31000*
40	–	–	–	–	–	170	230	350	31000*	31000*	31000*	31000*

* 31000 A at 8.3 kV, 20000 at 15.0 kV

Table 2. Maximum fault current (A) to which protected T-link and protecting ELF Fuse will coordinate

Protecting ELF fuse current rating (A)	Protected T-link current rating (A)											
	15	20	25	30	40	50	65	80	100	140	200	
6	31000*	31000*	31000*	31000*	31000*	31000*	31000*	31000*	31000*	31000*	31000*	31000*
8	31000*	31000*	31000*	31000*	31000*	31000*	31000*	31000*	31000*	31000*	31000*	31000*
12	–	31000*	31000*	31000*	31000*	31000*	31000*	31000*	31000*	31000*	31000*	31000*
18	–	–	–	31000*	31000*	31000*	31000*	31000*	31000*	31000*	31000*	31000*
20	–	–	–	–	31000*	31000*	31000*	31000*	31000*	31000*	31000*	31000*
25	–	–	–	–	31000*	31000*	31000*	31000*	31000*	31000*	31000*	31000*
30	–	–	–	–	–	31000*	31000*	31000*	31000*	31000*	31000*	31000*
40	–	–	–	–	–	–	31000*	31000*	31000*	31000*	31000*	31000*

* 31000 A at 8.3 kV, 20000 at 15.0 kV

Table 3. Maximum fault current (A) to which protected S-link and protecting ELF Fuse will coordinate

Protecting ELF fuse current rating (A)	Protected S-link current rating (A)											
	15	20	25	30	40	50	65	80	100	140	200	
6	31000*	31000*	31000*	31000*	31000*	31000*	31000*	31000*	31000*	31000*	31000*	31000*
8	31000*	31000*	31000*	31000*	31000*	31000*	31000*	31000*	31000*	31000*	31000*	31000*
12	–	–	31000*	31000*	31000*	31000*	31000*	31000*	31000*	31000*	31000*	31000*
18	–	–	–	31000*	31000*	31000*	31000*	31000*	31000*	31000*	31000*	31000*
20	–	–	–	31000*	31000*	31000*	31000*	31000*	31000*	31000*	31000*	31000*
25	–	–	–	–	31000*	31000*	31000*	31000*	31000*	31000*	31000*	31000*
30	–	–	–	–	–	31000*	31000*	31000*	31000*	31000*	31000*	31000*
40	–	–	–	–	–	–	31000*	31000*	31000*	31000*	31000*	31000*

* 31000 A at 8.3 kV, 20000 at 15.0 kV

Intentionally left blank

Eaton
1000 Eaton Boulevard
Cleveland, OH 44122
United States
Eaton.com

Eaton's Power Systems Division
2300 Badger Drive
Waukesha, WI 53188
United States
Eaton.com/cooperpowerseries

© 2020 Eaton
All Rights Reserved
Printed in USA
Publication No. TD132024EN / GG
October 2020

Eaton is a registered trademark.

All trademarks are property
of their respective owners.

For Eaton's Cooper Power series product
information call 1-877-277-4636 or visit:
www.eaton.com/cooperpowerseries.