

# Xiria Product Family

## Technical information

### General

Rated voltage	kV	3.6	7.2	12	17.5	24
Lightning impulse withstand voltage	kV	40	60	75/95	95	125
Power frequency withstand voltage	kV	10	20	28	38	50
Rated frequency	Hz	50/60	50/60	50/60	50/60	50/60
Internal arc classification (IAC)		ALFR	ALFR	ALFR	ALFR	ALFR
Internal arc resistance	kA-s	20-1	20-1	20-1	20-1	20-1

### Busbar system

Rated normal current	A	630	630	630	630	630
Rated short-time current	kA-s	20-3	20-3	20-3	20-3	20-3
Rated peak withstand current	kA	50	50	50	50	50

### Circuit-breaker

Rated normal current	A	200/300	200/300	200/300	200/300	200/300
Rated breaking current	kA	20	20	20	20	20
Rated short-circuit making current	kA	50	50	50	50	50
Rated short-circuit withstand current	kA-s	20-3	20-3	20-3	20-3	20-3

### Load break switch

Rated normal current	A	630	630	630	630	630
Rated mainly active load breaking current at cos. phi 0.7	A	630	630	630	630	630
Rated short-circuit making current	kA	50	50	50	50	50
Rated short-circuit withstand current	kA-s	20-3	20-3	20-3	20-3	20-3



Powering Business Worldwide

#### Eaton

EMEA Headquarters  
Route de la Longeraie 7  
1110 Morges, Switzerland  
Eaton.eu

© 2019 Eaton  
All Rights Reserved  
Printed in XXX  
Publication No. TD01415002EN  
November 2019

Follow us on social media to get the latest product and support information.

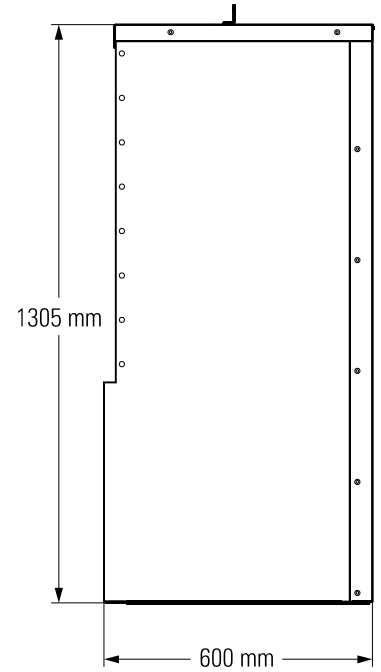
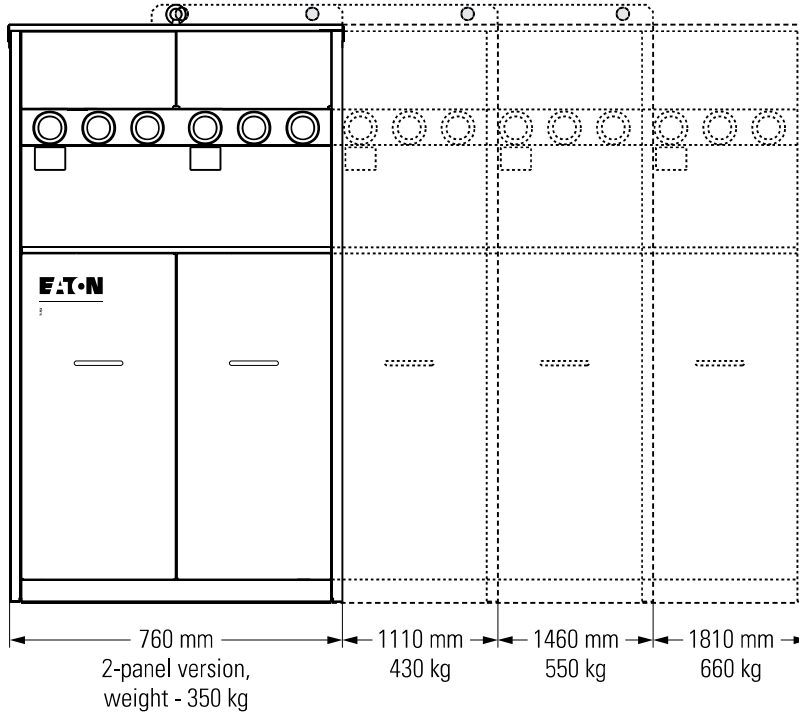


Eaton is a registered trademark.

All other trademarks are property of their respective owners.

# Xiria Product Family

## Dimensions



# Xiria Product Family

## Standards and regulations

### The Xiria system complies with the most recent IEC regulations:

IEC 62271-1	for high-voltage switchgear
IEC 62271-100	for the circuit-breakers
IEC 62271-102	for the change-over switches and earthing switches
IEC 62271-103	for the load break switches
IEC 62271-200	for metal enclosed switchgear
IEC 62271-304	for metal enclosed switchgear in severe climatic conditions
IEC 61869-1	for instrument transformers – Part 1: General requirements
IEC 61869-2	for instrument transformers – Part 2: Additional requirements for current transformers
IEC 61869-3	for instrument transformers – Part 3: Additional requirements for voltage transformers
EN 50181	for plug-in type bushings above 1 kV up to 36kV

### Eaton complies with the following standards:

ISO 9001	for quality management
ISO 14001	for environmental management
ISO 50001	for energy management