



The Eaton designed 38-0001 fuel transfer jet pump is designed to provide a tank-to-tank fuel transfer function.

Due to the action of the motive flow, fuel in the tank is drawn into the jet pump through the induced inlet and mixed with the motive flow and then discharged through the pump discharge outlet port, to be deposited close to the boost pump inlet.

**Design Features**

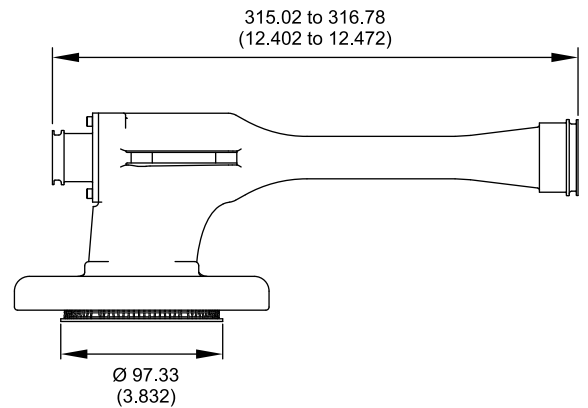
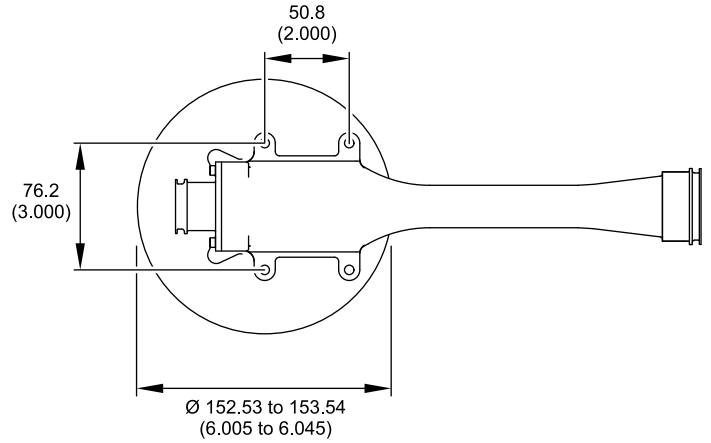
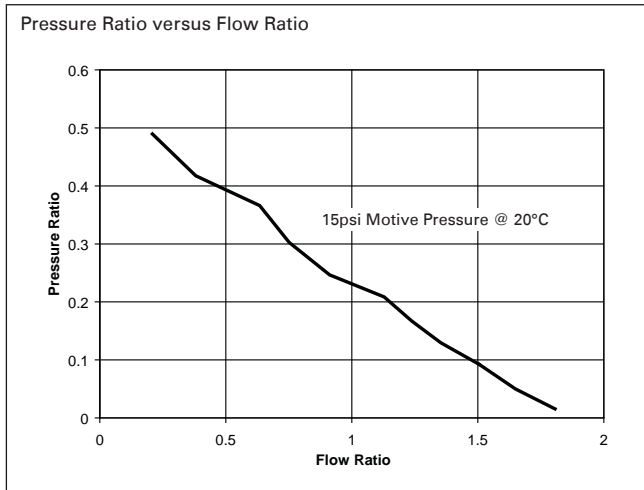
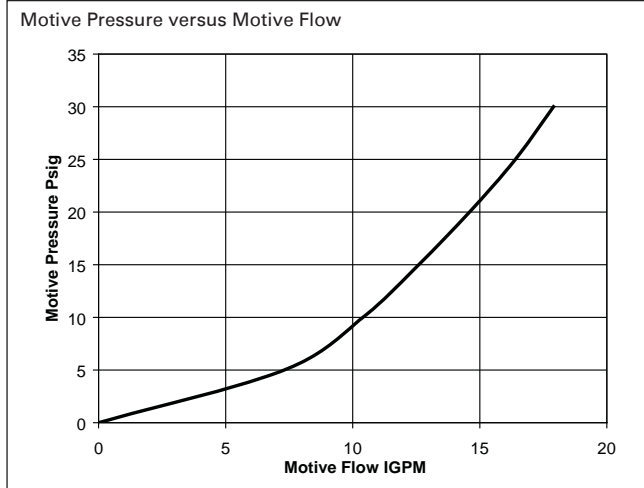
- Transfer rate >5000lb/hr
- Lightweight design
- Induced inlet check valve
- Pump down height of 12.7mm (0.5in)
- Scavenge inlet strainer



*Powering Business Worldwide*

**Specification**

Fuel Transfer Jet Pump . . . . . Part No. 38-0001  
 Transfer Rate . . . . . 0.63kg/sec (5,000lb/hr)  
 Temperature Range . . . . . -55°C to +70°C (-67°F to 158°F)  
 Altitude: . . . . . -2000ft to 43,100ft  
 Weight: . . . . . 1.14kg (2.5lb)



Dimensions in mm (in)

Eaton Aerospace Limited  
 Aerospace Group  
**Fuel Systems Division**  
 Abbey Park, Southampton Road  
 Titchfield, Fareham  
 Hampshire, PO14 4QA  
 UK  
 Tel: +44 (0)1329 853000  
 Fax: +44 (0)1329 853797  
 www.eaton.com/aerospace

Eaton Aerospace Limited  
 Aerospace Group  
**Fuel Systems Division**  
 Pathfields Business Park  
 Station Road, South Molton  
 Devon, EX36 3DW  
 UK  
 Tel: +44 (0)1769 573371  
 Fax: +44 (0)1769 572755

Eaton  
 Aerospace Group  
**Fuel Systems Division**  
 23555 Euclid Avenue  
 Cleveland, Ohio 44117  
 USA  
 Tel: (216) 692-6000  
 Fax: (216) 692-6331

Eaton  
 Aerospace Group  
**Fuel Systems Division**  
 671 West 17th Street  
 Costa Mesa, California 92627  
 USA  
 Tel: (949) 764-2200  
 Fax: (949) 752-2997