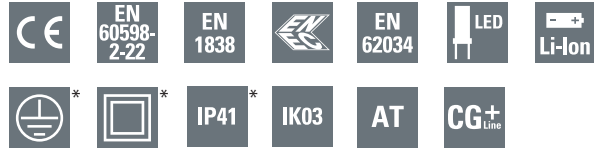


1



- Surface and recessed variants available
- Two different optics: for escape route or room illumination
- Universal use for maintained or non-maintained solutions and free configurable for 1 h, 3 h or 8 h operation
- With environmental-friendly Li-Ion battery technology
- CGLine+ as standard

Light Source:

2 × 1.6 W LED

Materials:

White polycarbonate

Aluminium reflector (heat sink)

Module housing with steel sheet

Lithium ion battery

Operation:

For maintained and non-maintained operations

CGLine+ (Without bus working in AT mode)

Selectable emergency duration of 1h, 3h, 8h

Installation:

Surface and recessed variants available

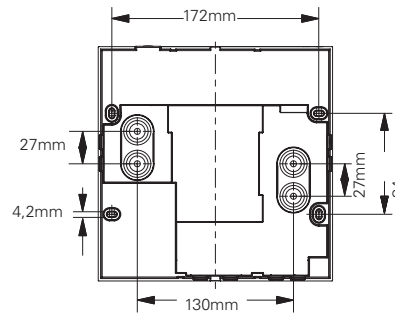
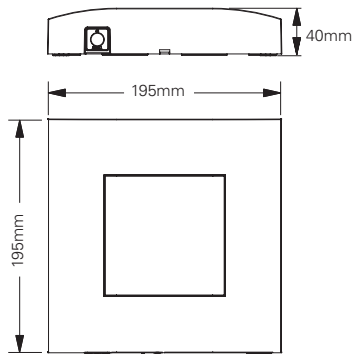
Applications:

Healthcare, Hotels, offices, cinemas, theaters, museums, commercial centers

GuideLed SL is a range of self-contained safety luminaire with a unique and innovative design using LED technology. The sophisticated electronics and long life Li-Ion batteries allow a considerable autonomy in emergency for up to 8 hours.

This range is proposed with optimal symmetric uniform illumination for open anti-panic spaces, and asymmetric light distribution for escape routes. Surface and recessed variants are available to meet your needs.

The use of LEDs, automatic testing and monitoring devices (CGLine+) significantly reduce the operating and maintenance costs of the installation.



* Recessed mounting:
Protection class II
IP41 for the luminaire
IP20 for the module housing
Surface mounting:
Protection class I - IP41

Lithium ion battery technology

Lithium ion batteries require much less space than Ni-Cd or NiMh cells of equal capacity, allowing more space in a compact design for cable routing. The Lithium ion batteries also don't suffer from the so-called memory effect associated with Ni-Cd and NiMh cells.

Permanent safety

Capacity losses from ageing have been considered by corresponding dimensioning of the cells.

A multiple protective circuit, integrated in the batteries ensures safe operation and high reliability. Ni-Cd and NiMh batteries have a significantly higher self-discharge and are therefore permanently charged. This is no longer necessary with the new GuideLed luminaires, saving additional energy costs.

Powered by Lilon

- Low spacial requirement
- No memory effect
- Environmentally friendly

Equipped for all situations

With all GuideLed luminaires, selection can be made between Maintained and Non-Maintained mode of operation as well as 1h, 3h and 8h emergency light duration as standard. As such, all accommodation establishments and homes can be equipped with self contained luminaires.

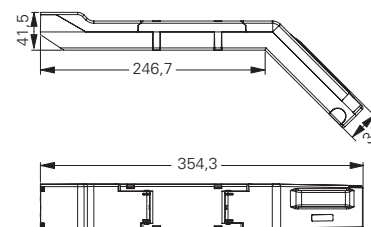
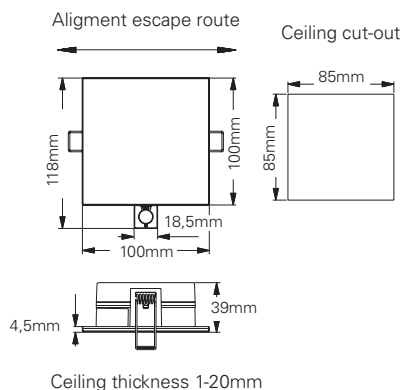
Rated duration of emergency operation and its application

1h e.g. escape routes in places of work

3h e.g. escape of assembly, sales areas, restaurants, schools, exhibition halls

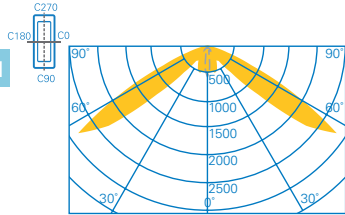
8h e.g. hotels, sleeping areas

GuideLed SL recessed



Required height in cavity ceiling for recessing through ceiling cut-out: 150 mm

Order code	Description					
40071353275	GuideLed SL 13811 recessed asym. CGLine+	6.9VA / 6.7W	210 Lm	1h, 3h, 8h	LiNiMnCoO ₂ 3.7V 4Ah	Maintained / Non-Maintained
40071353274	GuideLed SL 13821 recessed sym. CGLine+	6.9VA / 6.7W	204 Lm	1h, 3h, 8h	LiNiMnCoO ₂ 3.7V 4Ah	Maintained / Non-Maintained
40071353279	GuideLed SL 13812 surface asym. CGLine+	6.9VA / 6.7W	210 Lm	1h, 3h, 8h	LiNiMnCoO ₂ 3.7V 4Ah	Maintained / Non-Maintained
40071353278	GuideLed SL 13822 surface sym. CGLine+	6.9VA / 6.7W	204 Lm	1h, 3h, 8h	LiNiMnCoO ₂ 3.7V 4Ah	Maintained / Non-Maintained
40071353280	GuideLed SL 13851 recessed asym. 5 lx CGLine+	6.9VA / 6.7W	310 Lm	1h, 3h, 8h	LiNiMnCoO ₂ 3.7V 4Ah	Maintained / Non-Maintained
40071353282	GuideLed SL 13852 surface asym. 5 lx CGLine+	6.9VA / 6.7W	310 Lm	1h, 3h, 8h	LiNiMnCoO ₂ 3.7V 4Ah	Maintained / Non-Maintained

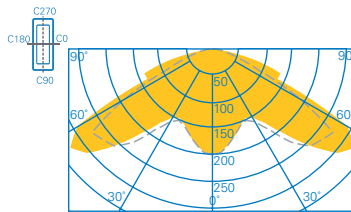


Escape route illumination with asymmetric optics

Planning help for GuideLed SL CGLine+ with asymmetric optics for E = 1.0 lx (0.5 lx)

Measurement level 0.02 m, maintenance factor MF = 80 %, battery operation, distances in m

Emergency light operating duration	Mounting height in metres	Mounting types	Mounting types			
			L1	L2	L3	L4
1 h	2.5	Ceiling mounting	1.6 (2.9)	5.8 (7.4)	5.9 (6.6)	13.2 (14.7)
	3.0	Escape route centre	1.3 (3.0)	5.8 (7.9)	6.6 (7.5)	15.0 (16.6)
	3.5		1.1 (2.2)	4.5 (8.2)	7.3 (8.3)	16.6 (18.5)
	4.0		1.1 (1.9)	3.9 (8.4)	8.1 (9.0)	18.0 (20.3)
	5.0		1.1 (1.6)	3.2 (6.3)	9.4 (10.4)	20.9 (23.6)
	6.0		1.0 (1.5)	3.0 (5.1)	10.5 (11.9)	23.8 (26.4)
	7.0		1.0 (1.5)	3.0 (4.6)	3.5 (13.2)	19.0 (29.3)
	8.0		0.9 (1.4)	2.9 (4.2)	3.3 (14.4)	19.6 (32.3)
3 h	2.5	Ceiling mounting	1.0 (2.3)	4.5 (6.4)	5.4 (6.2)	12.3 (13.7)
	3.0	Escape route centre	0.9 (1.7)	3.4 (6.7)	6.2 (6.9)	13.9 (15.6)
	3.5		0.9 (1.4)	2.9 (6.5)	6.9 (7.6)	15.3 (17.3)
	4.0		0.9 (1.3)	2.6 (5.1)	7.5 (8.4)	16.7 (18.9)
	5.0		0.8 (1.2)	2.5 (4.0)	8.7 (9.8)	19.6 (21.7)
	6.0		0.8 (1.2)	2.4 (3.5)	2.7 (11.1)	15.5 (24.7)
	7.0		0.5 (1.1)	2.3 (3.5)	2.4 (12.2)	16.3 (27.5)



Escape route illumination with symmetric optics

Planning help for GuideLed SL CGLine+ with symmetric optics for E = 1.0 lx (0.5 lx)

Measurement level 0.02 m, maintenance factor MF = 80 %, battery operation, distances in m

Emergency light operating duration	Mounting height in metres	Mounting types	Mounting types			
			L1	L2	L3	L4
1 h	2.5	Ceiling mounting	3.8 (4.5)	9.0 (10.2)	4.2 (4.9)	9.7 (11.4)
	3.0	Escape route centre	4.1 (5.0)	10.0 (11.5)	4.4 (5.4)	10.9 (12.4)
	3.5		4.0 (5.4)	10.8 (12.7)	4.4 (5.9)	11.8 (13.7)
	4.0		3.4 (5.8)	11.5 (13.7)	2.4 (6.2)	12.3 (14.9)
	5.0		1.3 (5.6)	11.0 (15.4)	1.3 (6.2)	10.3 (16.7)
3 h	2.5	Ceiling mounting	3.3 (4.1)	8.2 (9.5)	3.6 (4.5)	8.9 (10.2)
	3.0	Escape route centre	3.1 (4.5)	9.0 (10.6)	3.4 (4.9)	9.7 (11.5)
	3.5		1.5 (4.7)	9.4 (11.5)	1.5 (5.1)	9.0 (12.6)
	4.0		1.0 (4.6)	8.9 (12.4)	1.1 (5.0)	8.3 (13.5)

Emergency light operating duration	Mounting height in metres	Mounting types	Mounting types			
			L1	L2	L3	L4
1 h	2.5	Ceiling mounting	3.4 (4.3)	8.8 (10.2)	3.2 (3.9)	8.1 (9.0)
	3.0	Room illumination	3.4 (4.5)	9.4 (11.3)	3.5 (4.2)	9.4 (10.3)
	3.5		3.4 (4.4)	10.3 (12.5)	3.5 (4.2)	10.2 (11.3)
	4.0		3.4 (4.4)	11.0 (13.5)	3.4 (4.2)	10.9 (12.3)
	5.0		0.6 (5.0)	10.5 (14.7)	1.1 (4.7)	11.4 (14.5)
	6.0		0.7 (2.4)	10.8 (15.9)	0.5 (2.5)	10.0 (15.9)
	7.0		0.5 (0.7)	9.1 (14.9)	0.5 (1.6)	9.9 (16.1)
3 h	2.5	Ceiling mounting	2.9 (3.4)	7.7 (9.5)	2.9 (3.3)	7.7 (8.3)
	3.0	Room illumination	3.0 (4.0)	8.5 (10.4)	2.9 (3.5)	8.5 (9.5)
	3.5		1.4 (4.0)	9.2 (11.0)	2.0 (3.8)	9.1 (10.8)
	4.0		0.5 (4.1)	8.5 (11.7)	1.1 (4.0)	9.2 (11.7)
	5.0		0.7 (1.4)	8.3 (13.0)	0.5 (1.9)	8.3 (13.0)

Data for 8h emergency light operation upon request

Requirements of EN 1838: illuminance of 5 lx for safety equipment

The aim of emergency lighting is to enable people to exit a room or building safely. It must also ensure that fire fighting and safety equipment can be easily found and operated when needed. This equipment includes (but not exclusively):

- First aid stations
- All fire fighting equipment and all alarm devices

Lighting is required near each first aid kit, near each alarm and piece of fire fighting equipment, as well as each sign indicating a fire alarm system. In accordance with EN 1838, „near“ generally means a distance of no greater than 2 metres, measured horizontally (this corresponds with distance a in the diagram below).

The required level of illuminance on the equipment is 5 lx measured vertically - i.e. perpendicular to the usual horizontal illuminance measurements on one level.

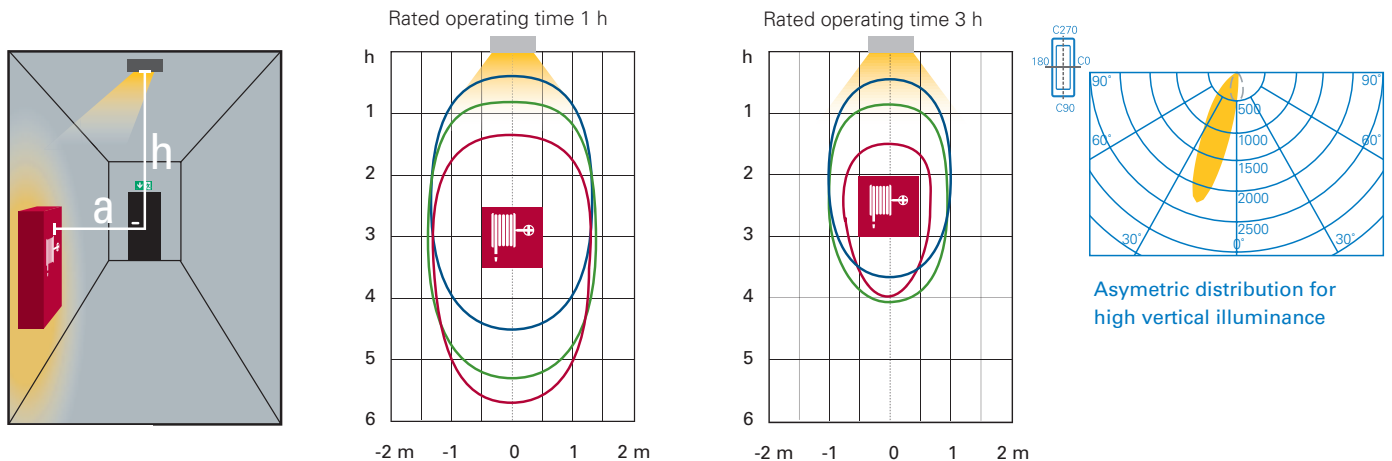
In comparison to the escape route requirement for 1 lx horizontally, different requirements apply in this situation for the light distribution from the safety luminaires, due to the flatter light angle of incidence.

GuideLed SL 13851 and 13852 CGLine+ meet the specific requirements of EN 1838

In order to meet the requirements of EN 1838, the new GuideLed SL 13851 and 13852 CGLine+ have special optics to guarantee the required illuminance of 5 lx vertically over a wide area. Hence mounting at heights of up to 5.6 m, and a breadth of illumination of up to 2.8 metres, are possible.



Engineering help, GuideLed SL 13851 and 13852 CGLine+



Area in which a minimum illuminance of 5 lx (maintenance factor 0.8) is achieved, depending on distance a and the rated operating time:

a = 1.0 m

a = 1.5 m

a = 2.0 m