

# Diesel Engine Fire Pump Controllers



## Product Description

The DIESEL Plus Fire Pump Controllers from Eaton are designed to control and monitor 12 or 24 volt, diesel fire pump engines and are among the most technically advanced diesel engine controllers available.

They are an enhanced version of the original microprocessor-based, FD100 Series of diesel engine controllers. Programming is straightforward due to the use of the core firmware and menu structure utilized in the LMR Plus Series of electric controllers.

The controller can be ordered with the option to display and output current values and status, on command, from various software protocols.

An embedded web page for retrieving diagnostics and history reports, can be accessed from the optional Ethernet communication port. An optional RS485 serial port can be used for direct connection to a computer for data transfer.

## Product Features Communication

### Embedded Web Page

The embedded web pages allow the user to view the current status of the controller as well as all amperage readings, set points, diagnostics, statistics, configuration and history. An external computer connected via the optional ethernet port is used to access the pages. The specific data required can be downloaded for reference purposes.

### Communication Types

#### USB

The USB port is used to download the controller message history, statistics, diagnostics, status and configuration data to a USB disk drive. The USB port can also be used to upload custom messages, additional languages, and update the microprocessor firmware.

#### Ethernet

An external computer can communicate with the Diesel Plus controller via the optional ethernet port. An embedded web page will display the controller's current status, as well as display all current readings, set points and history.

#### Modbus

The Diesel Plus fire pump controllers have the option to communicate to systems using the Regular level of Modbus (includes both RTU and ASCII transmission modes). Communication settings are user configurable through the Diesel Plus configuration menu.

### Field Connections

#### Standard Inputs

- Remote Start
- Fuel Spill
- Deluge Valve
- Low Suction
- Interlock On
- Pump Start
- Low Fuel
- Programmable Inputs (9)

#### Programmable Inputs

Up to 9 additional, programmable inputs can be programmed to indicate up to 13 different types of inputs. They can be programmed to energize the common alarm output, link to relays and optional LED's and latch until reset by the user. All optional inputs, outputs and LED's can be linked, as required. They can also be programmed with time delay functions.

### Standard Output Relays

All standard output relays are 8 amp, DPDT.

- Future # 1
- Future # 2
- Low Fuel
- Auto Mode
- Common Alarm

### Optional Output Relays

There is provision to add up to eight additional relay outputs, via four optional relay output boards which mount in a snap-on configuration. Each board contains a maximum of 2 additional relays.



### Engine Run Relay

The Power I/O Board houses a 10 Amp engine run relay which is used for alarm purposes, or to power external louvers.

### Common Alarm Relay

The FD120 controller has a common alarm relay which de-energizes whenever there are any alarm conditions present. This relay is energized under normal conditions and has LED status indication.

### Alarm Relay Rating

All alarm relays are rated 8 amps, 250Vac, resistive load only.

### Programmable Outputs

Up to 10 additional, programmable outputs (two standard; eight via optional output boards) can be programmed to indicate up to 45 output conditions. They can be programmed for fail safe and latch until reset by the user. All optional inputs, outputs and LED's can be linked, as required. They can also be programmed with time delay functions. As well, two optional alarm LED's can be programmed for up to 28 alarm conditions.

### Power / Voltage

**Universal Voltage Supply**  
The controller can be powered with supply voltages from 100Vac to 240Vac by connecting to the three input terminals L,N,G located on the bottom left of the engine board.



### Dual Output

12 or 24Vdc output is selectable via a DIP Switch located on the battery chargers. Note: Each controller is factory set for 12Vdc. If 24Vdc is required from the factory, it should be noted on the ordering information.

### Line Filter

A line filter incorporated onto the engine board, is used to reduce/eliminate external incoming voltage transients.

### AC Power Disconnect

A breaker located inside the controller on the Engine Board, is used to switch on and off AC power to the unit. It will illuminate when energized.

### DC Power Disconnect

The engine board houses two on-board circuit breakers used to switch on or off DC power from the batteries.

Each breaker has an LED mounted on the engine board that illuminates when the breaker is energized.

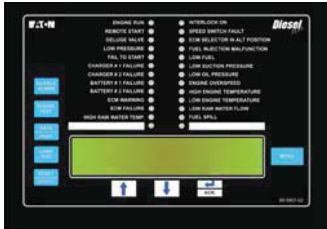
## Alarm and Status Indication

### Accessibility

All alarm and status LED's as well as the LCD Display and programming buttons are accessible from the front of the controller.

## LCD Display

The Controller Display Board contains a 4 Line by 40 Characters wide, backlit, LCD display which is capable of generating multiple languages. The display will show the current system pressure, time and date, charger output voltage and any custom messages, alarms or timer values.



## Status LED's

The controller is supplied with six (6) green status LED's for the following:

- LOW PRESSURE
- ENGINE RUN
- REMOTE START
- INTERLOCK ON
- DELUGE VALVE
- One Programmable LED

## Alarm LED's

The controller is supplied with twenty (20) red alarm LED's for the following:

- BATTERY #1 FAILURE
- CHARGER # 1 FAILURE
- BATTERY #2 FAILURE
- CHARGER # 2 FAILURE
- LOW PRESSURE
- SYSTEM OVER PRESSURE
- LOW SUCTION PRESSURE
- LOW FUEL
- FAIL TO START
- HIGH ENGINE TEMP
- LOW OIL PRESSURE
- ENGINE OVER SPEED
- ECM SELECTOR IN ALT POSITION
- FUEL INJECTION MALFUNCTION
- ECM WARNING
- ECM FAILURE
- HIGH RAW WATER TEMP.
- LOW ENGINE TEMPERATURE
- FUEL SPILL
- One Programmable LED

## Statistics

Up to 26 statistical points are recorded to provide a quick review of how the system has been operating. The statistics can be viewed on the main display, saved to a USB disk drive, or viewed on the embedded webpage.

## Diagnostics

Up to fifty three diagnostic points are recorded that can be used to help in troubleshooting issues with the controller. The diagnostics can be viewed on the main display, saved to a USB disk drive, or viewed on the embedded webpage.

## Message History

Up to 10k alarm/status messages can be stored in the controller memory. They can be viewed on the main display, saved to a USB disk drive, or viewed on the embedded webpage.

## DC Fail

A visual indication and audible alarm is provided to indicate DC power loss due to one or both batteries being disconnected from the controller.

This indication will also be provided if the controller is not operating due to an electronic board failure.

## Programmable Features

- Languages (English, French, Spanish Standard. Other languages are available. Consult factory.)
- Date and Time
- Pressure Start and Stop Points
- Low and High Pressure Alarms
- Stop Mode
- Low Suction Shutdown
- Pressure Recording Parameters
- Run Period Timer
- Weekly Test Timer
- Sequential Start Timer
- AC Failure Alarm
- AC Fail to Start

## Enclosures

### Ratings

All FD120 controllers come standard with NEMA 2 enclosures unless otherwise ordered.

Available options include: NEMA 3R, 4, 4X, 12.

## Reduced Size

A streamlined internal design has allowed the overall size of the DIESEL Plus controllers to be reduced from previous models. See dimensional drawings on our website.



## Technical Specifications

- Supply Voltage: 100-240Vac
- Output Voltage: 12-24Vdc
- Hertz: 50/60 Hz
- Enclosure: Standard NEMA 2
- Optional NEMA 3R, 4, 4X, 12
- Temperature: 4 to +50 deg. C
- 39 to +122 deg. F
- Alarm Relays: DPDT 8amp
- Engine Run Relay: DPDT 10amp
- Crank / Fuel Stop Relays: SPDT
- Pressure Transducer: 500psi
- Immunity Compliance: Environment A
- Emission Compliance: Environment B

## Battery Chargers

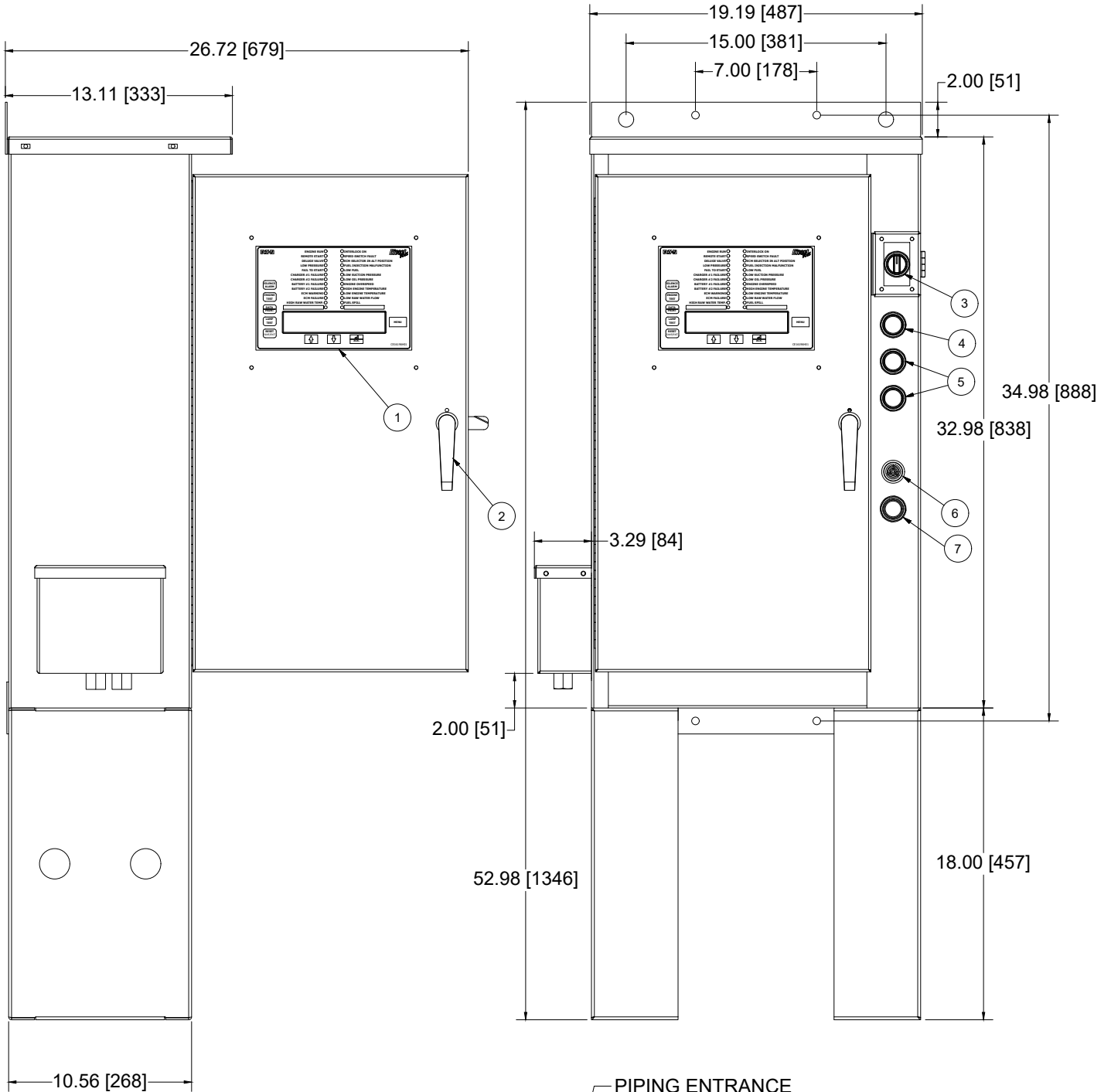
- Mode: Switching
- Dual 10 Amp
- Communication to Power I/O Board
- Diagnostics Recording
- Lead Acid or NiCad Three Step Charge
- Internal Temperature Monitoring
- Universal Voltage Input
- Selectable Dual Voltage Output



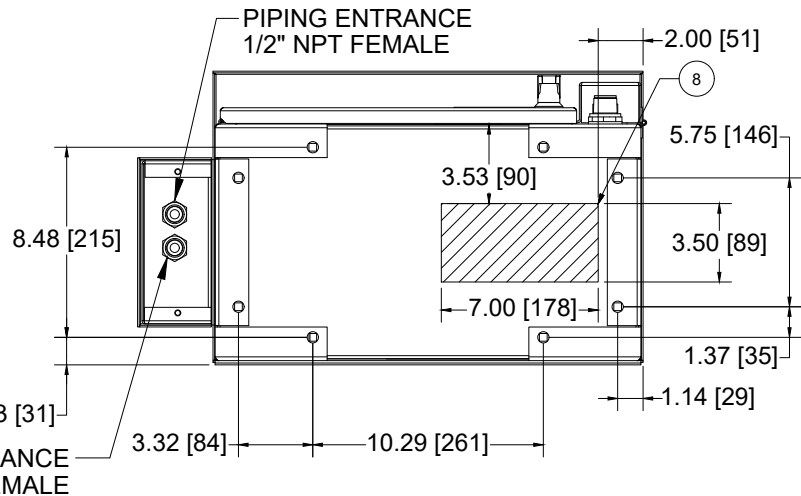
## Standards & Certification

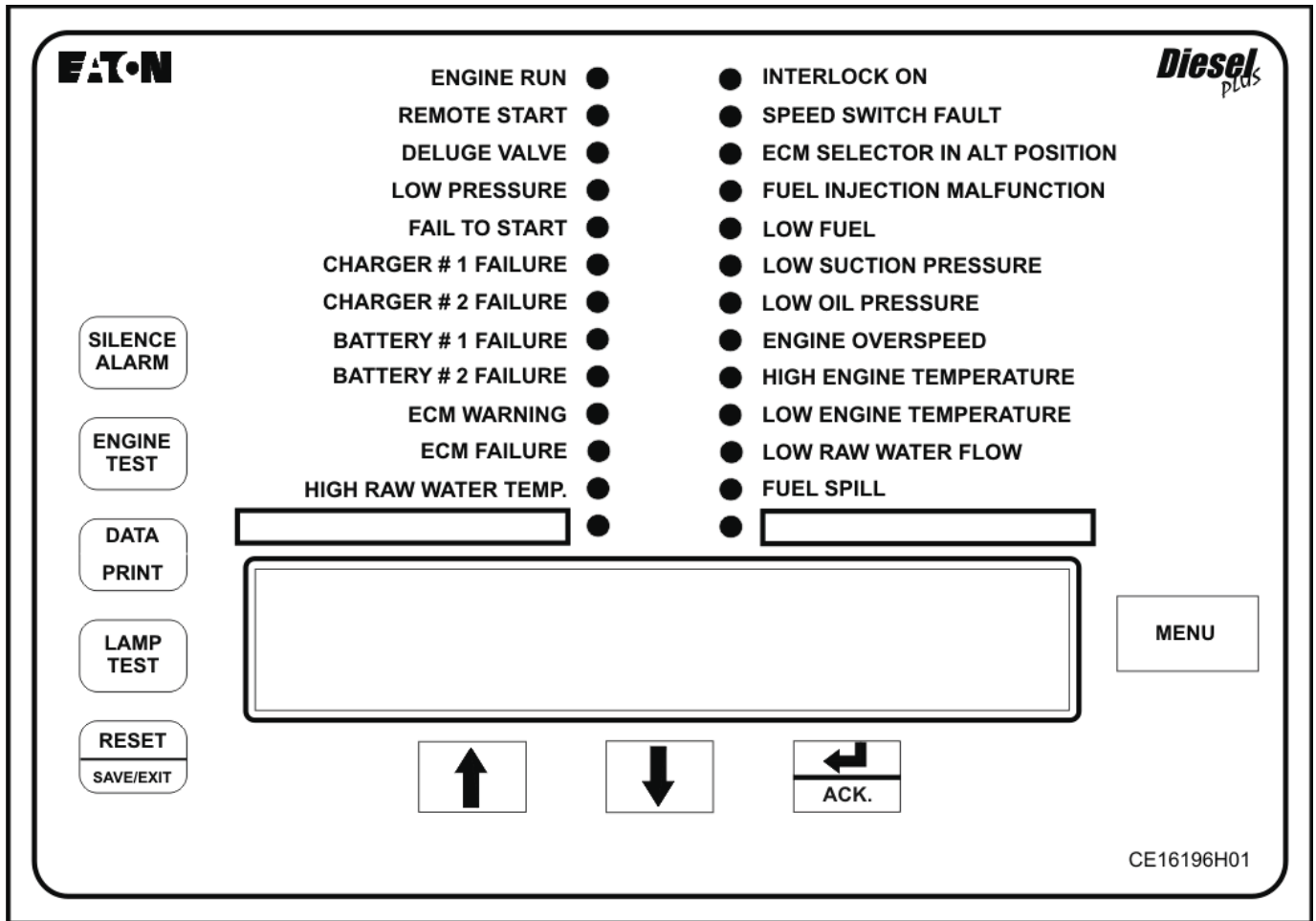
The FD120 Diesel Engine Fire Pump Controllers meet or exceed the requirements of Underwriters Laboratories, Factory Mutual Research (FM), New York City building code, CE mark and U.B.C. / C.B.C Seismic requirements, and are built to NFPA 20 standards.





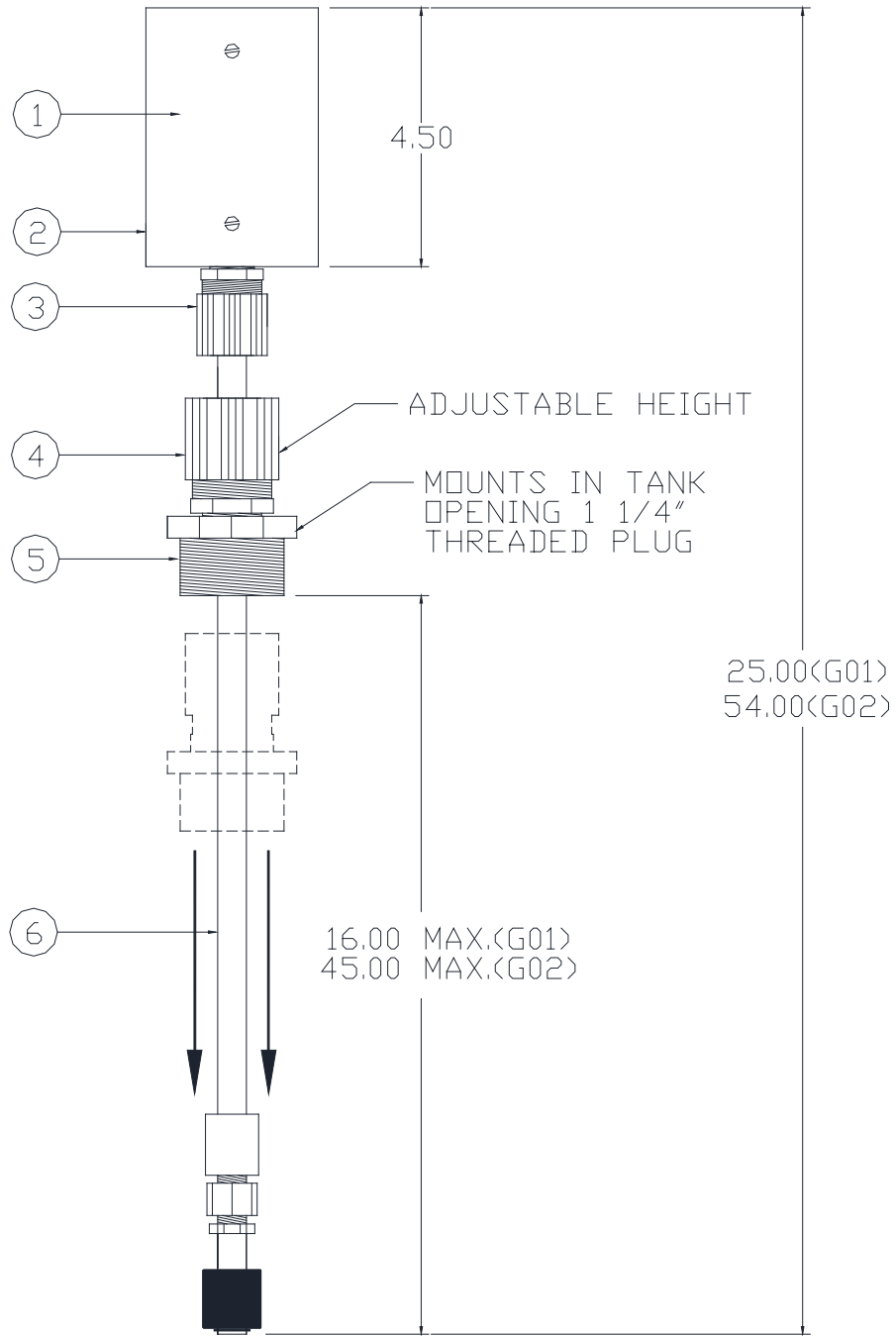
- 1 - DIESEL PLUS MEMBRANE
- 2 - LOCKABLE HANDLE
- 3 - HAND OFF AUTO SELECTOR SWITCH
- 4 - STOP BUTTON
- 5 - CRANK BUTTONS
- 6 - AUDIBLE ALARM
- 7 - DC FAIL LIGHT
- 8 - ALLOWABLE CABLE ENTRY/EXIT AREA





NOTES:

1. Refer to the DIESEL Plus technical manual for details and setup information, as well as programming and custom labeling for the Programmable LED's.

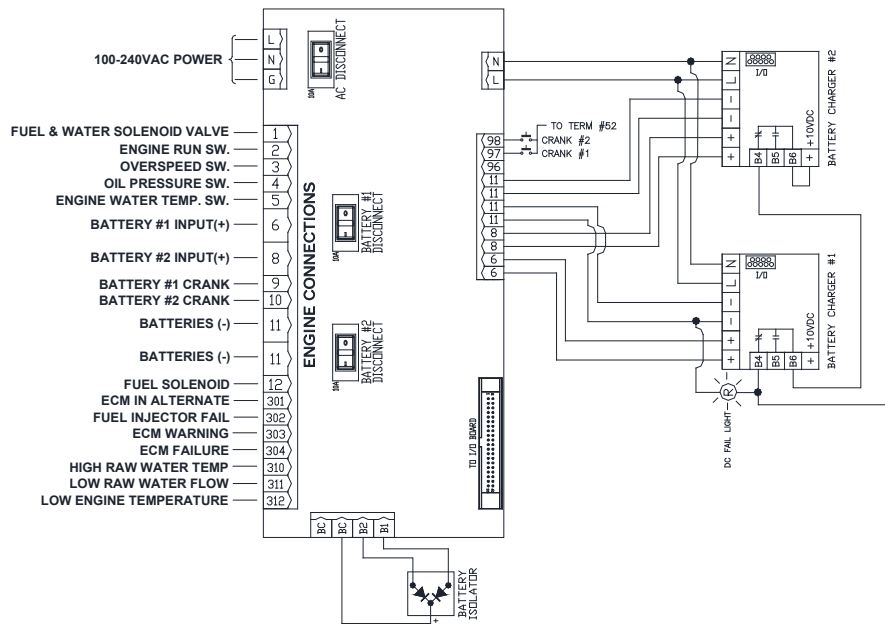
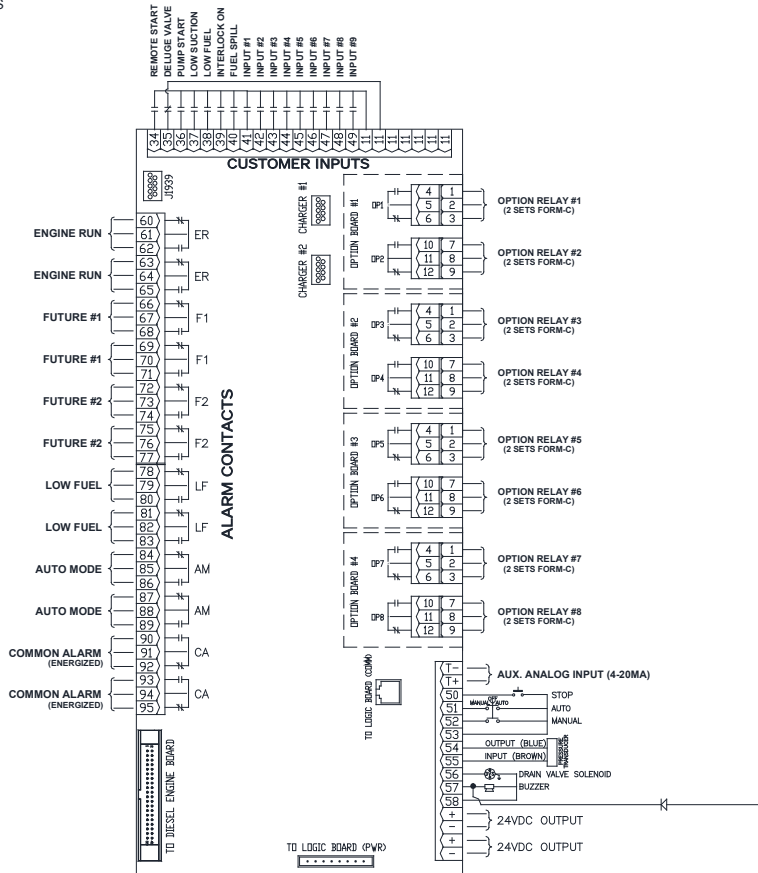


Dimensions in Inches

3A14119G01: 16 inch unit  
3A14119G02: 45 inch unit



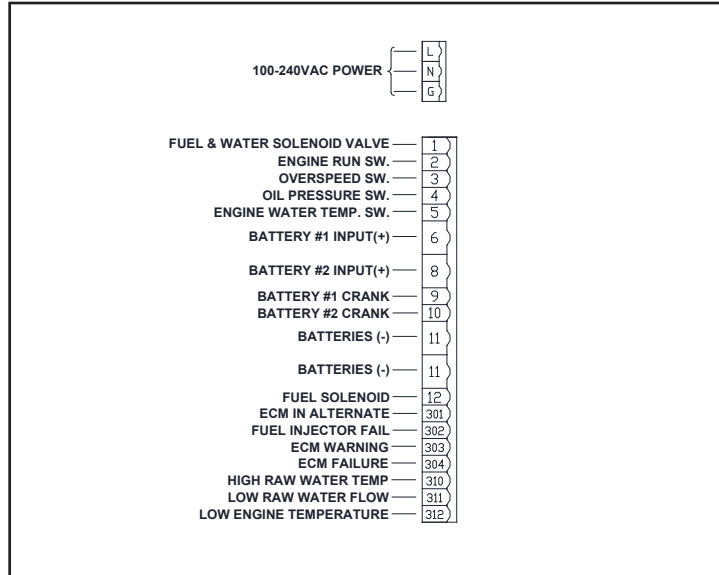
- NOTES:
1. DELUGE VALVE INPUT NORMALLY CLOSED. REMOVE JUMPER IF USED.
  2. COMMON ALARM OUTPUT NORMALLY ENERGIZED.
  3. OUTPUT STATES SHOWN ARE WHEN CONTROLLER IS POWERED AND SET IN OFF MODE.
  4. ALARM CONTACTS RATED FOR 8A/250VAC. ENGINE RUN CONTACTS RATED 10A/240VAC.
  5. ALARM AND ENGINE WIRES ARE TO BE COPPER CONDUCTOR ONLY



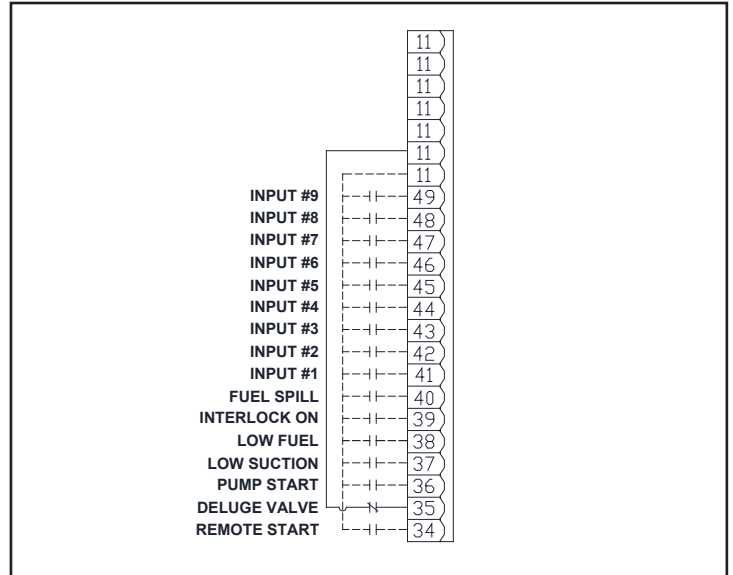
Field Connections



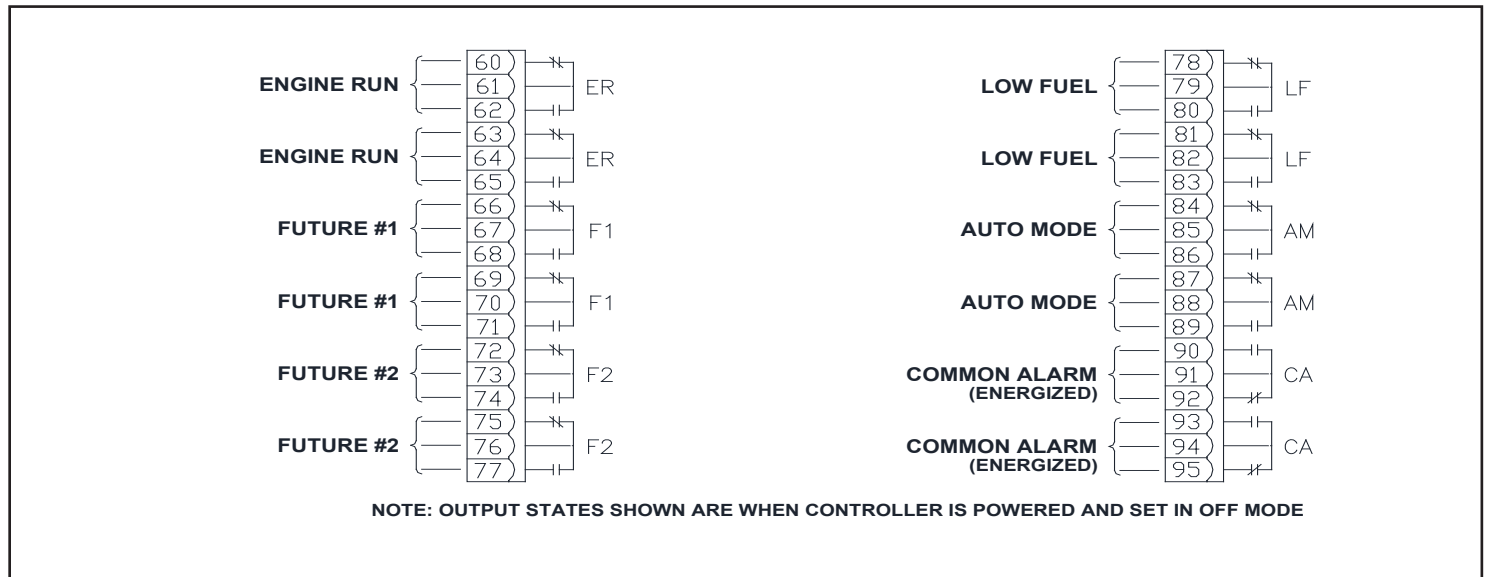
Engine Board Terminal Blocks



Inputs



Outputs



Technical Data and Specifications

Line Terminals (Incoming Cables)

Recommended Wire Size	Terminal Number	Distance
I/O Board Stranded # 14 (1.63mm) Stranded # 14 (1.63mm)	11, 34-39, 60-95 Option Board Terminals	N. A. N. A.
Engine Board Stranded # 14 (1.63mm)	1-5, 9, 10, 12, 301, 302, 303, 304, 310, 311, 312 L, N, G	N. A.
Battery Wire Stranded # 10 (2.59mm) Stranded # 8 (3.26mm)	6, 8, 11 6, 8, 11	0 feet to 25 feet (7.62m) 25 feet to 50 feet (7.62-15.24m)

## Technical Data and Specifications - LMR Plus Electric Controllers

### Line Terminals on Main Isolation Switch (Incoming Cables)

#### Qty. & Cable Sizes

American Wire Gauge (AWG /MCM)	Diameter (mm)
(1)#14-1/0 PER Ø (CU/AL)	(1.63 - 5.83 mm)
(1)#4-4/0 PER Ø (CU)	(5.83 - 11.68 mm)
(1)#3-350MCM PER Ø (CU/AL)	(5.83 -15.03 mm)
(2)3/0-250MCM PER Ø (CU/AL)	((10.40 - 12.70 mm)
(2)2/0-250-350MCM PER Ø (CU/AL)	((12.70 - 15.03 mm)
(2)#1-500MCM PER Ø (CU/AL)	((7.35 - 17.96 mm)
(3)3/0-400MCM PER Ø (CU/AL)	((10.40 - 16.06 mm)

#### Service Entrance Ground Lug - Qty. & Cable Sizes

American Wire Gauge (AWG /MCM)	Diameter (mm)
(1)#14-2/0 PER Ø (CU/AL)	(1.63 - 9.27 mm)
(1)#4-350MCM PER Ø (CU/AL)	(5.19 - 15.03 mm)
(2)1/0-750MCM PER Ø (CU/AL)	(8.25 -22.00 mm)

### Load Terminals (To Motor)

#### Qty. & Cable Sizes

American Wire Gauge (AWG /MCM)	Diameter (mm)
(1)#4-#3 PER Ø (CU)	(1.63 - 5.83 mm)
(1)#4-4/0 PER Ø (CU/AL)	(1.63 - 8.25 mm)
(1)#6-250MCM PER Ø (CU/AL)	(4.11 -12.70 mm)
(2)1/0-250MCM PER Ø (CU/AL)	((8.25 - 12.70 mm)
(2)2/0-500MCM PER Ø (CU/AL)	((9.27 - 17.96 mm)

For Proper Cable Size Refer to National Electrical Code NFPA-70.

## Technical Data and Specifications - DIESEL Plus Diesel Engine Controllers

### Line Terminals (Incoming Cables)

Recommended Wire Size	Terminal Number	Distance
<b>I/O Board</b>		
Stranded # 14 (1.63 mm)	11, 34-49, 60-95	N. A.
Stranded # 14 (1.63 mm)	Option Board Terminals	N. A.
<b>Engine Board</b>		
Stranded # 14 (1.63 mm)	1-5, 9, 10, 12, 301, 302, 303, 304, 310, 311, 312, L, N, G	N. A.
<b>Battery Wire</b>		
Stranded # 10 (2.59 mm)	6, 8, 11	0 feet to 25 feet (7.62m)
Stranded # 8 (3.26 mm)	6, 8, 11	25 feet to 50 feet (7.62 - 15.24m)





FD120  
 FDF120

Language
L1 = English
L2 = French
L4 = Italian
L5 = Spanish
L6 = Portuguese
L7 = Chinese
L8 = Polish
L9 = Dutch
L11 = Turkish

DIESEL Plus Options	
380*	Supply Voltage (380V 50/60Hz)
480*	Supply Voltage (480V 60Hz)
600*	Supply Voltage (600V 60Hz)
COM	Communications Option
CX	Extra Contacts (Two Form-C; Specify Function)
E1	NEMA 3R - Raintight Enclosure
E2	NEMA 4 - Watertight Enclosure
E3	NEMA 12 - Dust Tight Enclosure
E5	NEMA 4X - 304 Stainless Steel
E8	Tropicalization
E9	NEMA 4X - Painted Steel
E10	NEMA 4X - 316 Stainless Steel
EX	Export Crating
F2	Floor Stand - 2 Inch Height **
LO	Powered Louver Contacts - (1.6 Amp Max)
LO+	Powered Louver Contacts - (Up to 8.0 Amp)
LX	Extra Light (Specify Description)
Ni	Ni Cad Batteries
P5	Proof Pressure Switch - ALCO - 19-250 PSI
P7	Low Suction Pressure Switch
P8	Shutdown (Requires P7 Option)
P10	Pressure Transducer - Sea Water
P13	Externally Mounted Pressure Transducer **
R1	Space Heater (120 / 220V)
R2	Space Heater c/w Thermostat
R3	Space Heater c/w Humidistat
R4	Low Room Temperature Switch ***
R5	Space Heater (Internally powered - 120V / 240V)
S1	Fuel Level Switch, 16 Inch
S2	Fuel Level Switch, 45 Inch
S3	Fuel Level Switch, High-Low
USB	Externally Mounted USB Port
X1	Printer
X2	4 Inch Chart Recorder (10 - 300 psi fresh water)

Note: All controllers are factory set for 12Vdc operation, unless otherwise noted on the purchase order.  
 \* Standard voltage supplied: 110 / 220V 50/60Hz  
 \*\* Not available for NEMA 4 or NEMA 4X units.  
 \*\*\* When ordered with a NEMA4 / 4X enclosure, the temperature switch is shipped loose with 20 feet of wire.

April 2015

## Diesel Plus Fire Pump Controllers

### Typical Specifications

#### 1. Approvals

- A. The Fire Pump Controller shall meet Factory Mutual Research (FM) 1321/1323. It shall be listed by [Underwriters Laboratories (UL)], [New York Department of Buildings (NYSB)] for fire pump service.
- B. The controller shall be [12 volt / 24 volt] negative ground, for use with Diesel Engine, Model manufactured by \_\_\_\_\_.

#### 2. Construction

- A. All internal components shall be front mounted and wired for ease of inspection and maintenance. All relays shall have visual indication to show that the relays are energized. The controller shall include an LCD display to indicate battery voltage and amperes as well as system pressure, in PSI or Bars.
- B. The controller shall have twin battery chargers meeting Factory Mutual Research (FM) requirements. The battery chargers shall have reverse polarity protection/ indication and be capable of recharging a completely discharged battery within 24 hours. The chargers shall auto detect the input voltage of 100VAC to 240VAC and shall be able to be programmed for either 12VDC or 24VDC output.
- C. The controller shall come standard with a breaker disconnect on the AC line and for both battery connections.

#### 3. Pressure Sensor

- A. A solid-state 4-20mA pressure sensor shall be provided. The pressure Start and Stop points shall be adjustable in increments of one (1) PSI. A low pressure pre-alarm, indicated with a flashing green LED, shall denote a potential pump starting condition and will remain lit once the pump has started to indicate the starting cause.

#### 4. Output Relays

- A. Two (2) sets of alarm contacts (Form-C) rated at 8A, 250VAC/30VDC, shall be provided for remote indication of:
  1. ENGINE RUN (10A)
  2. LOW FUEL
  3. AUTO MODE
  4. COMMON ALARM
- B. Two (2) 'FUTURE' relays, each containing two sets of alarm contacts (Form-C) shall be provided. Relays can be factory set to indicate a specific alarm and shall be field programmable / adjustable to meet future site requirements:
- C. The Common Alarm relay shall be energized under normal conditions.

#### 5. Enclosure

- A. The controller shall be housed in a NEMA Type 2 (IEC IP11) drip-proof, powder baked finish, freestanding enclosure.
- B. Optional Enclosures:
  1. NEMA 3R (IEC IP24) rain-tight enclosure.
  2. NEMA 4 (IEC IP66) watertight enclosure.
  3. NEMA 4X (IEC IP66) watertight 304 stainless steel enclosure.
  4. NEMA 4X (IEC IP66) watertight 316 stainless steel enclosure.
  5. NEMA 4X (IEC IP66) watertight corrosion resistant enclosure.
  6. NEMA 12 (IEC IP54) dust-tight enclosure.

#### 6. Microprocessor Control

- A. The following parameters shall be programmable and included as standard:
  1. START and STOP PSI points
  2. High and Low Pressure Alarm Setpoints
  3. STOP MODE: Manual or Auto
  4. RUN PERIOD TIMER: 0-60 min
  5. AC POWER FAILURE: Enable or Disable
  6. SEQUENTIAL START TIMER: 0-300 sec.
  7. WEEKLY TEST TIMER
  8. PRESSURE DEVIATION: 1-99 PSI
  9. LANGUAGE: English/French/Spanish/Other
- B. The following visual and audible alarms shall be provided:
  - FAIL TO START
  - LOW OIL PRESSURE
  - ENGINE OVERSPEED
  - BATTERY #1 FAILURE
  - BATTERY #2 FAILURE
  - REMOTE START
  - LOW PRESSURE
  - SPEED SWITCH FAULT
  - ECM SELECTOR IN ALT POSITION
  - FUEL INJECTOR MALFUNCTION
  - STARTER #1 FAILURE
  - STARTER #2 FAILURE
  - TRANSDUCER FAILURE
  - DATA CABLE DISCONNECT
  - DC FAIL
  - HIGH ENGINE TEMP.
  - ENGINE RUN
  - LOW FUEL
  - CHARGER #1 FAILURE
  - CHARGER #2 FAILURE
  - DELUGE VALVE
  - INTERLOCK ON
  - LOW SUCTION
  - ECM WARNING
  - ECM FAILURE
  - HIGH RAW WATER TEMPERATURE
  - LOW ENGINE TEMPERATURE
  - LOW RAW WATER FLOW
  - FUEL SPILL

April 2015

**Diesel Plus Fire Pump Controllers**

- C. The controller shall have a 4 line by 40 character LCD display mounted on a panel opening in the front door. The LCD display shall indicate the following:
  - 1. Main screen displaying system pressure, Battery #1/#2 voltage and amperage, operation mode, shutdown mode, custom messages, alarms, timers, date, and time.
  - 2. Set point review screen displaying the programmed pressure start and stop points, and weekly test time.
  - 3. Controller statistics screen, including:
    - a. Powered Time
    - b. Engine Run Time
    - c. Number of Cranks
    - d. Number of Starts
    - e. Last Engine Start Time
    - f. Last Engine Run Time
    - g. Last Low Pressure Start
    - h. Minimum Battery #1 Voltage
    - i. Maximum Battery #1 Voltage
    - j. Minimum Battery #2 Voltage
    - k. Maximum Battery #2 Voltage
    - l. Minimum Battery #1 Amps
    - m. Maximum Battery #1 Amps
    - n. Minimum Battery #2 Amps
    - o. Maximum Battery #2 Amps
    - p. Minimum System Pressure
    - q. Maximum System Pressure
    - r. Last System Startup
    - s. Last Engine Test
    - t. Last Low Oil Pressure
    - u. Last Overspeed
    - v. Last Fail To Start
    - w. Last Low Fuel
    - x. Last Charger Failure
    - y. Last Battery Failure
    - z. Last ECM Alarm
  - 4. Controller diagnostics screen, including:
    - a. Date & Time
    - b. Firmware Version
    - c. Shop Order Number
    - d. Customer Order Number
    - e. Battery Voltage
    - f. Internal Board Voltage
    - g. Transformer Output Voltage
    - h. Current Transformer Outputs
    - i. Pressure Transducer Calibrated Settings
    - j. Input Status
    - k. Relay Status
  - 5. Display last messages screen that will display at least the last 10,000 alarms / messages stored in the controllers' memory.
  - 6. Display up to ten (10) custom messages of up to 100 characters each, which will continually scroll across the fourth line of the display.
  - 7. Remaining time left on active timers.
- D. The controller shall be supplied with six (6) green status LED's for the following:
  - 1. Engine Run
  - 2. Remote Start
  - 3. Low Pressure
  - 4. Interlock On
  - 5. Deluge Valve
  - 6. One Programmable LED
- E. The controller shall be supplied with twenty (20) red alarm LED's to indicate the following:
  - 1. BATTERY #1 FAILURE
  - 2. BATTERY #2 FAILURE
  - 3. CHARGER #1 FAILURE
  - 4. CHARGER #2 FAILURE
  - 5. SPEED SWITCH FAULT
  - 6. ECM SELECTOR IN ALT POSITION
  - 7. FUEL INJECTION MALFUNCTION
  - 8. LOW SUCTION PRESSURE
  - 9. FAIL TO START
  - 10. HIGH ENGINE TEMP.
  - 11. LOW OIL PRESSURE
  - 12. ENGINE OVERSPEED
  - 13. LOW FUEL
  - 14. ECM WARNING
  - 15. ECM FAILURE
  - 16. HIGH RAW WATER TEMPERATURE
  - 17. LOW ENGINE TEMPERATURE
  - 18. LOW RAW WATER FLOW
  - 19. FUEL SPILL
  - 20. One Programmable LED
- F. The microprocessor logic board shall be available with:
  - 1. A USB port for transference of message history, controller status, diagnostics, configuration, statistics and the ability to update firmware.
  - 2. An optional Ethernet port for direct connection to a computer for data transfer.
  - 3. An optional RS485 Serial port for communication to various external software programs.
  - 4. An optional RS232 Serial Port
- G. The controller shall come complete with an embedded web page which allows viewing of the controllers' current status, data values, programmed set points, and downloadable history.
- H. A Fail-to-Start alarm shall occur if the engine does not start after the crank cycle.
- I. A sequential start timer, weekly test timer and AC Failure Start timer shall be provided as standard.
- J. The controller shall be supplied with interlock and shutdown circuits as standard. A flashing green LED shall indicate an interlock on condition.

April 2015

### **Diesel Plus Fire Pump Controllers**

- K. Where shutdown of the pump(s) due to low suction pressure is required, it shall be accomplished without the addition of a separate panel or enclosure. The LCD display shall indicate low suction shutdown. Resetting of the condition shall be automatic or manual as selected by the user.
- L. Means shall be provided to test the operation of all LED's to ensure their functionality.

#### **7. Programming Menu**

- A. The programming menu shall have the ability to enable an entry password.
- B. The programming menu shall be limited to two (2) levels of password protection.
- C. The controller shall have three (3) languages as a standard, English, French, and Spanish, with the ability to add a fourth language.
- D. The programming menu shall be grouped into 7 main menu headings as follows:
  - 1. Regional Settings
  - 2. Pressure Settings
  - 3. Timer Values
  - 4. Input/Output Menu
  - 5. System Configuration (password protected)
  - 6. Language
  - 7. Main Menu Password

#### **8. Custom Inputs/Outputs**

- A. The controller shall come standard with nine (9) custom inputs, two (2) programmable LED indicators, and two (2) future outputs, with the ability to add up to another 8 outputs via optional relay boards.
- B. The user shall be able to program the future inputs/outputs and optional relays through the main programming menu.
- C. The inputs shall be selectable based on the following criteria:
  - 1. User selected message or twenty four (24) predetermined messages.
  - 2. Energize the common alarm relay when the input is received.
  - 3. Link to a future relay and/or LED indicator.
  - 4. Alarm latched until reset.
  - 5. Normally open or closed input.
  - 6. On-delay timer.
  - 7. Energize the buzzer when the input is received.
- D. The LED indicators shall be selectable based on the following criteria:  
Indication based on a minimum of fourteen (14) predetermined alarms or a custom input.

- E. The future relays shall be selectable based on the following criteria:
  - 1. Output based on a minimum of forty (40) predetermined alarms, controller status or a custom input.
  - 2. Latched until reset.
  - 3. Energized under normal conditions.
  - 4. On or off delay timer on the output.

#### **9. Manufacturer**

- A. The controller shall be microprocessor based as manufactured by Eaton Industries (Canada) Co.