

Technical Data



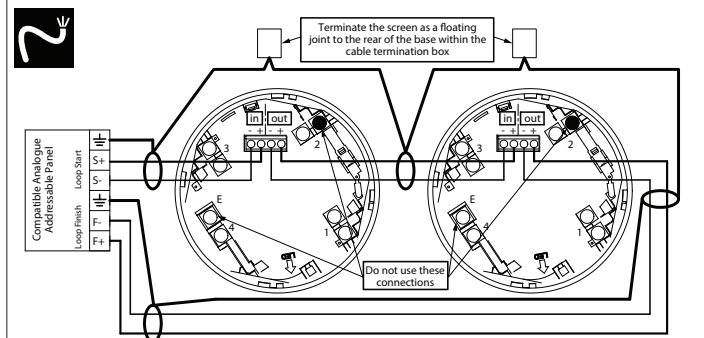
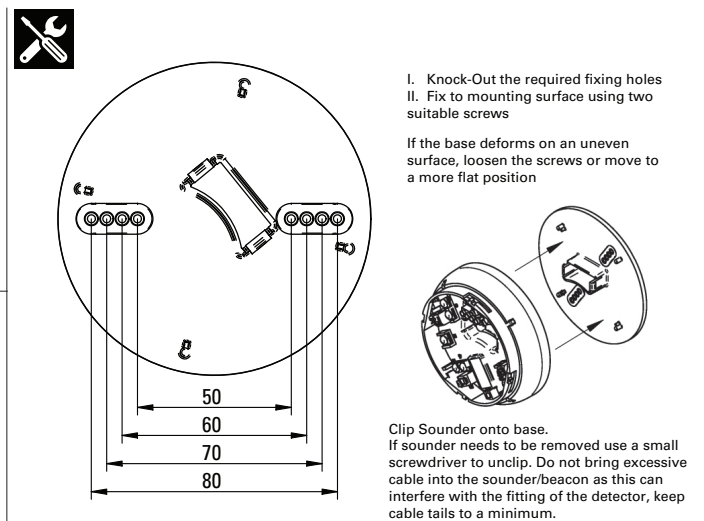
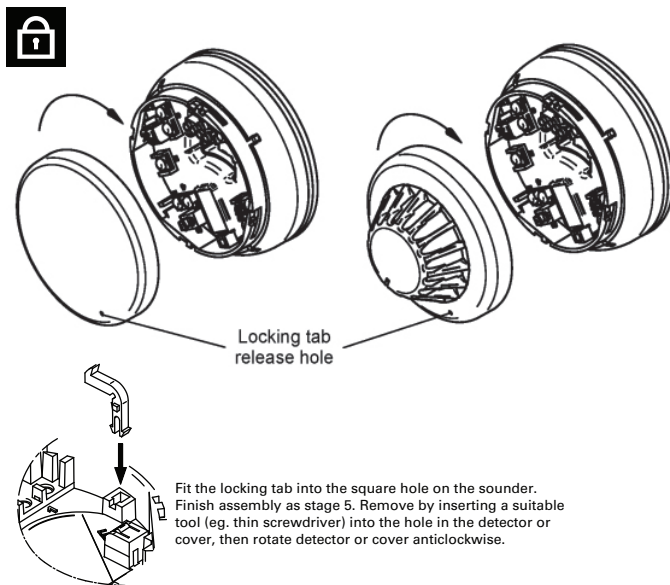
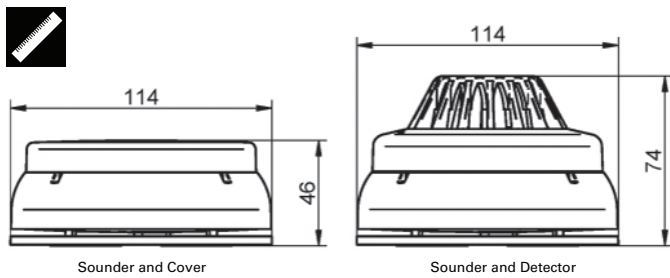
	Specification
Supply Voltage	17 to 32 Vdc
Cable size	0.5mm ² ~ 2.5mm ² / FIRETUF, FP200 or MICC
Standby current	< 320 μA
Operating temperature	-10 to +55°C (95%RH)
Material	ABS/PC FR Plastic
Sound output @ +/-3dB (set by panel)	Low volume : 84dB @ <4mA Medium volume : 92dB @ <8mA High volume : 95dB @ <12mA
Environment Category	Type A / IP21C
Compliance	EN54-3 Fire Alarm Device - Sounder, EN54-17:2005
Tones (set by panel)	Continuous 910Hz , Pulsed 910 / 0Hz pulse 1Hz, Two Tone 610 / 910Hz @ 1Hz cycle , Slow whoop 500-1200Hz in 3.5 seconds / 0.5secs gap

Short Circuit Isolation Data (Integral with each Sounder)	
Total Loop Resistance for correct operation of short circuit isolator	50Ω (max)
Parallel Fault Resistance to be seen at the Control Panel for isolators to open	200Ω (typ)
Continuous Current allowable through isolator	700mA (max)
Isolator Resistance in closed state	0.26Ω (max)
Leakage Current into direct short circuit with isolator open	14mA (max)
Voltage at which isolator changes from open to closed or closed to open state	3.8V to 11V
Maximum switching current of isolator	1.5A

Order Codes	
Addressable Sounder Base - Cooper	CAS380
Cover for sounder Base (5 Pack)	CASC
Addressable Sounder Base - Menvier	MAS850
Cover for sounder Base (5 Pack)	MASC
Addressable Sounder Base - JSB	FXN538
Cover for sounder Base (5 Pack)	MASC

Short Circuit Isolators

Each of the sounder beacons in this range contain an integral short circuit isolator, which operates between the -VE COM IN terminal and the -VE COM OUT terminal (terminals 1 & 2; see base wiring diagram). The isolator operates in conjunction with a compatible addressable Control Panel when a low parallel resistance fault of typically 200 is presented between the +VE and -VE of the loop wiring.



WARNING Do NOT use high voltage testers if ANY equipment is connected to the system. Earth screen must be continuous along entire length of loop.

Eaton
EMEA Headquarters
Route de la Longeraie 7
1110 Morges, Switzerland
Eaton.eu
TEL: +44 (0) 1302 321541
FAX: +44 (0) 1302 303220
FireCustomerService@eaton.com
FireTechSupport@eaton.com

Eaton Electrical Systems Ltd.
Wheatley Hall Road
Doncaster
DN2 4NB
TEL: +44 (0) 1302 303303
FAX: +44 (0) 1302 367155



© 2019 Eaton
All Rights Reserved
Eaton is a registered trademark.

All trademarks are property of their respective owners.