

MAS850LPS Wall Sounder Specification

Supply Voltage	: 17 ~ 32 Vdc
Cable Size / type	: 0.5 ~ 2.5mm/ FIRETUF, FP200 or MICC
Standby current	: < 320 uA
Operating temperature	: -10 to +55 degrees C (95%RH)
Sound output @ +/-3dB (set by panel)	: Low volume : 87dB @ <2mA : Medium volume : 93dB @ <3mA : High volume : 100dB @ <6mA
Tones (set by panel)	: Continuous 984Hz : Pulsed 984 / 0Hz pulse 1Hz : Two Tone 644 / 984Hz @ 1Hz cycle : Slow whoop 500-1200Hz in 3.5 seconds / 0.5secs gap

Cooper Lighting and Security
Wheatley Hall Road,
Doncaster,
South Yorkshire,
DN2 4NB
Tel: 01302 321 541
www.cooper-ls.com



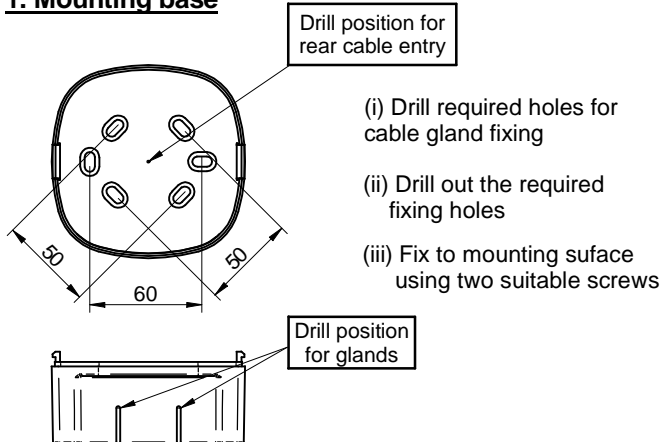
Order Codes

MAS850LPS	Addressable Wall Sounder
MAS850LPS/WP	Addressable Wall Sounder IP66

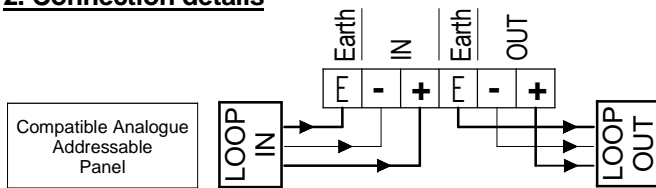
Installation Details

Wall Sounder

1. Mounting base



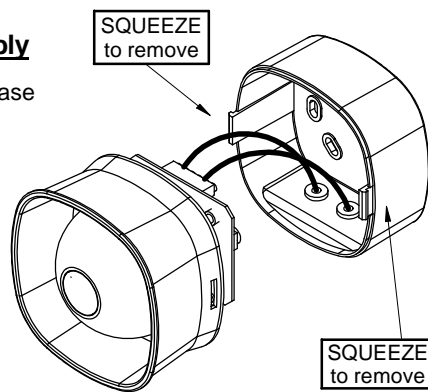
2. Connection details



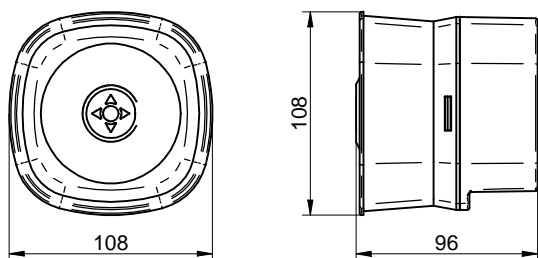
WARNING: Do NOT use high voltage testers if ANY equipment is connected to the system.
Earth screen must be continuous along entire length of loop.

3. Sounder assembly

- (i) Clip sounder onto base
- (ii) Ensure cables do not put stress on the PCB

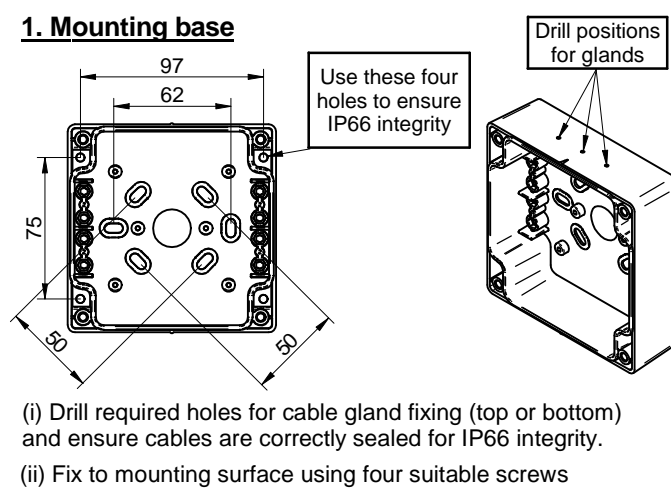


Dimensions

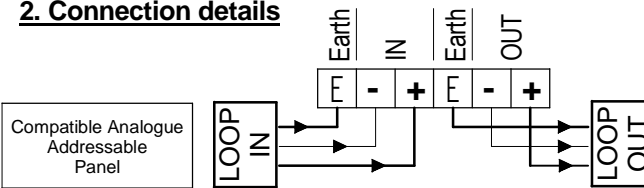


Wall Sounder IP66

1. Mounting base



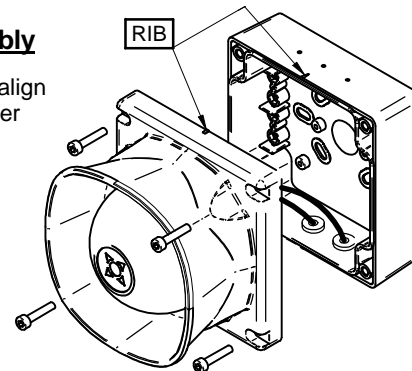
2. Connection details



WARNING: Do NOT use high voltage testers when beacons or control panel are connected to the system.
Earth screen of cable to be continuous between sounders.

3. Sounder assembly

- (i) Location ribs must align on base and sounder
- (ii) Ensure cables do not put stress on the PCB
- (iii) Bolt sounder onto base



Dimensions

