

# FXSOLWRS, FXSOLCWS - Conventional solista LX wall and ceiling beacons



The Solista LX range of visual alarm devices (VADs) has both a wall and a ceiling variant. The Solista LX Wall (FXSOLWRS) is suitable for a variety of applications and compatible with both a shallow base and deep base.

A patented lens design distributes light to achieve the required illumination specified by EN 54-23, whilst using minimum current consumption.

The Solista LX Ceiling (FXSOLCWS) has a unique lens design that distributes the light in a cylindrical shape to achieve the required illumination specified by EN 54-23.

Designed for installation at a height of up to 3m and with a discrete appearance, the device is ideal for a variety of applications, including bedrooms, bathrooms and toilets.

## Features and benefits

- Ultra low current consumption of 10mA
- Up to 7.5m coverage volume
- 0.5Hz or 1Hz Flash rate
- Coverage switch to 2.5m on the wall variant and 3m on the ceiling variant.
- Use where current consumption is a key consideration
- Ideal for bedrooms, bathrooms and toilets
- Switch flash rate to 0.5Hz to reduce current consumption
- Reduces power consumption by up to 50%

# Specifier's guide

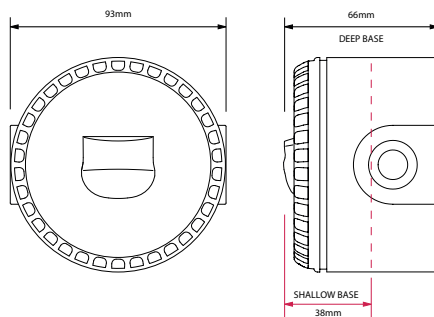
## 4.3 Accessories

### Technical specification

Code	FXSOLWRS	FXSOLCWS
Mounting type	Wall	Ceiling
Voltage	9 - 60VDC	9 - 60VDC
Current	10 - 25mA dependent on setting	10 - 25mA dependent on setting
Coverage (y)	7.5m on high output settings 2.5m on low output settings	7.5m on high output settings 2.5m on low output settings
Mounting height (x)	2.4m (max)	3m (max)
Coverage volume code	W-2.4-7.5	C-3-7.5
Coverage volume	135m <sup>3</sup> (15m <sup>3</sup> )	132m <sup>3</sup> (21m <sup>3</sup> )
Flash rate	1Hz (Switchable to 0.5Hz)	1Hz (Switchable to 0.5Hz)
Operating temperature	-25°C to +70°C	-25°C to +70°C
Monitoring	Reverse polarity	Reverse polarity
Protection	IP33C shallow base, IP65 deep base	IP33C shallow base, IP65 deep base
Weight	100g	100g
Body colour	Red	White
Flash colour	Red	Red

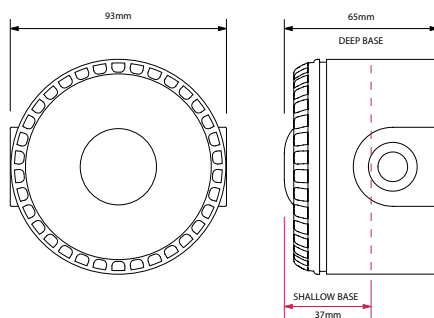
### Dimensions

#### FXSOLWRS



	Dia (mm)	D (mm)
Shallow base	93	38
Deep base	93	66

#### FXSOLCWS



	Dia (mm)	D (mm)
Shallow base	93	37
Deep base	93	65

### Catalogue numbers

Description	Code
Solista LX wall red body shallow base	FXSOLWRS
Solista LX wall red body deep base	FXSOLWRD
Solista LX ceiling white body shallow base	FXSOLCWS
Deep base for FXSOLCWS	FX000WWP