

# CAD10T-ENC - Sound projector



The CAD10T-ENC is a rugged sound projector manufactured in an aluminium extruded case finished in white (RAL 9010). The robust bi-directional speaker has a fitted U-bracket and incorporates high quality dual cone driver unit giving both clear speech and excellent background music reproduction for many applications both indoors and out.

The rugged construction, makes the CAD10T-ENC suitable for use in corridors, passageways, shopping centers, prisons, car parks, railway stations and other public places.

## Features and benefits

- Up to 100dB(A)
- Up to 10 watts with multiple tapings
- IPX6 rated
- Simple U bracket mount
- Rugged aluminium construction

# Specifier's guide

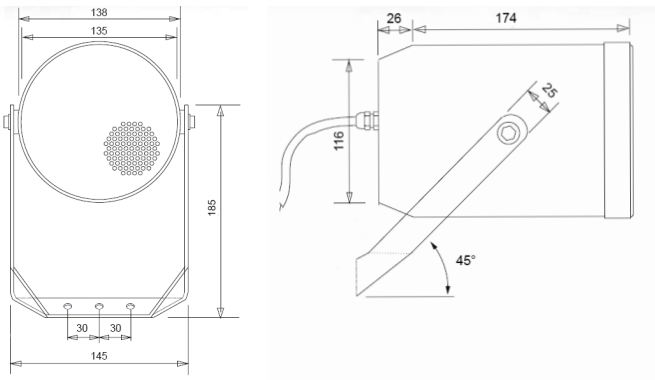
## 6.3 Speakers

### Technical specification

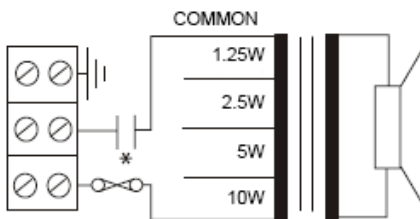
Code	CAD10T-ENC
Maximum Rated Power	10W
Material	Aluminum
Colour	White RAL9016
IP Rating	IPX6
Average S.P.L	90dB
Net Weight	1.3Kg
Temperature Range	- 25°C to + 70°C
Relative Humidity	≤95
Effective Frequency Range	120-180,000Hz
Tappings @70V	5/2.5/1.25/0.375W
Tappings @100V	6/3/1.5/0.75/0.25W
Driver Impedance	8 Ohms

### Dimensions

Description	Dia (mm)	D (mm)
Sound projectors	138	204



### Circuit Diagram



### Catalogue numbers

Description	Code
Projector speaker	CAD10T-ENC