

BiWire Ultra range:

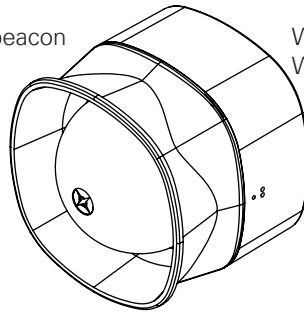
(Conventional compatible)



0359-CPR-00419

Compliance EN54-3; EN54-23:2010

Wall sounder/beacon
 Wall sounder



Wall sounder/beacon IP66
 Wall sounder IP66

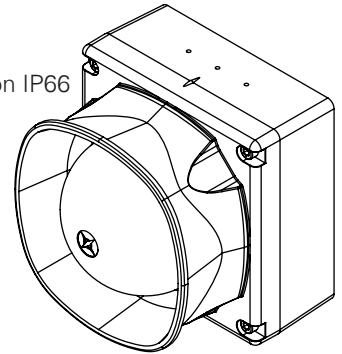
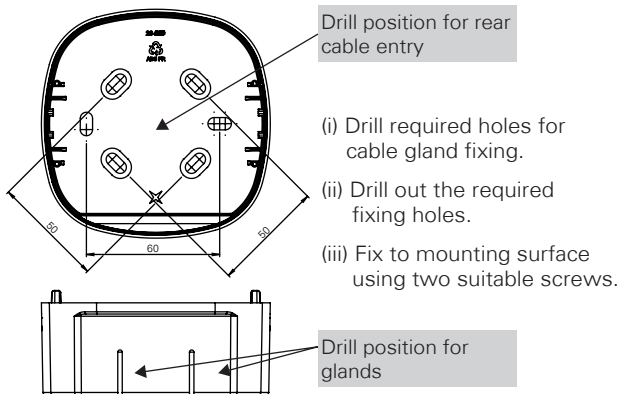


Table 1. Specification

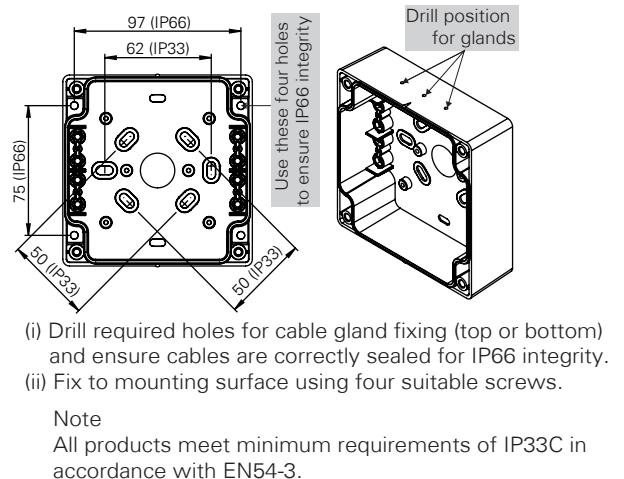
Feature	Value
Supply voltage (BiWire alarm)	25.5~35 Vdc
Supply voltage (BiWire standby)	18~25.5 Vdc
Supply voltage (conventional)	18~35 Vdc
Cable size/type	0.5~2.5mm ² /FIRETUF, FP200 or MICC
Standby current (BiWire mode)	<15µA
Current (high volume)	Sdr only = 4.7mA, AV = 11mA
Current (low volume)	Sdr only = 2.6mA, AV = 8.7mA

Feature	Value
Sound output (high volume)	99 +/- 3dB(A) : All tones
Sound output (low volume)	89 +/- 3dB(A) : All tones
Operating temperature	-25 to +70°C (93% ± 3%RH)
Material	ABS FR plastic
Environmental category	Type A= IP21C/ Type B= IP66
Tones	3, See section 3
Flash rate	0.5Hz (N/A to FXN009(WP), EF009(WP))
Flash on period	60ms (N/A to FXN009(WP), EF009(WP))

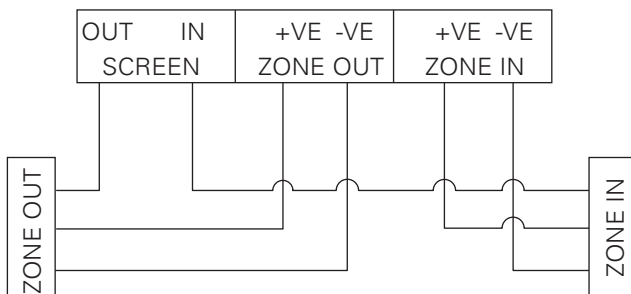
1a. Mounting base (IP21C)



1b. Mounting base (IP66C)

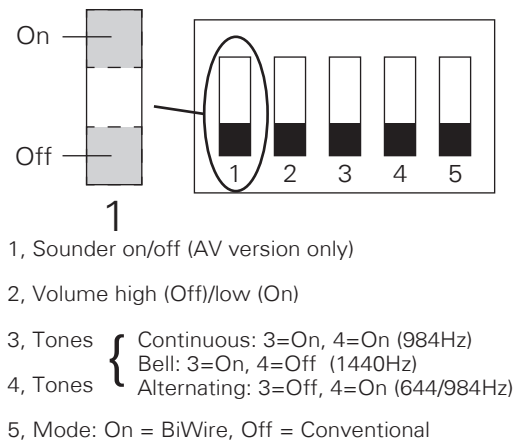


2. Connection details



Screen must be continuous along entire length of loop.

3. Switch position meaning

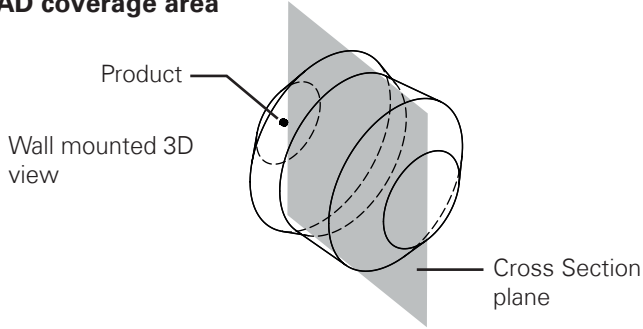


Technical data

Effective September 2014

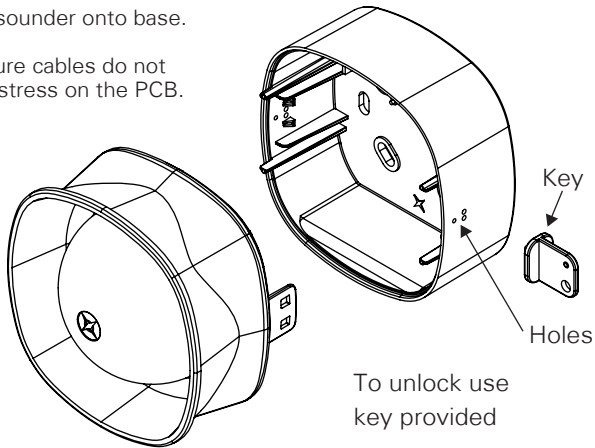
FXN009SB/EF009SB
FXN009SBWP/EF009SBWP
FXN009/EF009
FXN009WP/EF009WP

4. VAD coverage area

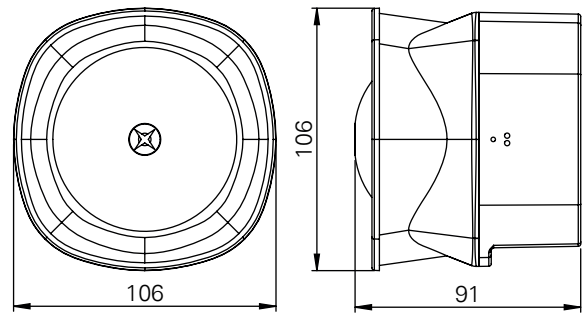


5a. Sounder assembly

- (i) Clip sounder onto base.
- (ii) Ensure cables do not put stress on the PCB.

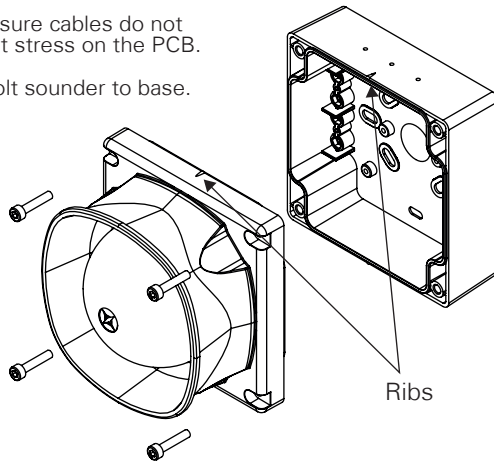


5b. Dimensions

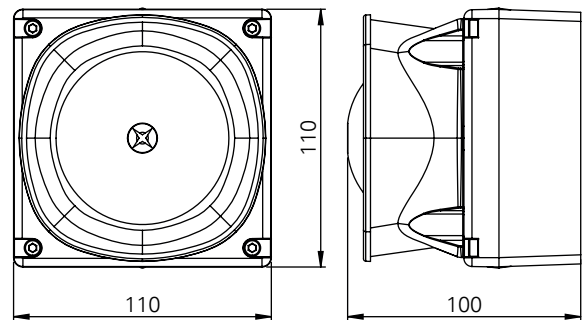


6a. Sounder assembly (WP)

- (i) Location ribs must align on base and sounder.
- (ii) Ensure cables do not put stress on the PCB.
- (iii) Bolt sounder to base.



6b. Dimensions (WP)



Manufactured By

Cooper Lighting and Safety Ltd
Wheatley Hall Road
Doncaster
South Yorkshire
DN2 4NB
United Kingdom
www.cooperfire.com

Technical

Tel: +44 (0)1302-303350
techsupport@cooperfire.com

Eaton Industries Manufacturing GmbH

Electrical Sector EMEA
Route de la Longeraie 7
1110 Morges, Switzerland
Eaton.eu