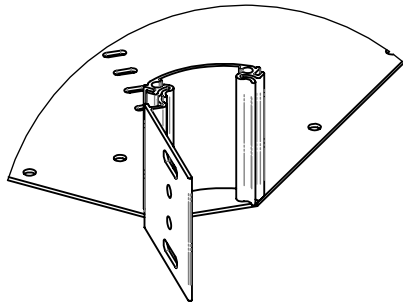
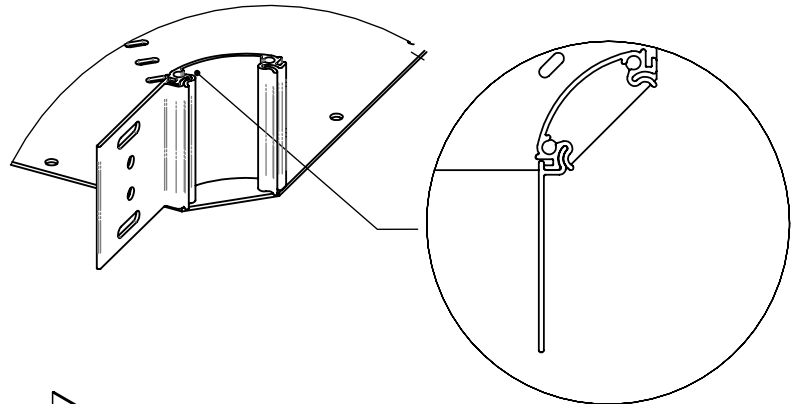


KwikSplice™ cable tray system & Redi-Rail series Universal fitting assembly

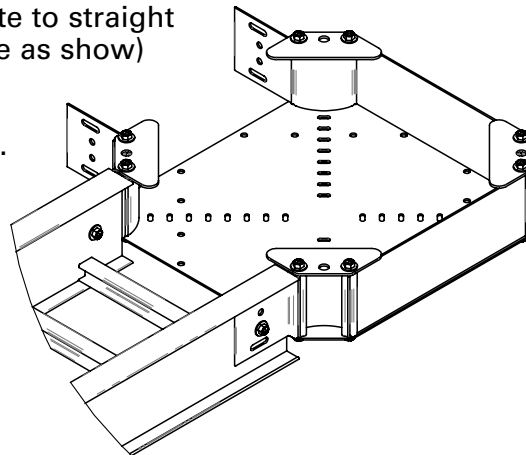
1 Orient edge of splice plate into corner radius post.



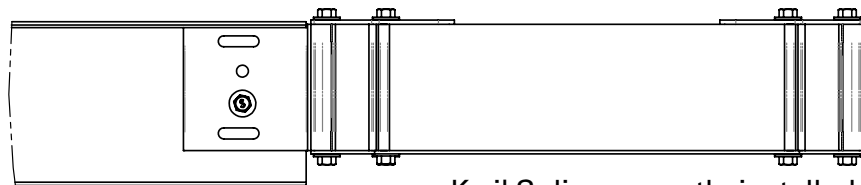
2 Rotate splice into groove.



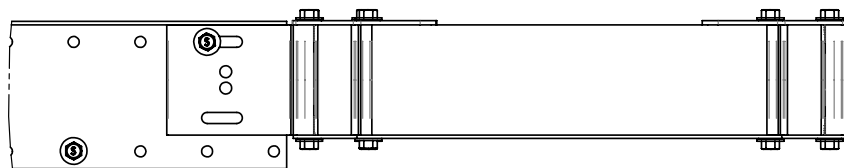
3 Connect splice plate to straight section (KwikSplice as show) with single bolt. See below for installed side view.



Detail top view:
Splice fully engaged
in corner post



KwikSplice correctly installed



Redi-Rail correctly installed

Eaton
1000 Eaton Boulevard
Cleveland, OH 44122
United States
Eaton.com

© 2015 Eaton
All Rights Reserved
Printed in USA
Publication No. CTIS-20
February 2015

Eaton's B-Line Business
509 West Monroe Street
Highland, IL 62249
United States
Phone: 800-851-7415

www.cooperline.com/contactus

Eaton is a registered trademark.

All other trademarks are property of their respective owners.