

You asked and we listened TOLCO Fig. 29 now available in additional pipe size ranges

TOLCO Fig. 29 is now available in an extended size range from $\frac{3}{4}$ ", 1" and $1\frac{1}{4}$ ". It is ideal for double offset hanger and restrainer for CPVC plastic pipe in fire protection and suppression systems, plumbing and other mechanical applications.

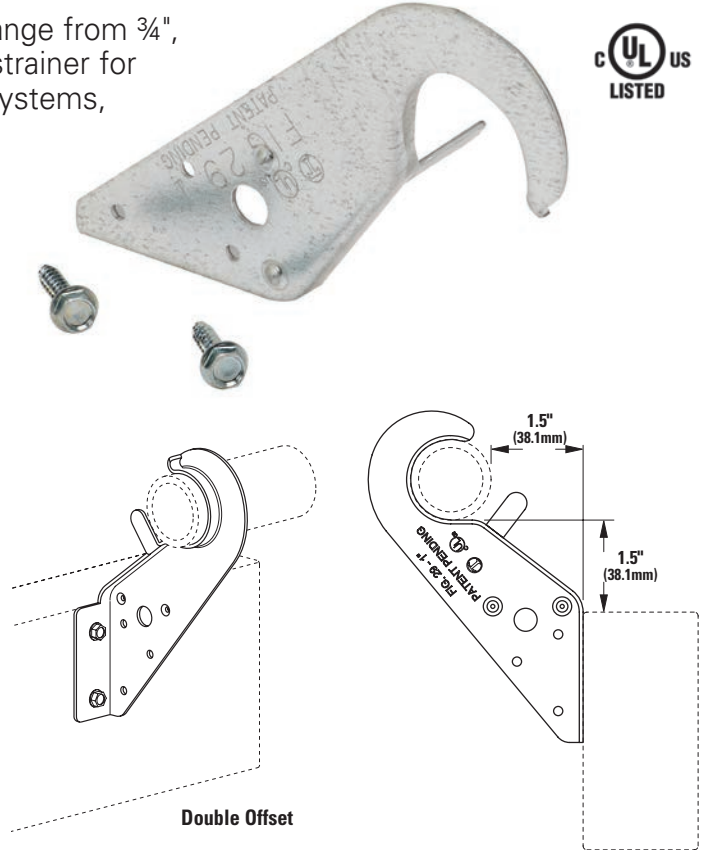


Features:

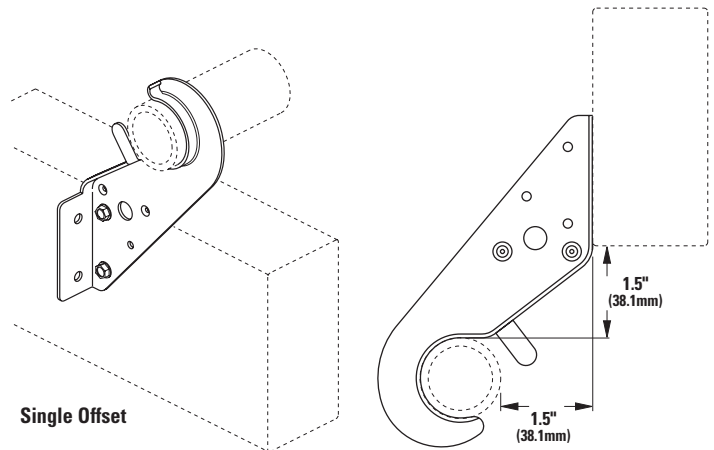
- Easily installs by eliminating the need for wood block extension and allow retrofit attachment of hanger to sprinkler pipe
- Provides double offset $1\frac{1}{2}$ " (38.1mm) x $1\frac{1}{2}$ " (38.1mm) from mounting surface which helps eliminate abrasion
- Can be used as a single offset hanger by aligning "dimples" with top of mounting surface and utilizing two fasteners in two of the three holes provided
- Thumb tab provides protection to restrain pipe in rough job site conditions; but is not required to be bent for listed installation
- Attaches easily to wood structure with two special #10 x 1" hex head self-threading screws furnished with product
- Pre-galvanized steel provides corrosion resistance

Certifications and approvals:

- UL Listed for US and Canada (cUL) as a hanger and restrainer to support thermoplastic fire sprinkler systems*
- Meets and exceeds requirements of NFPA 13, 13R and 13D



Double Offset



Single Offset

Part No.	CPVC Pipe size		Max Hanger Spacing		Approx. Wt./100	
	in.	(mm)	Ft.	(m)	lbs.	(kg)
29-3/4	3/4"	(20)	5'-6"	(1.67)	18	(8.1)
29-1	1"	(25)	6'-0"	(1.83)	19	(8.6)
29-1 1/4	1 1/4"	(32)	6'-6"	(1.98)	24	(10.8)

*Not UL or cUL listed for use with metallic pipe.

For additional information, visit Eaton.com/TOLCO.



Powering Business Worldwide

Follow us on social media to get the latest product and support information.



Eaton is a registered trademark.

All other trademarks are property of their respective owners.

© 2021 Eaton
All Rights Reserved
Printed in USA
Publication No. SA310020EN
July 2021