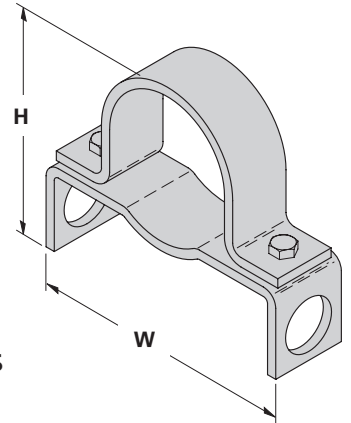


# TOLCO™ Fig. 3000 – CPVC Sway Brace Attachment

Contact your local distributor or customer service for availability & pricing  
TOLCO™ offers complete solutions for your CPVC applications with B-Line series hangers, branch line restraints, and sway brace attachments



- The Fig. 3000 is UL Listed as a sway brace to be used with both CPVC and (IPS) steel fire sprinkler pipe, in 1" through 3" diameters.
- The unique design does not compress the CPVC pipe, and the brace pipe to system pipe offset keeps the brace pipe from leaving harmful residue and oils on the CPVC pipe.
- Field adjustable, making critical pre-engineering of bracing pipe length unnecessary and requires no threading of bracing pipe.
- Comes assembled and ready for installation.
- Fig. 3000 has built-in visual verification of correct installation.
- Pipe size to be braced: 1" (25mm) thru 3" (80mm) IPS.
- Pipe size used for bracing: 1" (25mm) Schedule 40 IPS.
- Used in conjunction with a Fig. 900 Series fitting and joined together with bracing pipe per NFPA 13, forming a complete sway brace assembly.
- Underwriters Laboratories Listed in the USA (UL) and Canada (cUL).
- Electro-Galvanized.

*Patent Pending*

Part No.	Pipe Size	Dimensions		Max. Design Loads (UL Listed)
		W Width	H Height	
Fig. 3000-1	1"	4.25"	3.78"	1000 lbs
Fig. 3000-1¼	1¼"	4.50"	4.13"	1000 lbs
Fig. 3000-1½	1½"	4.75"	4.37"	1000 lbs
Fig. 3000-2	2"	6.00"	4.75"	1000 lbs
Fig. 3000-2½	2½"	6.50"	5.25"	1000 lbs
Fig. 3000-3	3"	7.00"	5.88"	1000 lbs



Powering Business Worldwide

Follow us on social media to get the latest product and support information.



Eaton is a registered trademark.

All other trademarks are property of their respective owners.